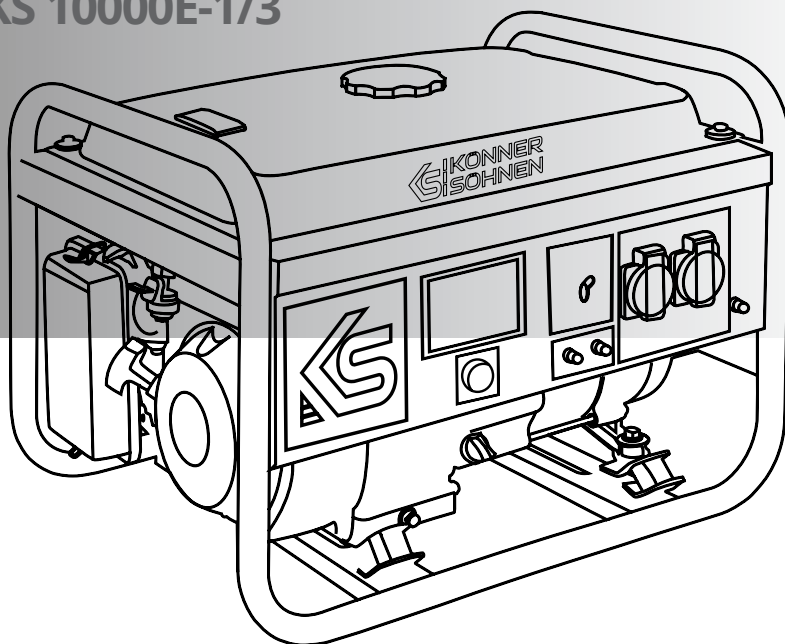


GASOLINE GENERATOR EXPLODED VIEW

KS 9000E G, KS 10000E, KS 10000E-3,
KS 10000E-1/3



TRADITIONELLE DEUTSCHE QUALITÄT

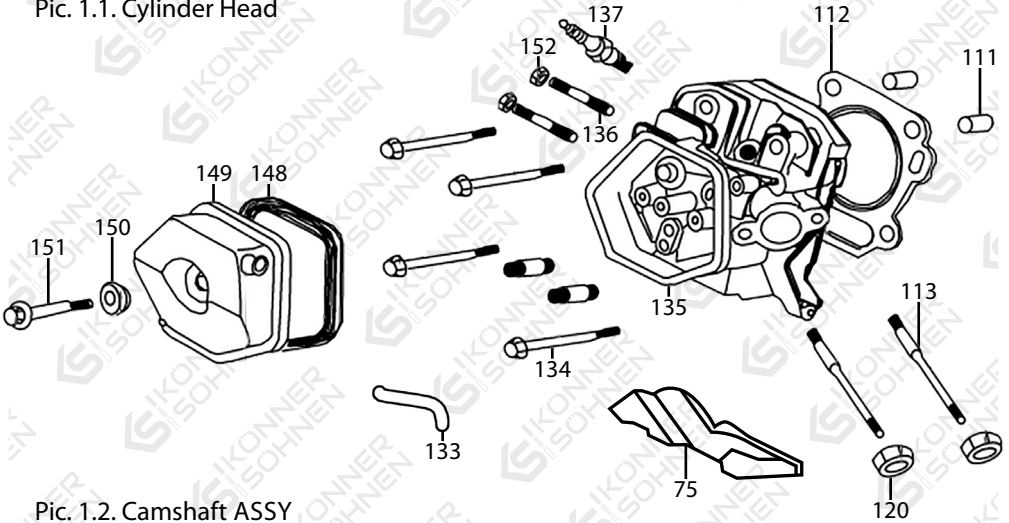
CONTENTS

1. Parts of engine	2
2. Parts of starter motor	7
3. Parts of alternator	7
4. Parts of panel	8
5. Parts of LPG GEARBOX	8
6. Parts of cover shell	9
7. Parts of fuel tank	10
8. Whole set, gasoline engine	10
9. Electric schemes	20

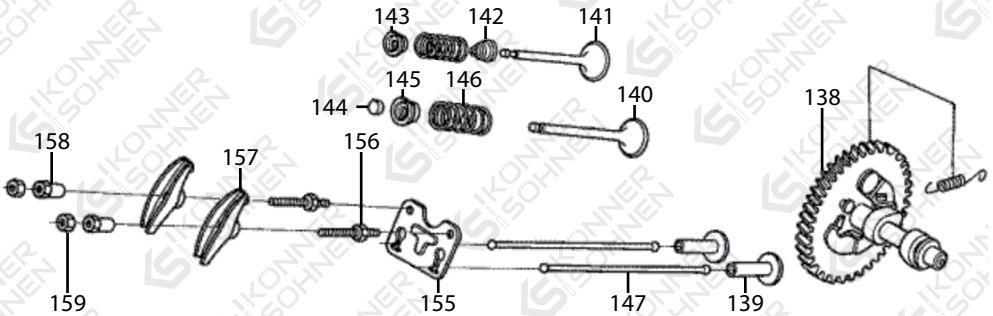
! This material is for informational purposes only and is not an instruction. The connection of the equipment in each case must be performed by a certified electrician, in accordance with local laws and regulations. Before connecting, we urge you to read the recommendations in the manual for the generator. The manufacturer is not responsible for improper connection of equipment, and is not responsible for possible material and physical damage that may occur as a result of improper installation, connection or operation of equipment.

1. PARTS OF ENGINE

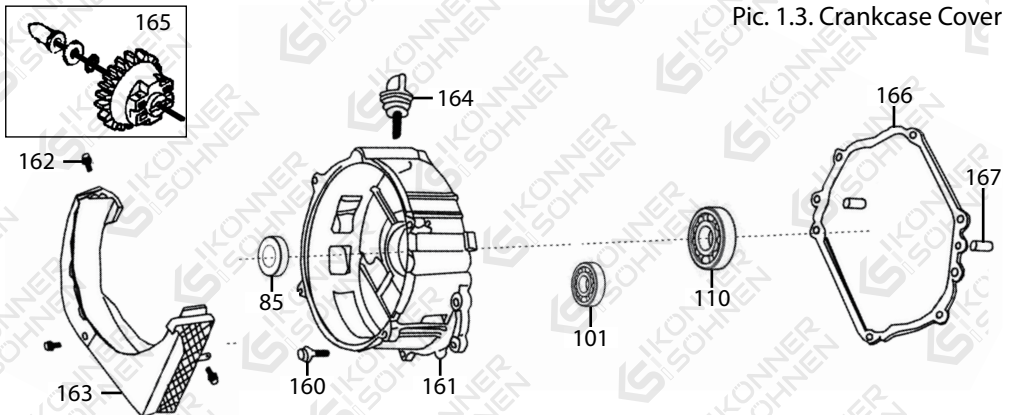
Pic. 1.1. Cylinder Head



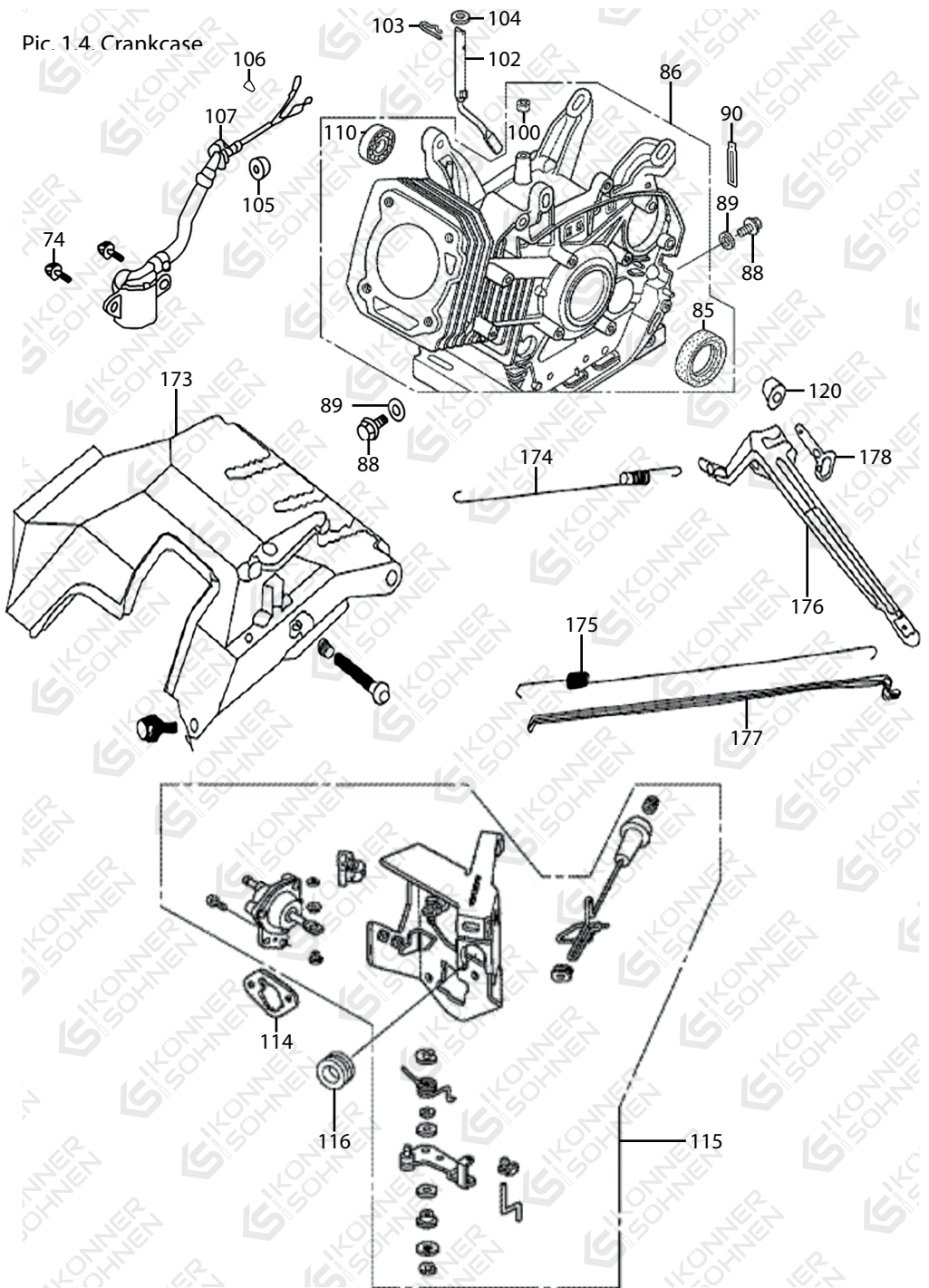
Pic. 1.2. Camshaft ASSY



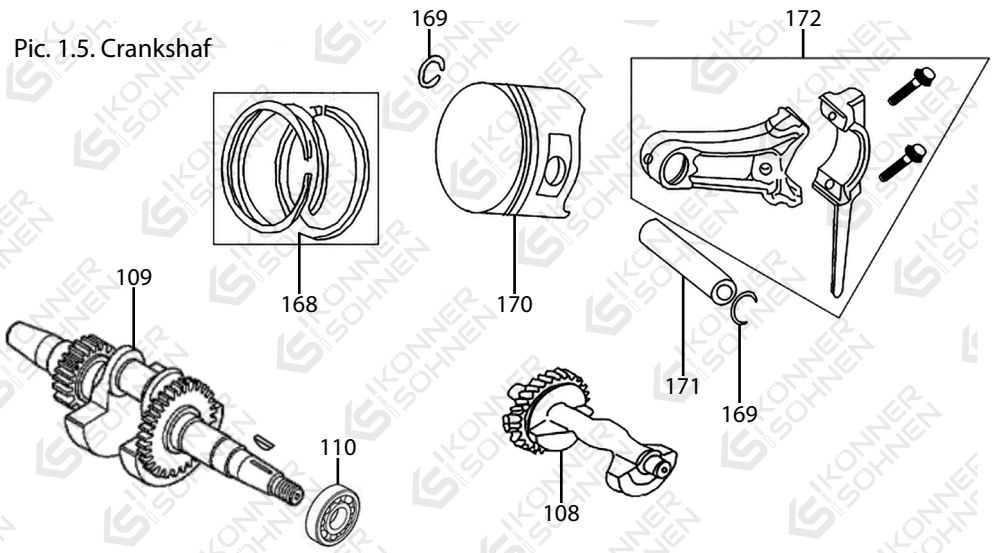
Pic. 1.3. Crankcase Cover



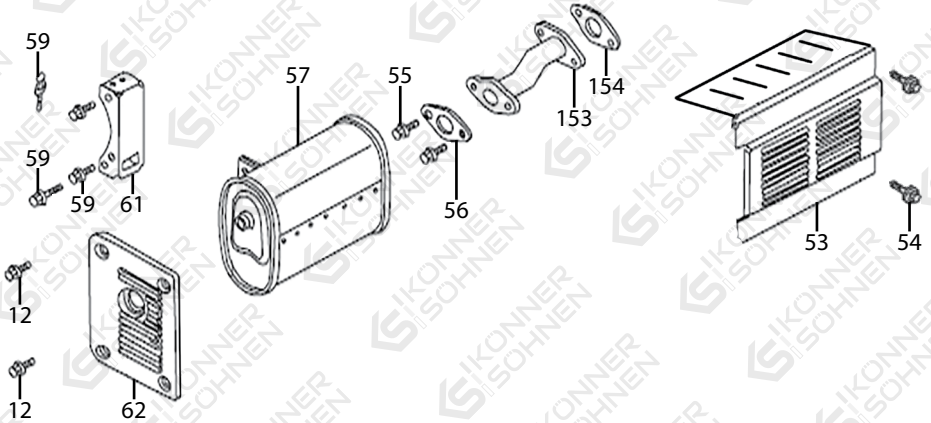
Pic. 1.4. Crankcase



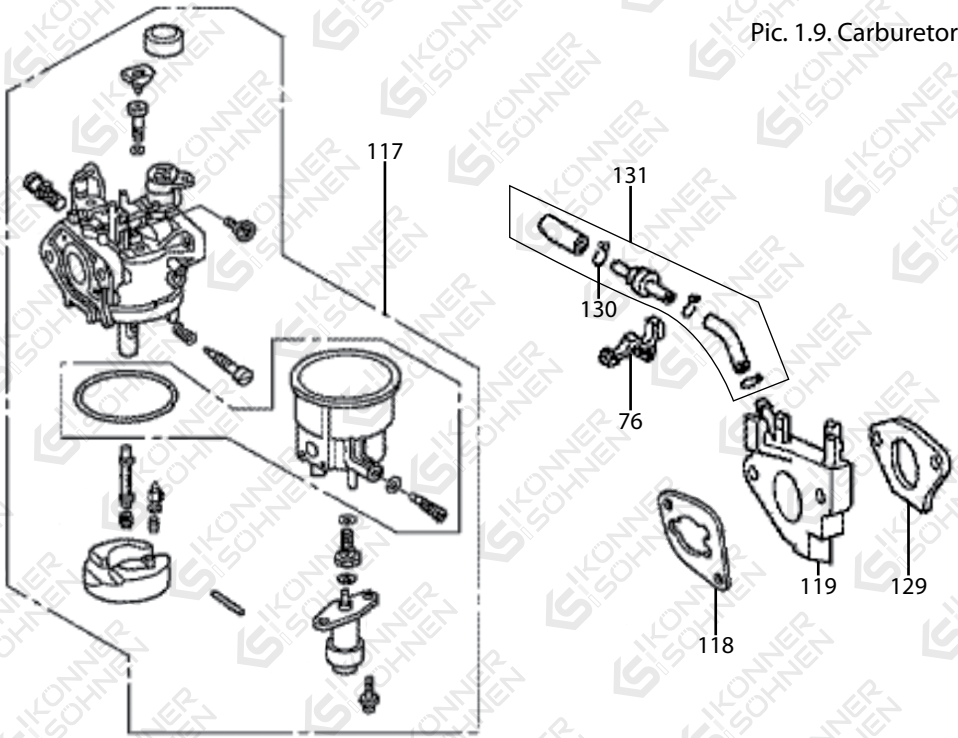
Pic. 1.5. Crankshaf



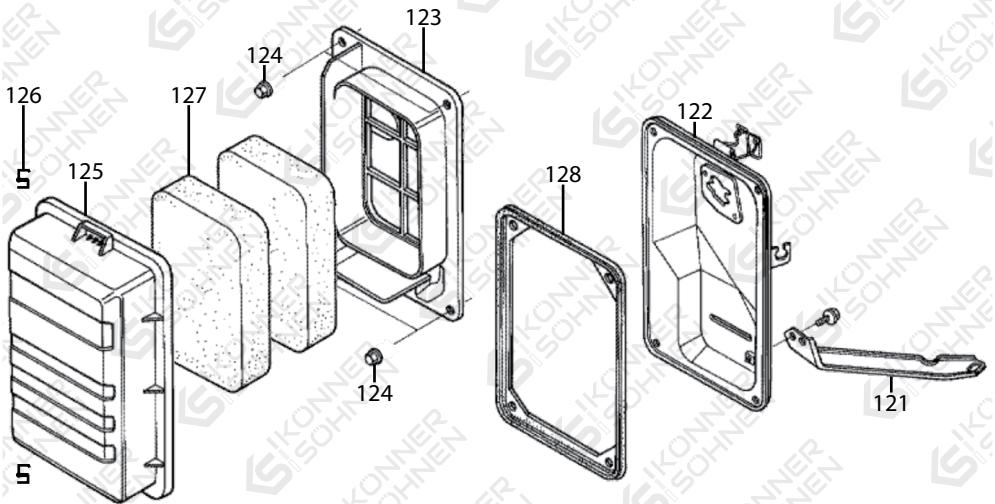
Pic. 1.6. Muffler



Pic. 1.9. Carburetor

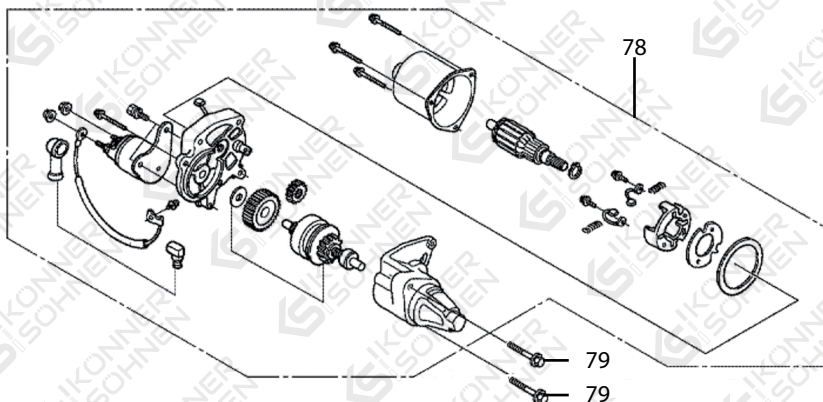


Pic. 1.10. Air Cleaner



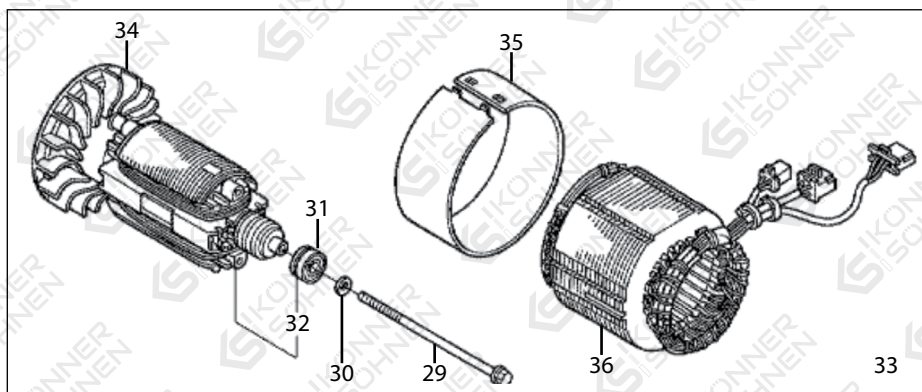
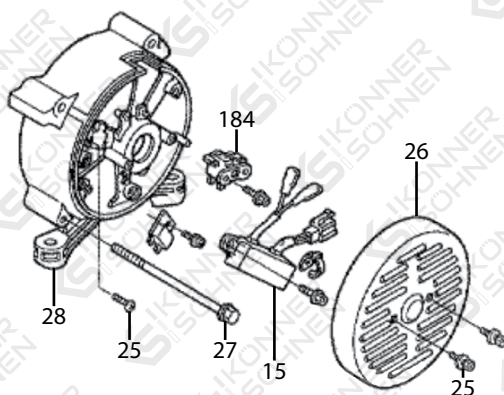
2. PARTS OF STARTER MOTOR

Pic. 2.1.



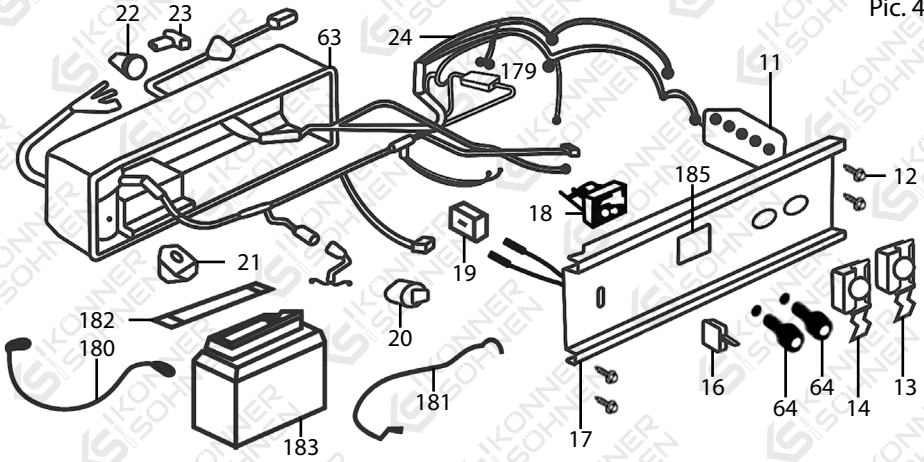
3. PARTS OF ALTERNATOR

Pic. 3.1. Rotor / Stator



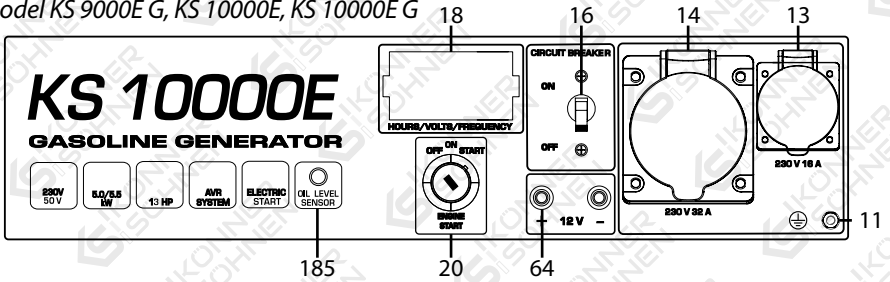
4. PARTS OF PANEL

Pic. 4.1.



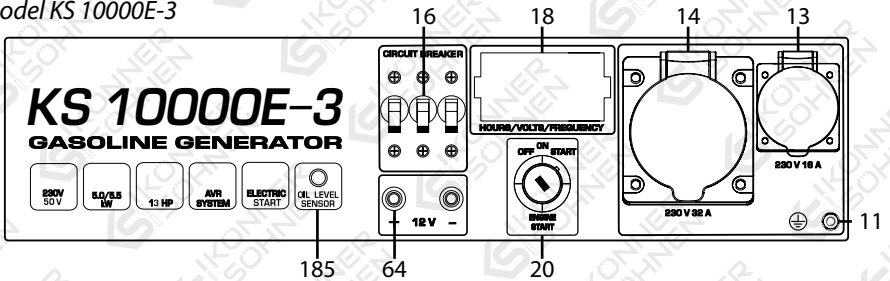
Pic. 4.2.

for model KS 9000E G, KS 10000E, KS 10000E G

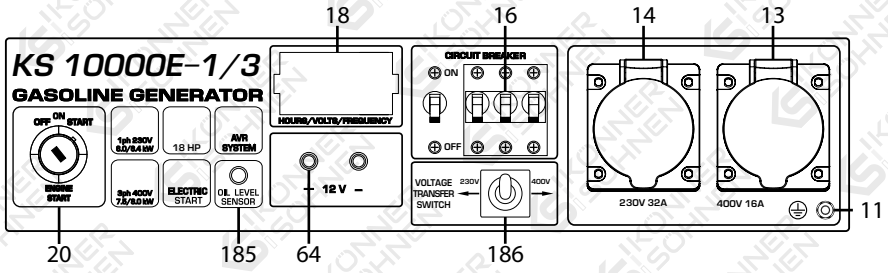


Pic. 4.3.

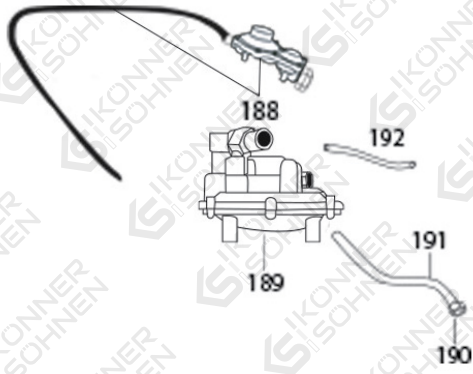
for model KS 10000E-3



Pic. 4.4.
for model KS 10000E-1/3

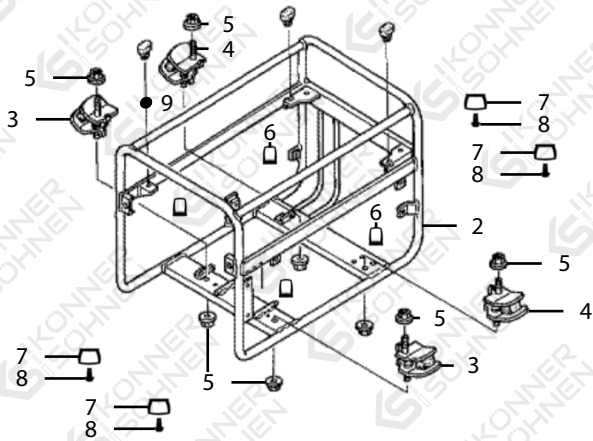


5. PARTS OF LPG GEARBOX



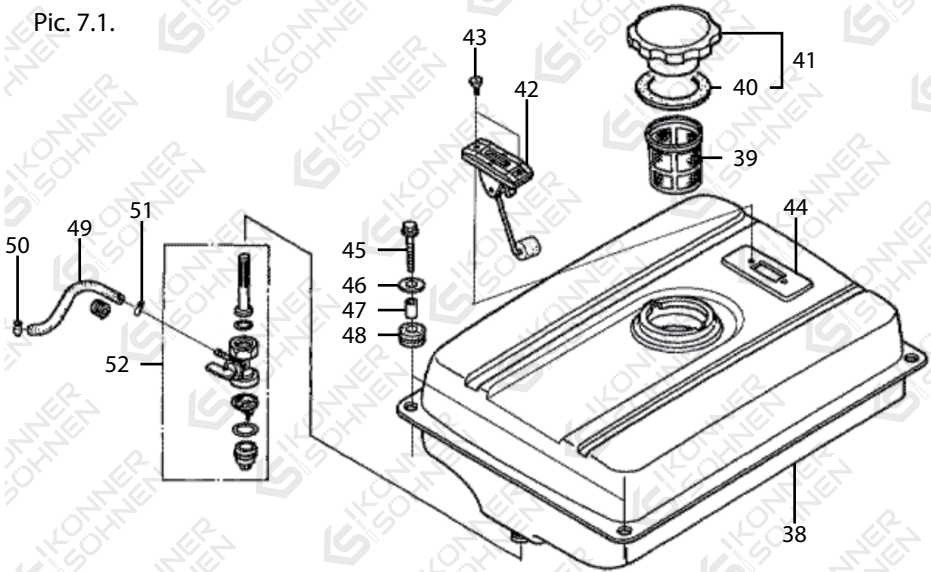
6. PARTS OF COVER SHELL

Pic. 6.1.



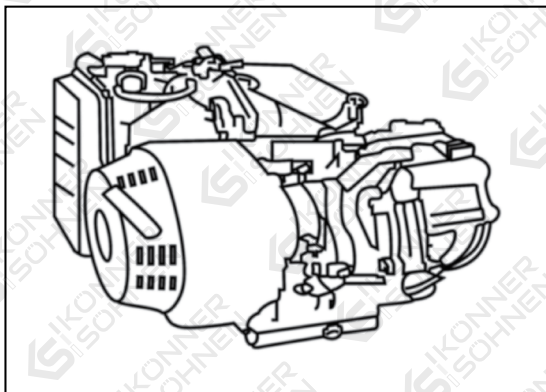
7. PARTS OF FUEL TANK

Pic. 7.1.



8. WHOLE SET, GASOLINE ENGINE

Pic. 8.1.



No	REF. No	DESCRIPTION	QTY
1	KS 10000E-1	Gasoline Engine, Whole set	1
2	KS 10000E-2	Frame COMP	1
3	KS 10000E-3	Bottom Rubber A	2
4	KS 10000E-4	Bottom Rubber B	2
5	KS 10000E-5	Flange Nut M8	12
6	KS 10000E-6	Flange Nut M6	4
7	KS 10000E-7	Cushion, Frame	4
8	KS 10000E-8	Bolt M6*20	4
9	KS 10000E-9	Rubber Pad, Frame	2
11	KS 10000E-11	Earth Terminal Set	1
12	KS 10000E-12	Fange Bolt M6*12	8
13	KS 10000E-13	Receptacle	1
14	KS 10000E-14	Receptacle	1
15	KS 10000E-15	Voltage Regulator	1
16	KS 10000E-16	Circuit Breaker	1
17	KS 10000E-17	Control Panel	1
18	KS 10000E-18	LCD display	1
19	KS 10000E-19	Diode ASSY	1
20	KS 10000E-20	Engine Switch	1
21	KS 10000E-21	Boot, Engine switch	1

No	REF. No	DESCRIPTION	QTY
22	KS 10000E-22	Boot, Main wire harness	1
23	KS 10000E-23	Boot, AC output wire	1
24	KS 10000E-24	Wire Harness ASSY	1
25	KS 10000E-25	Flange Bolt M5*12	2
26	KS 10000E-26	Alternator Cover	1
27	KS 10000E-27	Flange Bolt M6*175	4
28	KS 10000E-28	Supporting Stand	1
29	KS 10000E-29	Bolt M10*1.25*265	1
30	KS 10000E-30	Plain washer 10	1
31	KS 10000E-31	Bearing 6207-2RS	1
32	KS 10000E-32	Rotor COMP	1
33	KS 10000E-33	Stator & Rotor ASSY	1
34	KS 10000E-34	Generator Fan	1
35	KS 10000E-35	Stator Cover	1
36	KS 10000E-36	Stator ASSY	1
38	KS 10000E-38	Fuel Tank	1
39	KS 10000E-39	Fuel Filter	1
40	KS 10000E-40	Packing Ring	1
41	KS 10000E-41	Fuel Filler Cap COMP	1
42	KS 10000E-42	Fuel Sensor	1

No	REF. No	DESCRIPTION	QTY
43	KS 10000E-43	Screw M5*1	2
44	KS 10000E-44	Gasket, Fuel tank	1
45	KS 10000E-45	Flange Bolt M6*22	4
46	KS 10000E-46	Washer	4
47	KS 10000E-47	Collar	4
48	KS 10000E-48	Cushion	4
49	KS 10000E-49	Outlet pipe 4.5*165	1
50	KS 10000E-50	Tube Clip	2
51	KS 10000E-51	Rubber, Fuel tube	1
52	KS 10000E-52	Fuel Cock	1
53	KS 10000E-53	Muffler Protector	1
54	KS 10000E-54	Flange Bolt M6*14	4
55	KS 10000E-55	Flange Bolt M8*32	2
56	KS 10000E-56	Gasket (B) EX. Pipe	1
57	KS 10000E-57	Muffler	1
59	KS 10000E-59	Flange Bolt M8*16	4
61	KS 10000E-61	Muffler Stay COMP	1
62	KS 10000E-62	Side Muffler Protector	1
63	KS 10000E-63	Control Panel Case	1
64	KS 10000E-64	DC Output Post	2

No	REF. No	DESCRIPTION	QTY
65	KS 10000E-65	Wheel ASSY KS 5-10 Kit	1
71	KS 10000E-71	Recoiler COMP	1
72	KS 10000E-72	Flange Bolt M6*8	3
73	KS 10000E-73	Fan, Cover COMP	1
74	KS 10000E-74	Flange Bolt M6*12	13
75	KS 10000E-75	Shroud COMP	1
76	KS 10000E-76	Clip, Oil blocker	1
77	KS 10000E-77	Grommet Drain Hole	1
78	KS 10000E-78	Start Motor	1
79	KS 10000E-79	Flange Bolt M8*35	2
80	KS 10000E-80	Flange Nut M16	1
81	KS 10000E-81	Starting Pulley	1
82	KS 10000E-82	Cooling Fan	1
83	KS 10000E-83	Key	1
84	KS 10000E-84	Flywheel COMP	1
85	KS 10000E-85	Oil Seal, 35*52*8	2
86	KS 10000E-86	Crank Case ASSY	1
87	KS 10000E-87	Oil blocker	1
88	KS 10000E-88	Bolt, Drain plug	2
89	KS 10000E-89	Washer, Drain plug	2

No	REF. No	DESCRIPTION	QTY
90	KS 10000E-90	Clip, Wire	1
91	KS 10000E-91	Clamper	1
93	KS 10000E-93	Bolt M6*35	2
95	KS 10000E-95	Coil Assy, Fuel Cut	
97	KS 10000E-97	Cord Stop Switch	1
98	KS 10000E-98	Grommet Cord	1
99	KS 10000E-99	Coil ASSY, Ignition	1
100	KS 10000E-100	Oil Seal, 8*14*5	1
101	KS 10000E-101	Radial Ball Bearing (6202)	1
102	KS 10000E-102	Shaft, Governor arm	1
103	KS 10000E-103	Pin, Lock, 10mm	1
104	KS 10000E-104	Washer, 8.2*170.8	1
105	KS 10000E-105	Flange Nut M10	1
106	KS 10000E-106	O-ring, 14mm	1
107	KS 10000E-107	Switch ASSY, Oil level	1
108	KS 10000E-108	Balancer	1
109	KS 10000E-109	Crankshaft	1
110	KS 10000E-110	Radial Ball Bearing (6207)	2
111	KS 10000E-111	Pin, Dowel 12*20	2
112	KS 10000E-112	Gasket, Cylinder head	1

No	REF. No	DESCRIPTION	QTY
113	KS 10000E-113	Bolt Head, 8*106	2
114	KS 10000E-114	Packing, Air cleaner	1
115	KS 10000E-115	Stay ASSY, Manual choke	1
116	KS 10000E-116	Crommet Fender	1
117	KS 10000E-117	Carburetor ASSY	1
118	KS 10000E-118	Packing, Carburetor	1
119	KS 10000E-119	Heat Isolator, Carburetor	1
120	KS 10000E-120	Flange Nut M6	2
121	KS 10000E-121	Stay, Air cleaner	1
122	KS 10000E-122	Case COMP, Air cleaner	1
123	KS 10000E-123	Separator, Air cleaner	1
124	KS 10000E-124	Flange Nut M5	6
125	KS 10000E-125	Cover COMP, Air cleaner	1
126	KS 10000E-126	Clip, Air Cleaner ware	2
127	KS 10000E-127	Element, Air cleaner	2
128	KS 10000E-128	Seal, Air cleaner	1
129	KS 10000E-129	Packing, Heat isolator	1
130	KS 10000E-130	Clip, Tube	4
131	KS 10000E-131	Valve, Dashpot check ASSY	1
133	KS 10000E-133	Tube, Breather	1

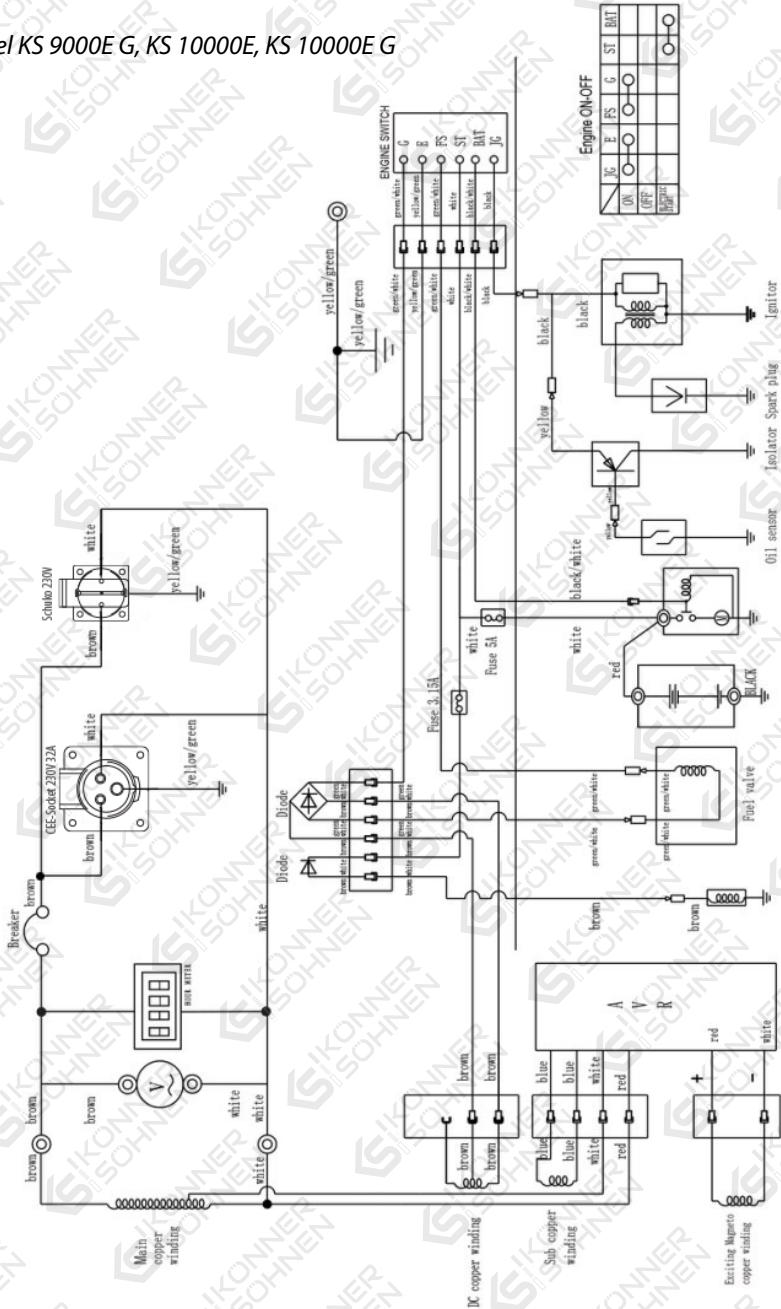
No	REF. No	DESCRIPTION	QTY
134	KS 10000E-134	Flange Bolt M10*80	4
135	KS 10000E-135	Head COMP, Cylinder	1
136	KS 10000E-136	Bolt head, M8*34	2
137	KS 10000E-137	Spark Plug	1
138	KS 10000E-138	Camshaft	1
139	KS 10000E-139	Valve lifter	2
140	KS 10000E-140	Intake Valve	1
141	KS 10000E-141	Exhaust Valve	1
142	KS 10000E-142	Seat, Valve spring	1
143	KS 10000E-143	Retainer, EX. Valve spring	1
144	KS 10000E-144	Rotor, Valve	1
145	KS 10000E-145	Retainer, In. Valve spring	1
146	KS 10000E-146	Valve Spring	2
147	KS 10000E-147	Push Rod	2
148	KS 10000E-148	Exhaust Piper	1
149	KS 10000E-149	Cover COMP, Head	1
150	KS 10000E-150	Wahser COMP, Head cover	1
151	KS 10000E-151	Bolt, Head cover	1
152	KS 10000E-152	Nut M8	2
153	KS 10000E-153	Pipe COMP EX.	1

No	REF. No	DESCRIPTION	QTY
154	KS 10000E-154	Gasket (B) EX. Pipe	1
155	KS 10000E-155	Plate, Push rod guide	1
156	KS 10000E-156	Bolt, Pivot	2
157	KS 10000E-157	Arm, Valve rocker	2
158	KS 10000E-158	Nut, Valve rocker arm	2
159	KS 10000E-159	Nut, Pivot adjusting	2
160	KS 10000E-160	Flange Bolt M8*40	7
161	KS 10000E-161	Crankcase Cover	1
162	KS 10000E-162	Flange Bolt M5*10	3
163	KS 10000E-163	Fan Cover	1
164	KS 10000E-164	Cap ASSY, Oil filler	1
165	KS 10000E-165	Covernor Kit	1
166	KS 10000E-166	Packing, Case cover	1
167	KS 10000E-167	Pin, Dowel 8*12	2
168	KS 10000E-168	Piston Ring Set	1
169	KS 10000E-169	Clip, Piston pin	2
170	KS 10000E-170	Piston	1
171	KS 10000E-171	Pin, Piston	1
172	KS 10000E-172	Connecting Rod ASSY	1
173	KS 10000E-173	Metal cover	1

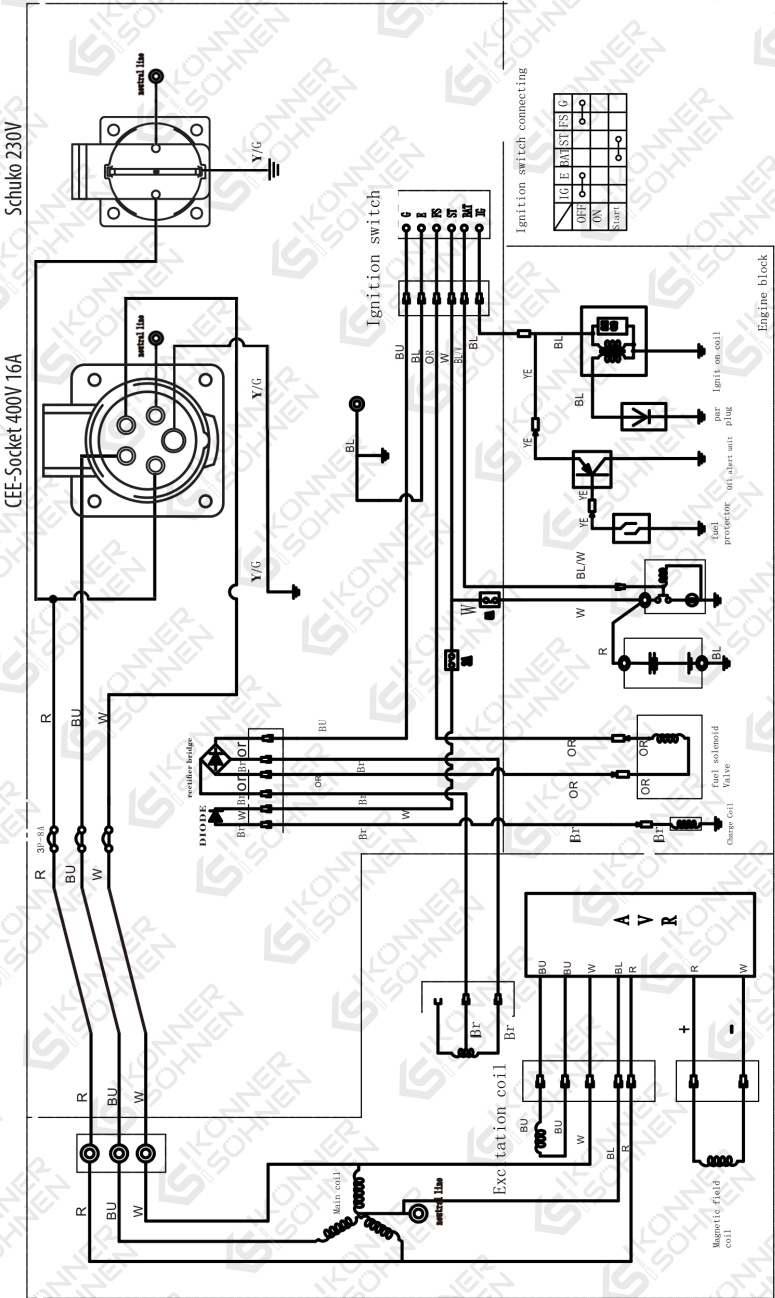
No	REF. No	DESCRIPTION	QTY
174	KS 10000E-174	Governor Spring	1
175	KS 10000E-175	Spring, Throttle return	1
176	KS 10000E-176	Governor Arm	1
177	KS 10000E-177	Governor Rod	1
178	KS 10000E-178	Bolt, Governor arm	1
179	KS 10000E-179	Fuse	1
180	KS 10000E-180	Battery Wire, Anode	1
181	KS 10000E-181	Battery Wire, Cathode	1
182	KS 10000E-182	Battery Cover	1
183	KS 10000E-183	Battery	1
184	KS 10000E-184	Brush ASSY	1
185	KS 10000E-185	Oil indicator	1
186	KS 10000E-1/3-186	VTS transfer switch	1
188	KS 9000E G-188	LPG inlet tube with reducing valve	1
189	KS 9000E G-189	De-compressor	1
190	KS 9000E G-190	Clip, pressure tube	1
191	KS 9000E G-191	Pressure tube	1
192	KS 9000E G-192	Exhaust tube	1

9. ELECTRIC SCHEMES

Pic. 8.1.
for model KS 9000E G, KS 10000E, KS 10000E G



Pic. 8.2.
for model KS 1000E-3



Schuko 230V

CEE-Socket 400V 16A

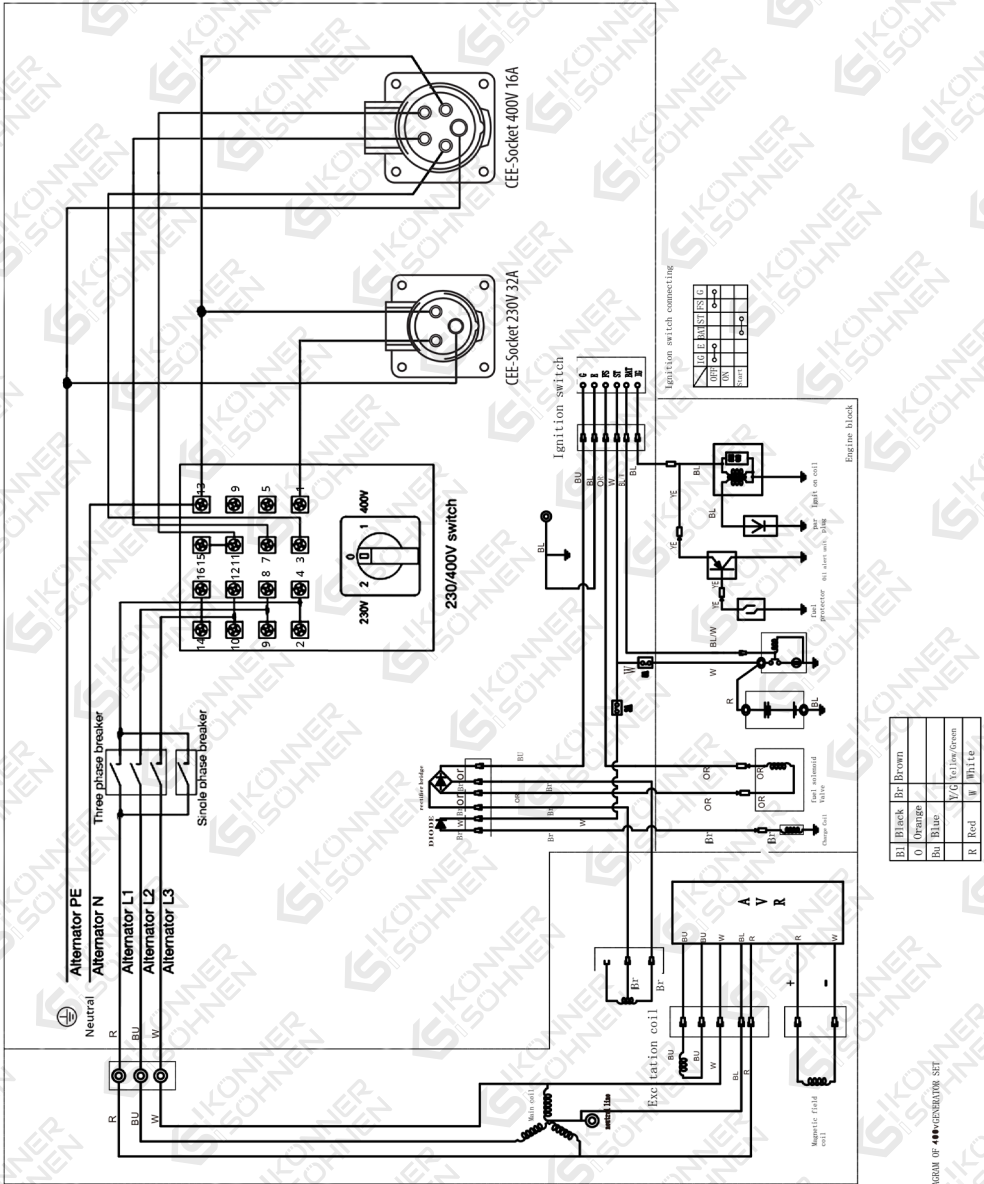
Ignition switch connecting

IG	E	MA	ST	P	S	G
OFF	○	○	○	○	○	○
ON	○	○	○	○	○	○
Start	○	○	○	○	○	○

BL	Black	Br	Brown
O	Orange		
Blu	Blue		
Y/G	Yellow/Green		
R	Red	W	White

WIRING DIAGRAM OF 400V GENERATOR SET

Pic. 8.3.
for model KS 1000E-1/3



CONTACTS

konner-sohnen.com

Germany

info@dimaxgroup.de

Poland

info.pl@dimaxgroup.de

Ukraine

sales@ks-power.com.ua