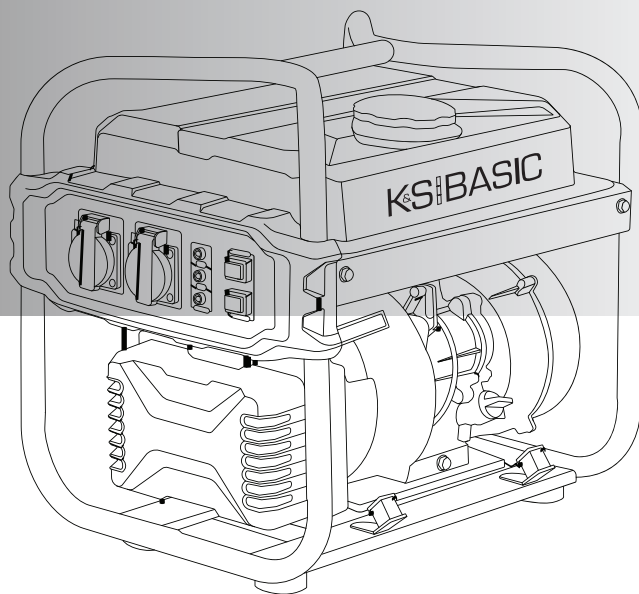


# INVERTER GENERATORS EXPLODED VIEW

**KSB 21i**

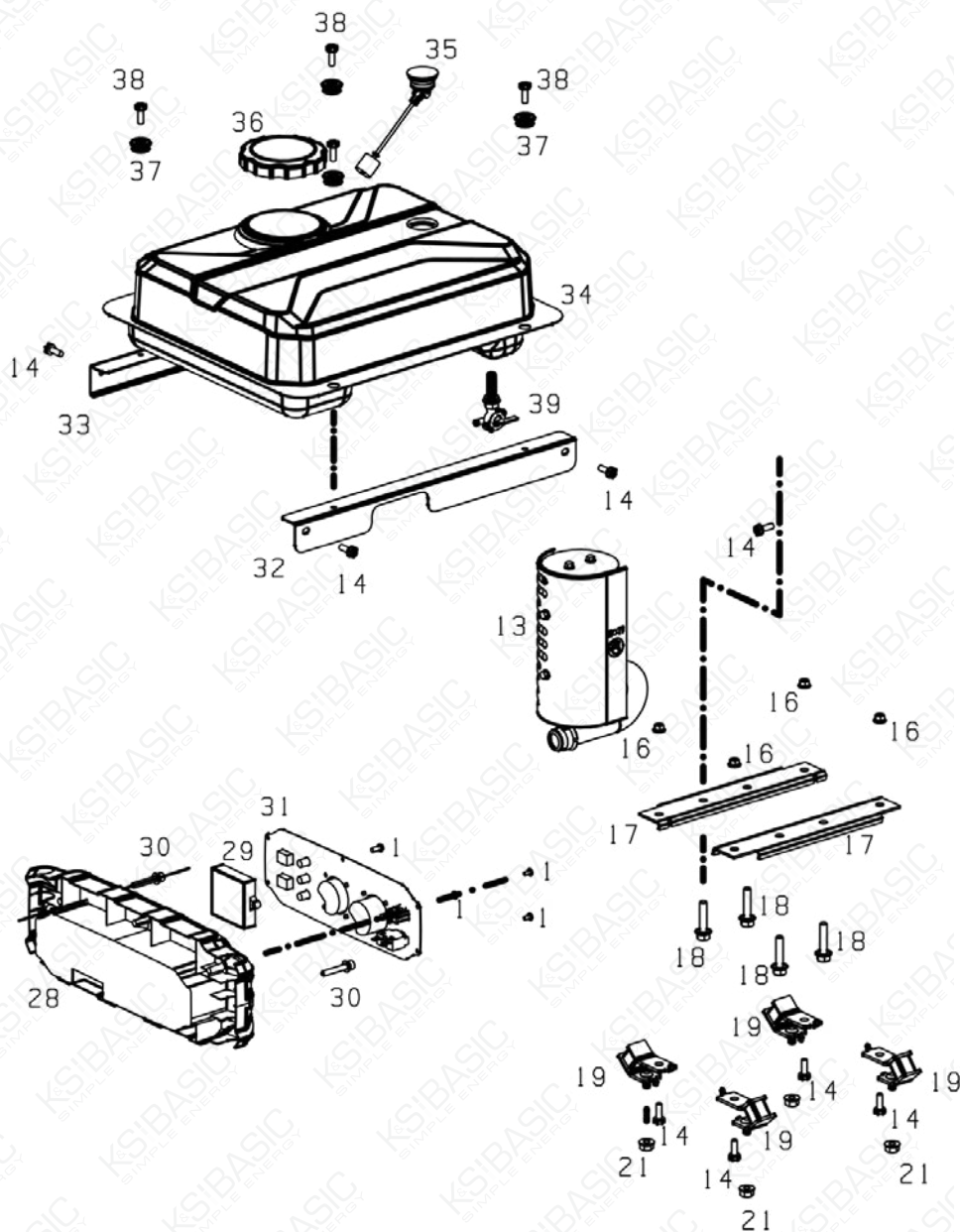


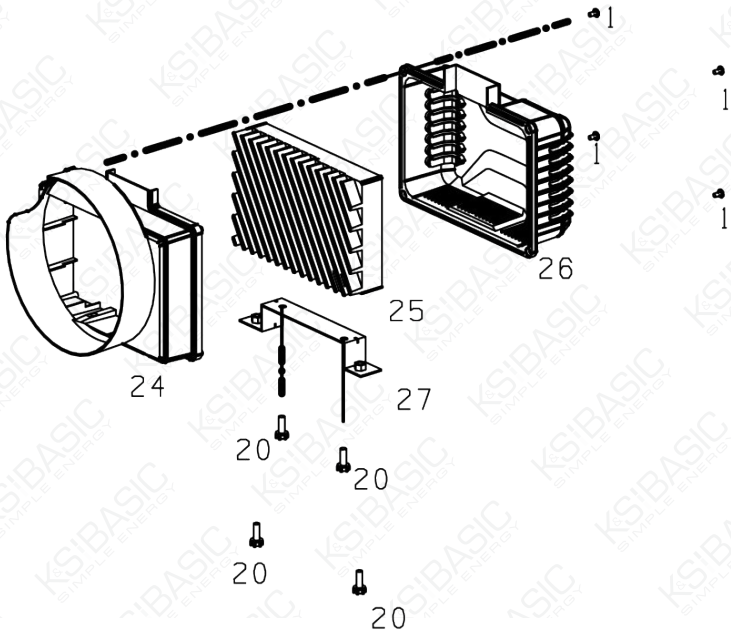
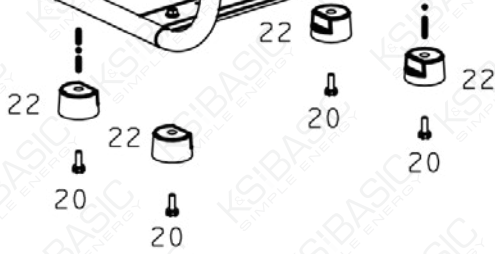
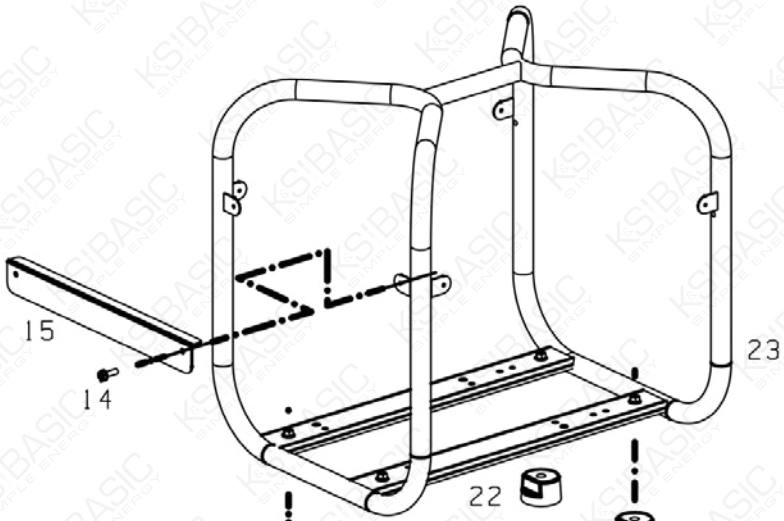
**SIMPLE ENERGY**

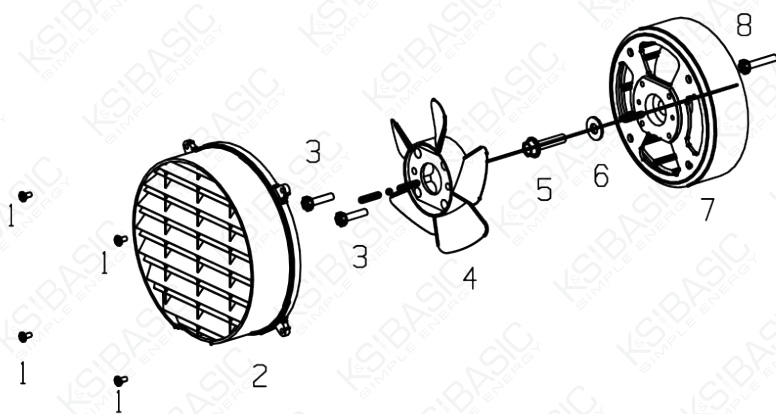
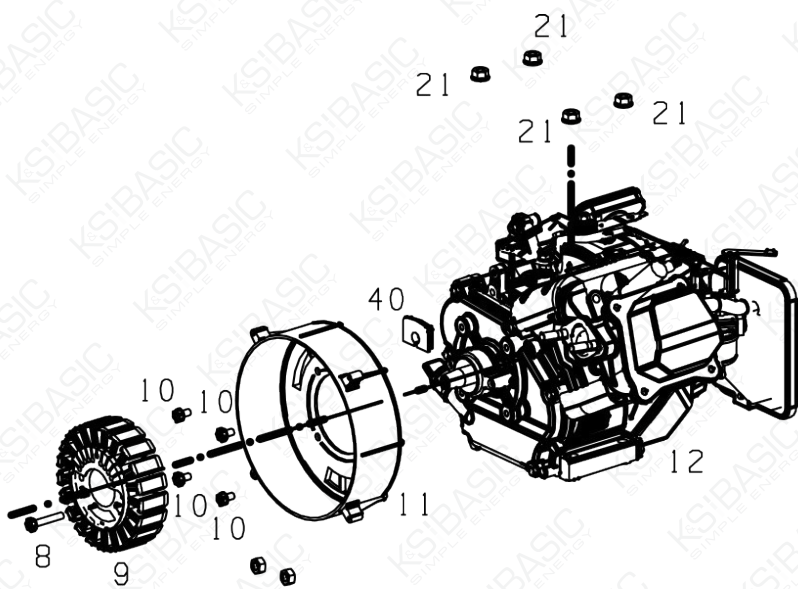
# CONTENTS

- 1. Parts of generator.....2
- 2. Parts of engine.....7

# 1. PARTS OF GENERATOR



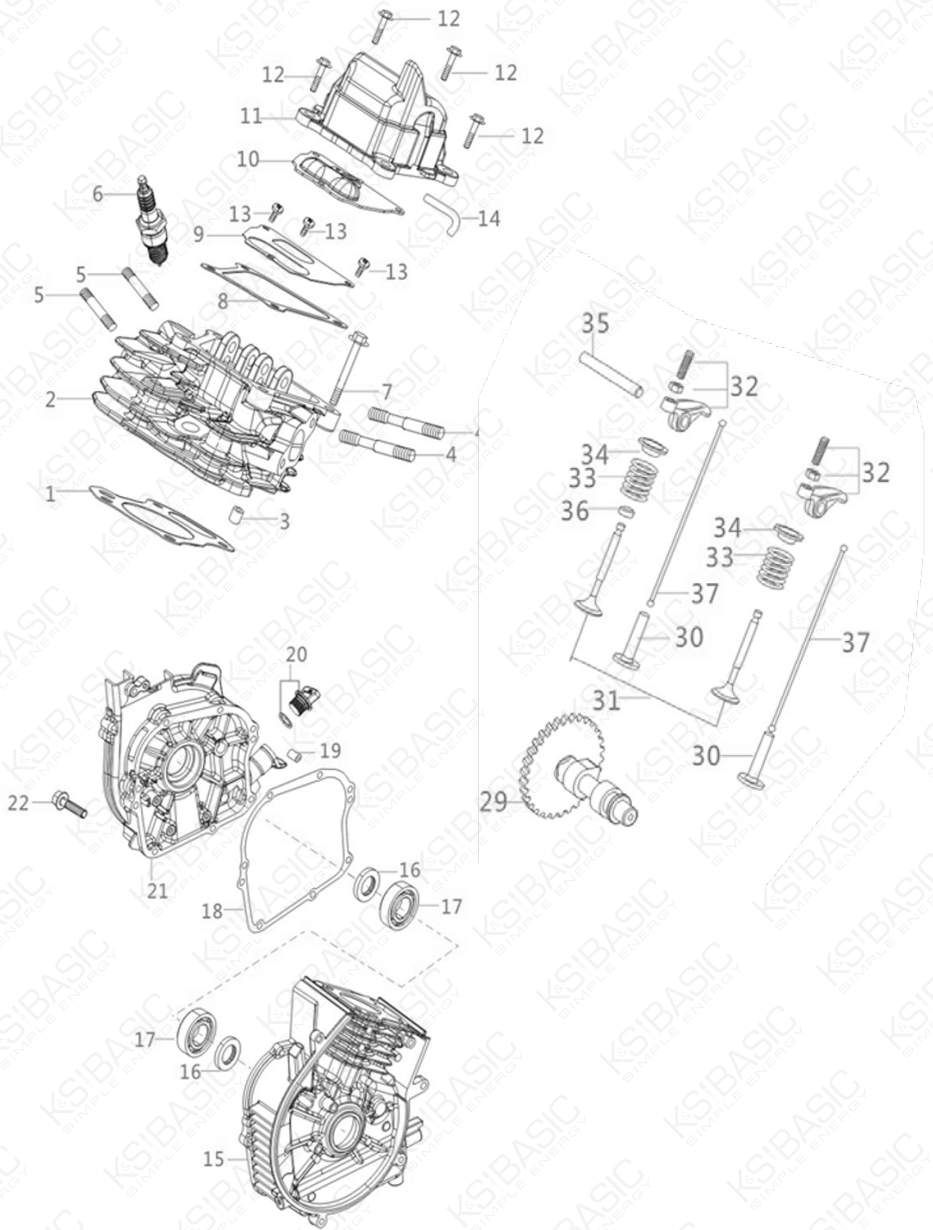




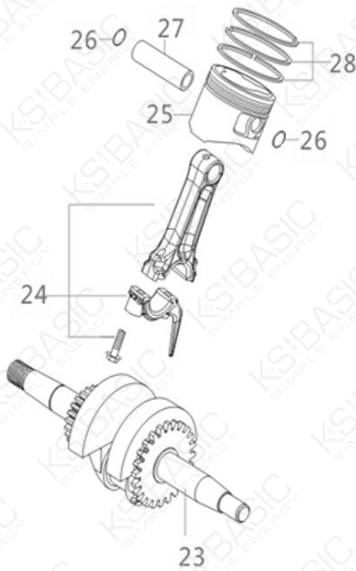
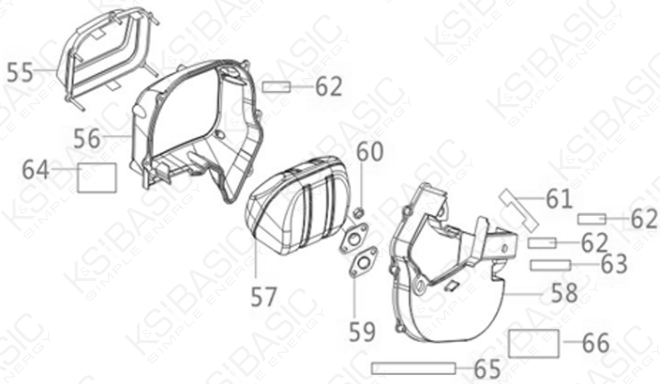
No	REF. No	DESCRIPTION	QTY
01	KSB 21i -1-01	Tapping Screw	16
02	KSB 21i -1-02	Wind Shield Top	1
03	KSB 21i -1-03	Hexagonal Flange Bolt M6	2
04	KSB 21i -1-04	Engine Impeller	1
05	KSB 21i -1-05	Hexagonal Flange Bolt M8	1
06	KSB 21i -1-06	Washer	1
07	KSB 21i -1-07	Rotor Ass'Y	1
08	KSB 21i -1-08	Hexagonal Flange Bolt M5	2
09	KSB 21i -1-09	Stator Ass'Y	1
10	KSB 21i -1-10	Hexagonal Flange Bolt M6	4
11	KSB 21i -1-11	Wind Shield Bottom	1
12	KSB 21i -1-12	Engine	1
13	KSB 21i -1-13	Muffler	1
14	KSB 21i-1-14	Hexagonal Flange Bolt M6	2
15	KSB 21i -1-15	Iron Cross Board Rear	1
16	KSB 21i -1-16	Flange Nut M6	4
17	KSB 21i -1-17	Engine Support Board	2
18	KSB 21i -1-18	Hexagonal Flange Bolt M8	4
19	KSB 21i -1-19	Shock Absorbing Foot	4
20	KSB 21i -1-20	Hexagonal Flange Bolt M6	12

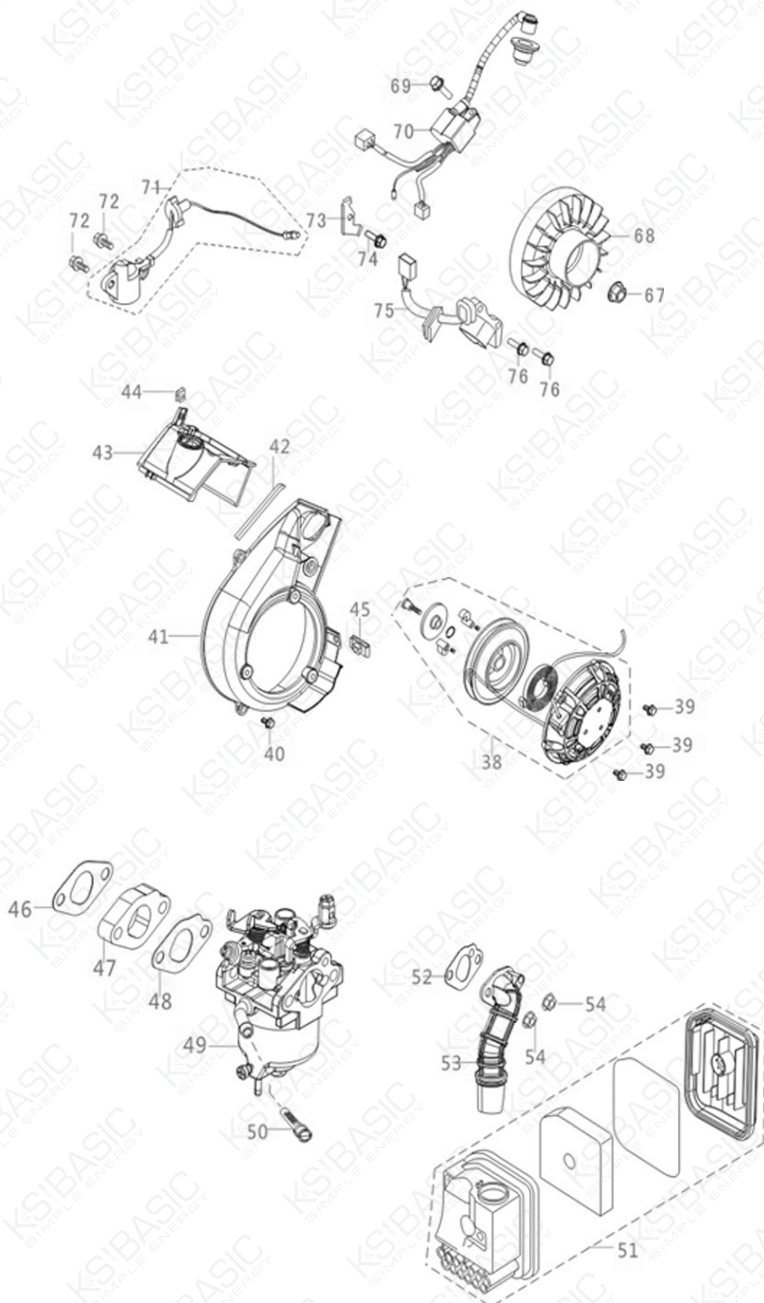
No	REF. No	DESCRIPTION	QTY
21	KSB 21i -1-21	Hexagonal Flange Bolt M8	8
22	KSB 21i -1-22	Rubber Foot	4
23	KSB 21i -1-23	Generator Frame	1
24	KSB 21i -1-24	Inverter Unit Case Bottom	1
25	KSB 21i -1-25	Inverter Unit	1
26	KSB 21i -1-26	Inverter Unit Case Top	1
27	KSB 21i -1-27	Inverter Unit Stand	1
28	KSB 21i -1-28	Control Panel Housing	1
29	KSB 21i -1-29	Speed Limiting Module	1
30	KSB 21i -1-30	Hex Bolts Combination M5	2
31	KSB 21i -1-31	Control Panel	1
32	KSB 21i -1-32	Iron Cross Board Left	1
33	KSB 21i -1-33	Iron Cross Board Right	1
34	KSB 21i -1-34	Fuel Tank	1
35	KSB 21i -1-35	Fuel Level Gage	1
36	KSB 21i -1-36	Tank Cap	1
37	KSB 21i -1-37	Rubber Shim	4
38	KSB 21i -1-38	Hexagonal Flange Bolt M6	4
39	KSB 21i -1-39	Fuel Tap	1
40	KSB 21i -1-40	Wires Straining Rubber	1

# 2. PARTS OF ENGINE









No	REF. No	DESCRIPTION	QTY
01	KSB 21i -2-01	Gasket, cylinder head	1
02	KSB 21i -2-02	Cylinder head	1
03	KSB 21i -2-03	Pin	2
04	KSB 21i 2-04	Stud	2
05	KSB 21i -2-05	Stud	2
06	KSB 21i -2-06	Spark plug	1
07	KSB 21i -2-07	Cylinder head bolt	4
08	KSB 21i -2-08	Cylinder head cover gasket	1
09	KSB 21i -2-09	Breath plate	1
10	KSB 21i -2-10	Breath groove gasket	1
11	KSB 21i -2-11	Cylinder head cover	1
12	KSB 21i -2-12	Bolt	4
13	KSB 21i -2-13	Bolt	3
14	KSB 21i -2-14	Breather tube	1
15	KSB 21i -2-15	Crankcase	1
16	KSB 21i -2-16	Oil-seal	2
17	KSB 21i -2-17	Bearing	2
18	KSB 21i -2-18	Crankcase gasket	1
19	KSB 21i -2-19	Pin	2
20	KSB 21i -2-20	Oil dipstick	1

No	REF. No	DESCRIPTION	QTY
21	KSB 21i -2-21	Crankcase cover	1
22	KSB 21i -2-22	Bolt	7
23	KSB 21i -2-23	Crankshaft assy.	1
24	KSB 21i -2-24	Connecting rod	1
25	KSB 21i -2-25	Piston	1
26	KSB 21i -2-26	Piston pin clip	2
27	KSB 21i -2-27	Piston pin	1
28	KSB 21i -2-28	Piston ring assy.	1
29	KSB 21i -2-29	Camshaft assy.	1
30	KSB 21i -2-30	Valve tappet	2
31	KSB 21i -2-31	Valve	1
32	KSB 21i -2-32	Valve rocker	2
33	KSB 21i -2-33	Spring	2
34	KSB 21i -2-34	Valve spring seat	2
35	KSB 21i -2-35	Valve rocker shaft	1
36	KSB 21i -2-36	Seal guard	1
37	KSB 21i -2-37	Valve lifter	2
38	KSB 21i -2-38	Recoil starter assy.	1
39	KSB 21i -2-39	Bolt	3
40	KSB 21i -2-40	Bolt	3

No	REF. No	DESCRIPTION	QTY
41	KSB 21i -2-41	Shroud	1
42	KSB 21i -2-42	Shroud seal strip	1
43	KSB 21i -2-43	Cylinder air shield	1
44	KSB 21i -2-44	Limit card	1
45	KSB 21i -2-45	Nut	1
46	KSB 21i -2-46	Carburetor gasket	1
47	KSB 21i -2-47	Carburetor insulator plate	1
48	KSB 21i -2-48	Carburetor insulator gasket	1
49	KSB 21i -2-49	Carburetor assy.	1
50	KSB 21i -2-50	Fuel strainer	1
51	KSB 21i -2-51	Air filter	1
52	KSB 21i -2-52	Air filter gasket	1
53	KSB 21i -2-53	Air filter intake duct	1
54	KSB 21i -2-54	Nut	2
55	KSB 21i -2-55	Muffler side cover	1
56	KSB 21i -2-56	Muffler shroud	1
57	KSB 21i -2-57	Muffler body	1
58	KSB 21i -2-58	Muffler shield	1
59	KSB 21i -2-59	Exhaust outlet gasket	1
60	KSB 21i -2-60	Nut	2

No	REF. No	DESCRIPTION	QTY
61	KSB 21i -2-61	Muffler shiled gasket 1	1
62	KSB 21i -2-62	Muffler shiled gasket 2	2
63	KSB 21i -2-63	Muffler shiled gasket 3	1
64	KSB 21i -2-64	Heat protection paper	1
65	KSB 21i -2-65	Heat protection paper	1
66	KSB 21i -2-66	Heat protection paper	1
67	KSB 21i -2-67	Flywheel nut	1
68	KSB 21i -2-68	Flywheel subassembly	1
69	KSB 21i -2-69	Bolt	1
70	KSB 21i -2-70	Ignitor	1
71	KSB 21i -2-71	Oil se	1
72	KSB 21i -2-72	Bolt	2
73	KSB 21i -2-73	Clamp	1
74	KSB 21i -2-74	Bolt	1
75	KSB 21i -2-75	Ignition coil	1
76	KSB 21i -2-76	Bolt	2

## CONTACTS

**Germany**

**ks-power.de**

**info@dimaxgroup.de**

**Poland**

**ks-power.pl**

**info.pl@dimaxgroup.de**

**Ukraine**

**ks-power.com.ua**

**sales@ks-power.com.ua**

**Russia**

**ks-power.ru**

**info@ks-power.ru**