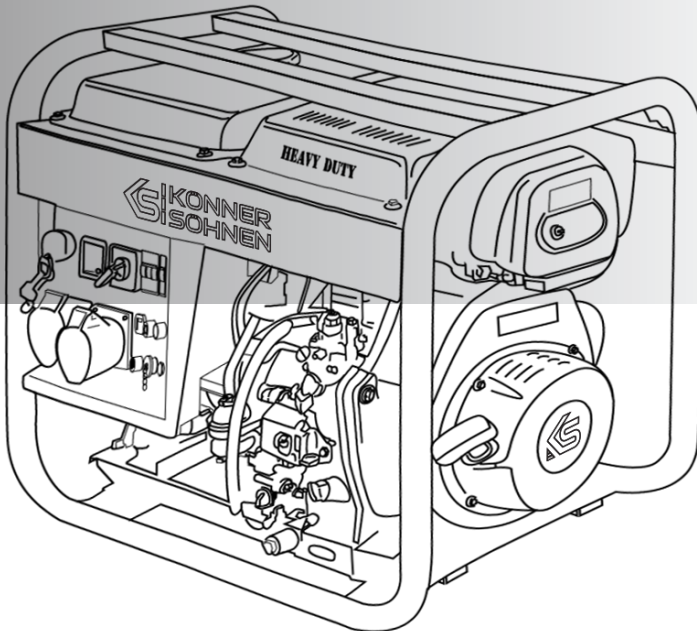


HEAVY DUTY DIESEL GENERATOR EXPLODED VIEW

KS 6100HDE, KS 8100HDE



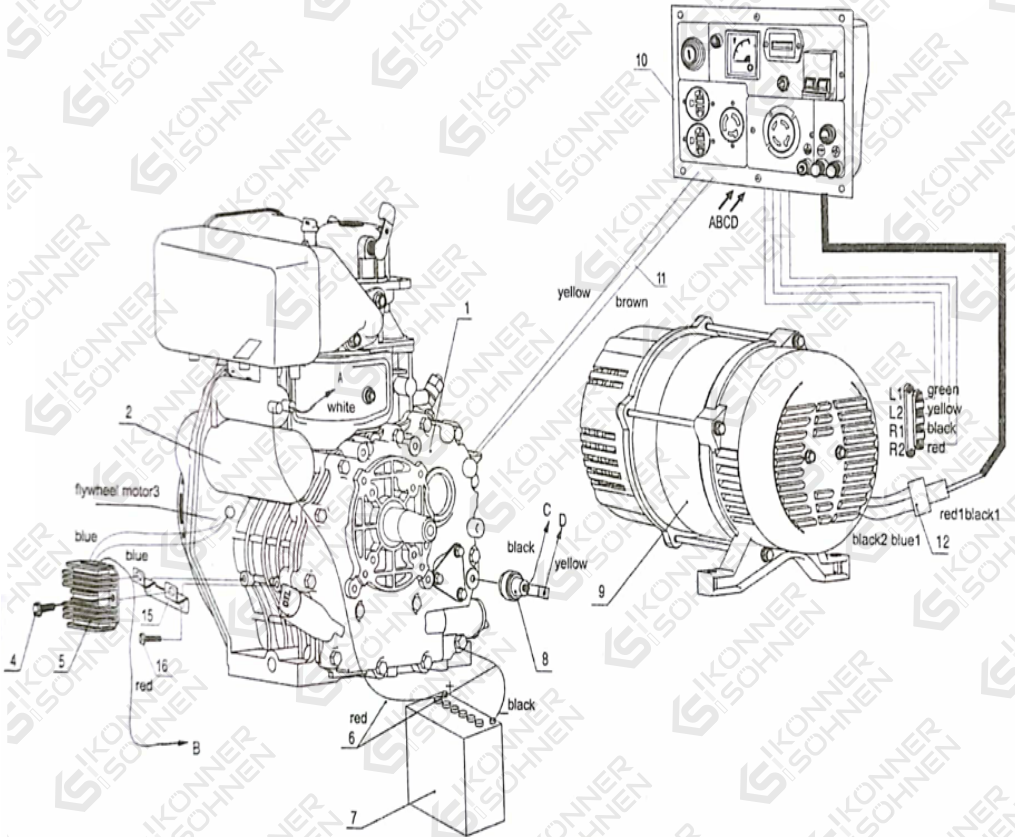
TRADITIONELLE DEUTSCHE QUALITÄT

CONTENTS

1. Parts of generator.....	2
2. Parts of engine.....	4
3. Parts of alternator.....	23
4. Parts of panel.....	25
5. Parts of cover shell.....	28
6. Parts of fuel tank.....	31
7. Electric scheme.....	33

! This material is for informational purposes only and is not an instruction. The connection of the equipment in each case must be performed by a certified electrician, in accordance with local laws and regulations. Before connecting, we urge you to read the recommendations in the manual for the generator. The manufacturer is not responsible for improper connection of equipment, and is not responsible for possible material and physical damage that may occur as a result of improper installation, connection or operation of equipment.

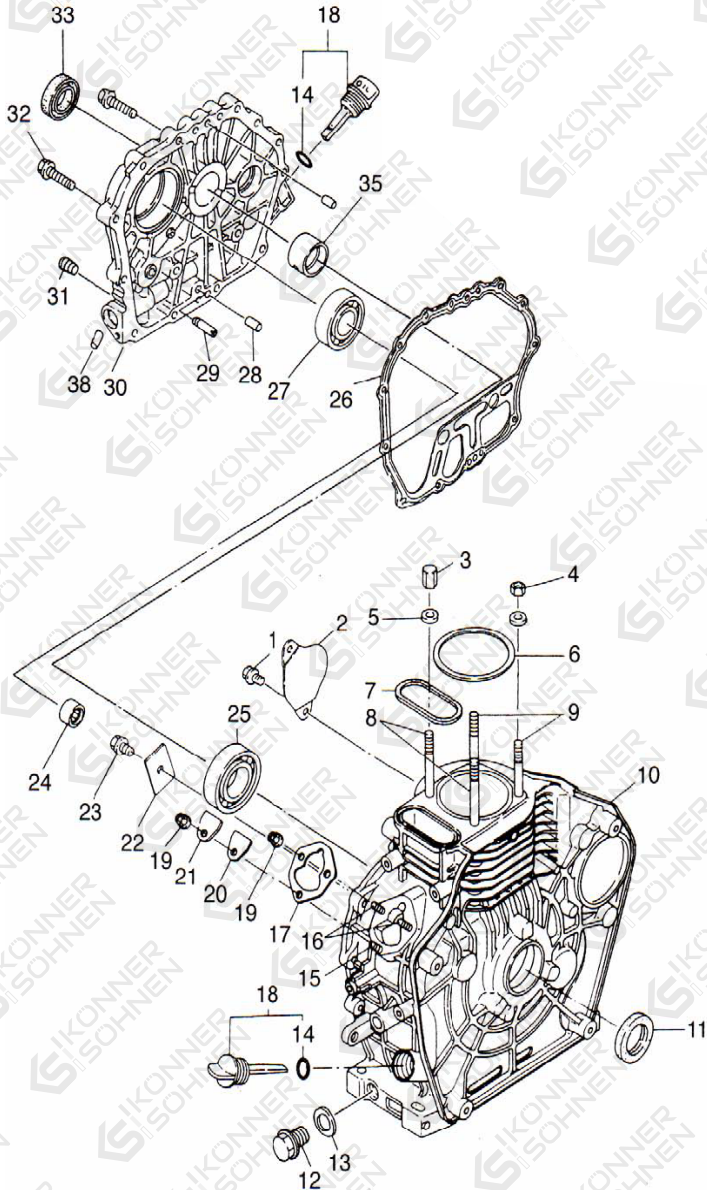
KS 6100HDE, KS 8100HDE, 1. PARTS OF GENERATOR



No	REF. No	DESCRIPTION	QTY
1	KS 6100HDE-1-001	AT series diesel engine	1
2	KS 6100HDE-1-002	Starter Motor	1
3	KS 6100HDE-1-003	Flywheel generator	1
4	KS 6100HDE-1-004	Bolt	2
5	KS 6100HDE-1-005	Voltage Regulator	1
6	KS 6100HDE-1-006	Battery Cable (red, black)	2
7	KS 6100HDE-1-007	Battery	1
8	KS 6100HDE-1-008	Oil level sensor	1
9	KS 6100HDE-1-009	Alternator	1
10	KS 6100HDE-1-010	Output panel assembly	1
11	KS 6100HDE-1-011	Throttle cable	2
12	KS 6100HDE-1-012	Connector assembly	1
15	KS 6100HDE-1-015	Voltage Regulator Bracket	1
16	KS 6100HDES-1-016	Bolt	2

2. ENGINE PARTS LIST

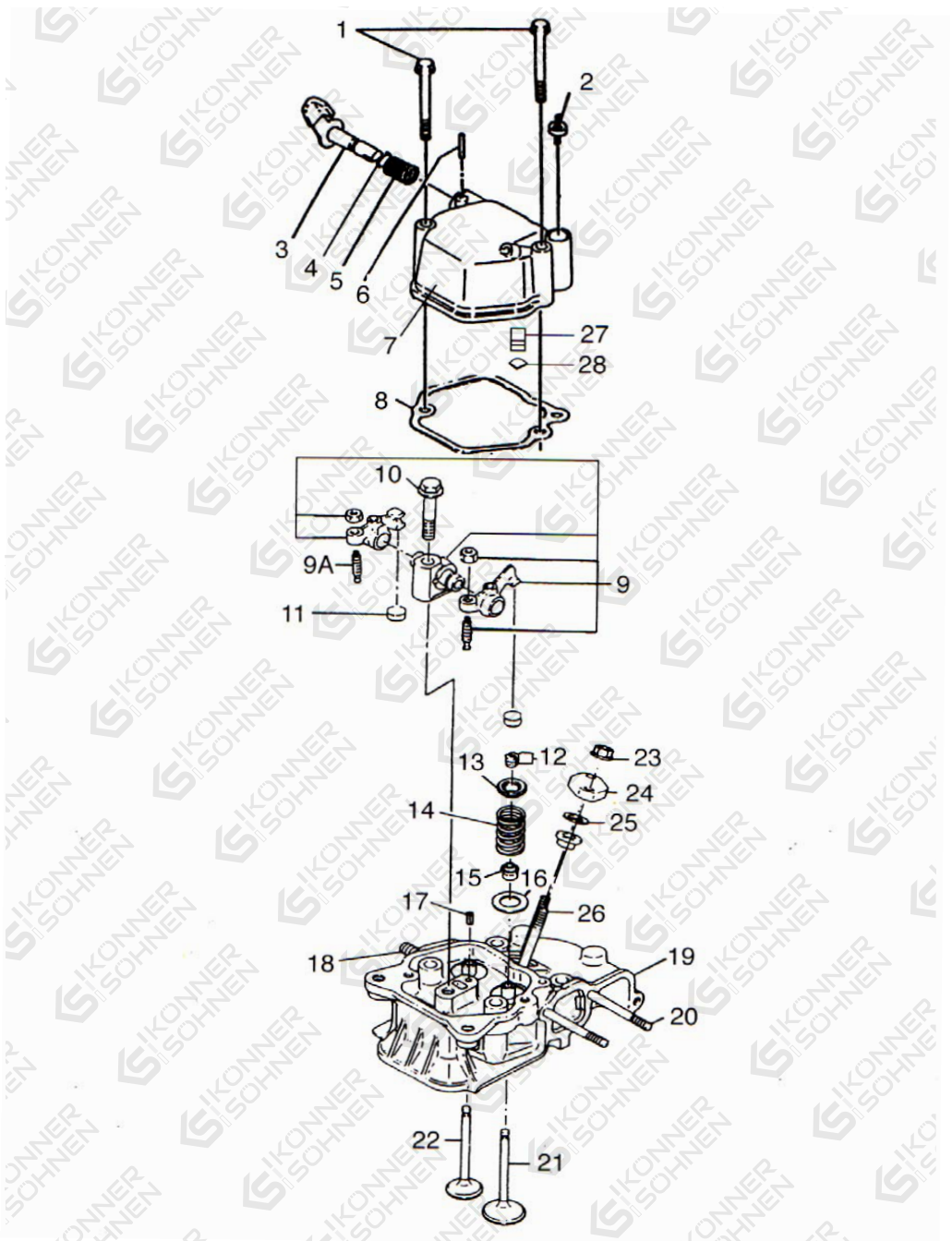
2.1 Part of cylinder block side cover



No	REF. No	DESCRIPTION	QTY
1	KS 6100HDE-2.1-001	Bolt M10×20(GB5787-86)	2
2	KS 6100HDE-2.1-002	Cover of starting motor hole	1
3	KS 6100HDE-2.1-003	Nut of tylander head(long)	2
4	KS 6100HDE-2.1-004	Nut of tylander head(shoer)	2
5	KS 6100HDE-2.1-005	Gasket of nut of cylinder head	4
6	KS 6100HDE-2.1-006	Gasket of cylinder head(0.2-0.5)	1
7	KS 6100HDE-2.1-007	Rectangle ring	1
8	KS 6100HDE-2.1-008	Bolt of cylinder head(long)	2
9	KS 6100HDE-2.1-009	Bolt of cylinder head(short)	2
10	KS 6100HDE-2.1-010	Cylinder block	1
11	KS 6100HDE-2.1-011	Reat oil Sealing 35×50×8	1
12	KS 6100HDE-2.1-012	Cock of oil draining	1
13	KS 6100HDE-2.1-013	Gaske of cock of oil draining	1
14	KS 6100HDE-2.1-014	"O"type ring 24×2.4	2
15	KS 6100HDE-2.1-015	86FAstening bolt of fuel injection pump(short)	1
16	KS 6100HDE-2.1-016	86FAstening bolt of fuel injection pump(long)	2
17	KS 6100HDE-2.1-017	Adjusting gasket of fuel injdc-tor(0.1-0.5)	1
18	KS 6100HDE-2.1-018	Dispick of lubricating oil	2

No	REF. No	DESCRIPTION	QTY
19	KS 6100HDE-2.1-019	Nut M6	3
20	KS 6100HDE-2.1-020	Gasket of sealing plate	1
21	KS 6100HDE-2.1-021	Sealing plate	1
22	KS 6100HDE-2.1-022	Thrust piece	1
23	KS 6100HDE-2.1-023	Bolt with flange 86Face M8x14(GB5789-86)	1
24	KS 6100HDE-2.1-024	Needle bearing 7941/8	2
25	KS 6100HDE-2.1-025	Ball bearing 6308(GB/T276-94)	1
26	KS 6100HDE-2.1-026	Gasket of crankcase cove	1
27	KS 6100HDE-2.1-027	Bearing 6207 (GB/T276-94)	1
28	KS 6100HDE-2.1-028	Retaining pin 8x12 (GB119-86)	2
29	KS 6100HDE-2.1-029	Fuel Pipe	1
30	KS 6100HDE-2.1-030	Crankcase cover	1
31	KS 6100HDE-2.1-031	Inner Hexagon Plug G1/8	1
32	KS 6100HDE-2.1-032	M8 x 33.5 Bolt(10.9)	5
		M8 x 33.5 Bolt(8.8)	11
	KS 8100HDE-2.1-032	M8 x 33.5 Bolt(10.9)	16
33	KS 6100HDE-2.1-033	Front oil seal 35 x 50 x 10	1
35	KS 6100HDE-2.1-035	Main Bush	1
38	KS 6100HDE-2.1-038	Aluminum Plug Diameter 8 x 8	3

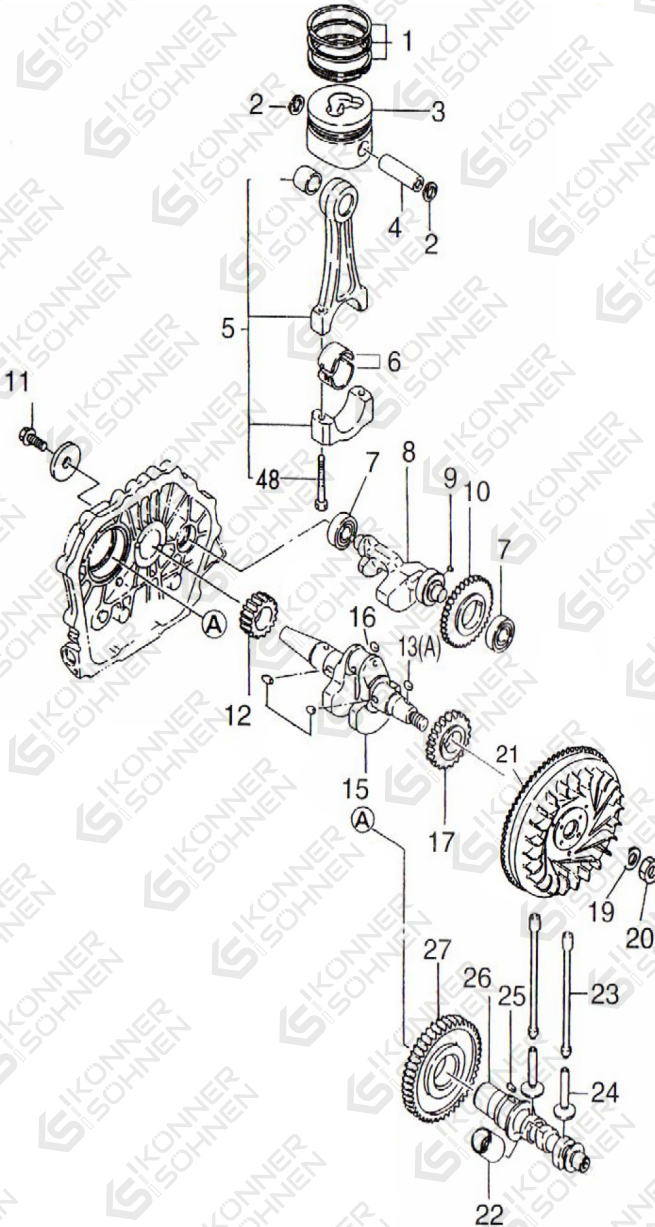
2.2 Cylinder head cover and cylinder head assembly



No	REF. No	DESCRIPTION	QTY
1	KS 6100HDE-2.2-001	Bolt with flange 86FAce M6×75(GB5789-86)	3
2	KS 6100HDE-2.2-002	Oiling screw plug	1
3	KS 6100HDE-2.2-003	Paer of decompression shaft	1
4	KS 6100HDE-2.2-004	"O"ring 10×1.9 (GB1235-76)	1
5	KS 6100HDE-2.2-005	Decompression spring	1
6	KS 6100HDE-2.2-006	Retaining pin 3×16(GB119-86)	1
7	KS 6100HDE-2.2-007	Cylinder head cover	1
8	KS 6100HDE-2.2-008	Gasket of cylinder head cover	1
9	KS 6100HDE-2.2-009	Rocker arm	1
9A	KS 6100HDE-2.2-009A	Adjusting screw of vavle gap	2
10	KS 6100HDE-2.2-010	86FAstened bolt of rocker arm shaft	2
11	KS 6100HDE-2.2-011	Valve adjusting packing	2
12	KS 6100HDE-2.2-012	Valve clip	4
13	KS 6100HDE-2.2-013	Valve spring seat	2
14	KS 6100HDE-2.2-014	Valve sping	2

No	REF. No	DESCRIPTION	QTY
15	KS 6100HDE-2.2-015	Oil seal of valve guide	2
16	KS 6100HDE-2.2-016	Spring washer of valve	2
17	KS 6100HDE-2.2-017	Pin 4 x 8 (GB119-86)	1
18	KS 6100HDE-2.2-018	Double ends stud AM8 x 20 (GB899-88)	2
19	KS 6100HDE-2.2-019	Mechanical process parts of cylinder head	1
20	KS 6100HDE-2.2-020	Bolt M6 x75	2
21	KS 6100HDE-2.2-021	Intake valve	1
22	KS 6100HDE-2.2-022	Exhaust valve	1
23	KS 6100HDE-2.2-023	Nut M6(GB6177-86)	2
24	KS 6100HDE-2.2-024	Press plate of fuel injector	1
25	KS 6100HDE-2.2-025	Adjusting gasket of fuel injector	1
26	KS 6100HDE-2.2-026	86Fasted bolt of fuel injector M6x25	2
27	KS 6100HDE-2.2-027	Breather assembly	1
28	KS 6100HDE-2.2-028	"O" type ring 12x1.9	1

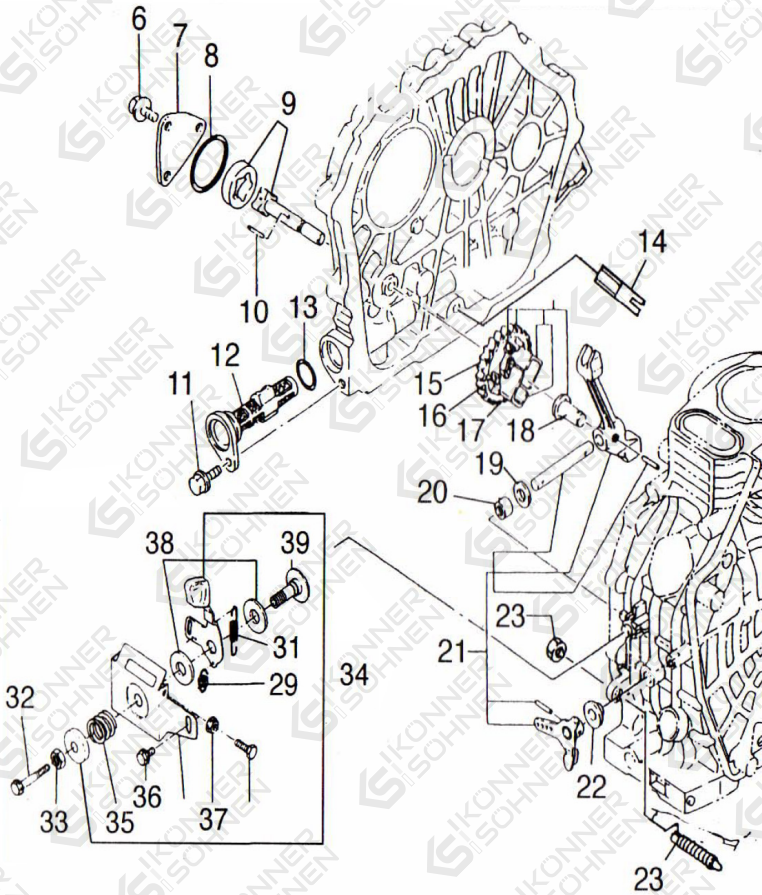
2.3 Piston connecting rod and crankshaft balancing mechanism



No	REF. No	DESCRIPTION	QTY
1	KS 6100HDE-2.3-001	Piston ring group	1
2	KS 6100HDE-2.3-002	Retainer of piston pin $\Phi 23$	2
3	KS 6100HDE-2.3-003	Piston	1
4	KS 6100HDE-2.3-004	Piston pin	1
5	KS 6100HDE-2.3-005	Connecting rod body	1
6	KS 6100HDE-2.3-006	Connecting rod bush	1
7	KS 6100HDE-2.3-007	Bearing 6203(GB/T276-94)	2
9	KS 6100HDE-2.3-009	Key 5x7 (GB1096-79)	1
10	KS 6100HDE-2.3-010	Balancing shaft timing gear	1
11	KS 6100HDE-2.3-011	Bolt (for F shaft accompany with the diesel engine)	1
12	KS 6100HDE-2.3-012	Crankshaft timing gear	1
13A	KS 6100HDE-2.3-013A	Key 5x14(GB1096-79)	1
15	KS 6100HDE-2.3-015	Crankshaft	1
16	KS 6100HDE-2.3-016	Plug 6x8	1
17	KS 6100HDE-2.3-017	Driving gear of balancing shaft	1

No	REF. No	DESCRIPTION	QTY
19	KS 6100HDE-2.3-019	Gasket for nut of flywheel	1
20	KS 6100HDE-2.3-020	Nut of flywheel	1
21	KS 6100HDE-2.3-021	Gear ring of flywheel (for starting motor)	1
22	KS 6100HDE-2.3-022	Sleeve of fuel pump tappet	1
23	KS 6100HDE-2.3-023	Push rod	2
24	KS 6100HDE-2.3-024	Tappet	2
25	KS 6100HDE-2.3-025	Key 4x14(GB1096-79)	1
26	KS 6100HDE-2.3-026	Camshaft	1
27	KS 6100HDE-2.3-027	Camshaft timing gear	1

2.4 Lubricating and speed –control system

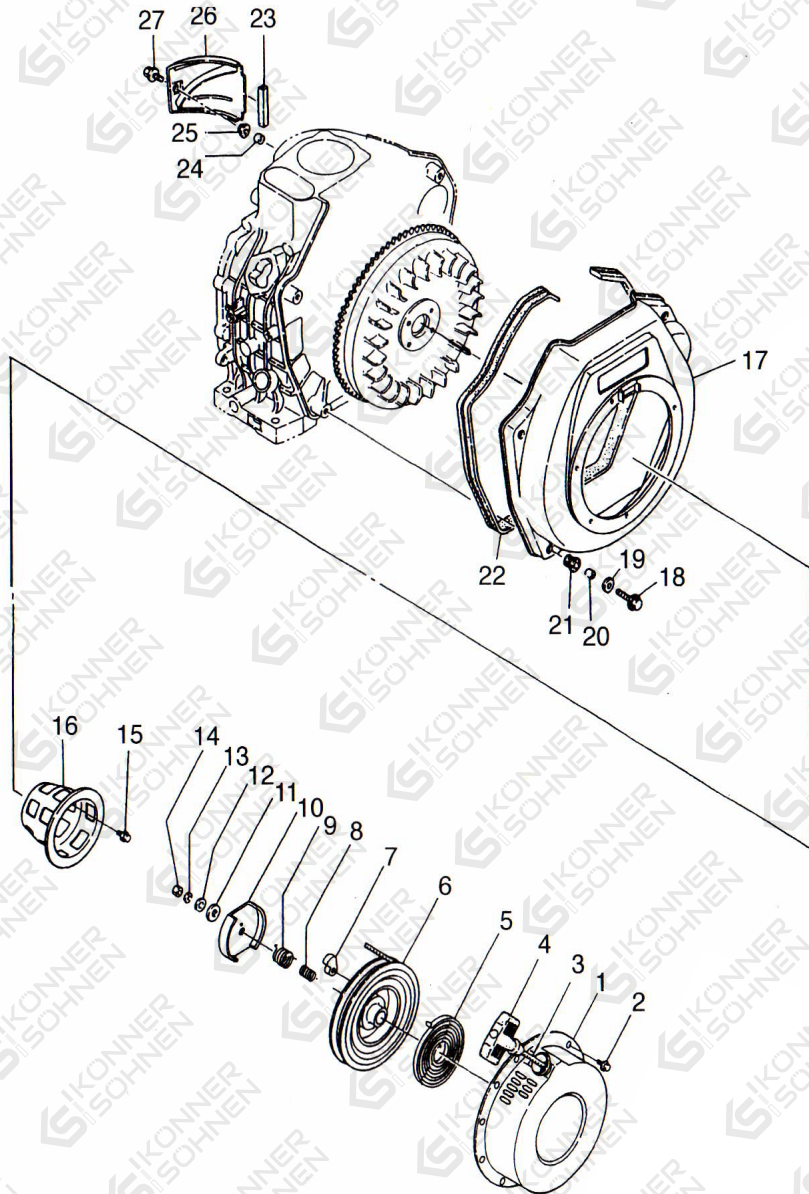


No	REF. No	DESCRIPTION	QTY
6	KS 6100HDE-2.4-006	M6 x 12 (GB5787-86) Bolt	3
7	KS 6100HDE-2.4-007	Oil pump cover	1
8	KS 6100HDE-2.4-008	O ring 34.5 x 1.8 (GB3452.1-82)	1
9	KS 6100HDE-2.4-009	Oil Pump	1

No	REF. No	DESCRIPTION	QTY
10	KS 6100HDE-2.4-010	pin 3 x 16 (GB119-82)	1
11	KS 6100HDE-2.4-011	M6 x 14 (GB5789-86)	1
12	KS 6100HDE-2.4-012	Oil filter cleaning element	1
13	KS 6100HDE-2.4-013	Sealing ring 20 x 2.65	1
14	KS 6100HDE-2.4-014	Oil Guide	1
15	KS 6100HDE-2.4-015	Oil pump driving gear	1
16	KS 6100HDE-2.4-016	Fly block pin	1
17	KS 6100HDE-2.4-017	Fly block	2
18	KS 6100HDE-2.4-018	Tappet of governor fork	1
19	KS 6100HDE-2.4-019	Lever shaft gasket	2
20	KS 6100HDE-2.4-020	Bearing 7941/8 (GB290-64)	2
21	KS 6100HDE-2.4-021	Fork lever assembly	1
22	KS 6100HDE-2.4-022	Lever shaft seal	1
23	KS 6100HDE-2.4-023	Fuel controller parts	1
32	KS 6100HDE-2.4-032	M6 x 45 (GB6172-86) Bolt	1
33	KS 6100HDE-2.4-033	M10 x 1.25 Nut	1

No	REF. No	DESCRIPTION	QTY
34	KS 6100HDE-2.4-034	FG parts of Lever	1
35	KS 6100HDE-2.4-035	FG governor spring	1
36	KS 6100HDE-2.4-036	M6 x 14 (GB5789-86) Bolt	1
37	KS 6100HDE-2.4-037	M6 (GB39-88) Nut	2
38	KS 6100HDE-2.4-038	Washer	1
39	KS 6100HDE-2.4-039	Short Handle	1

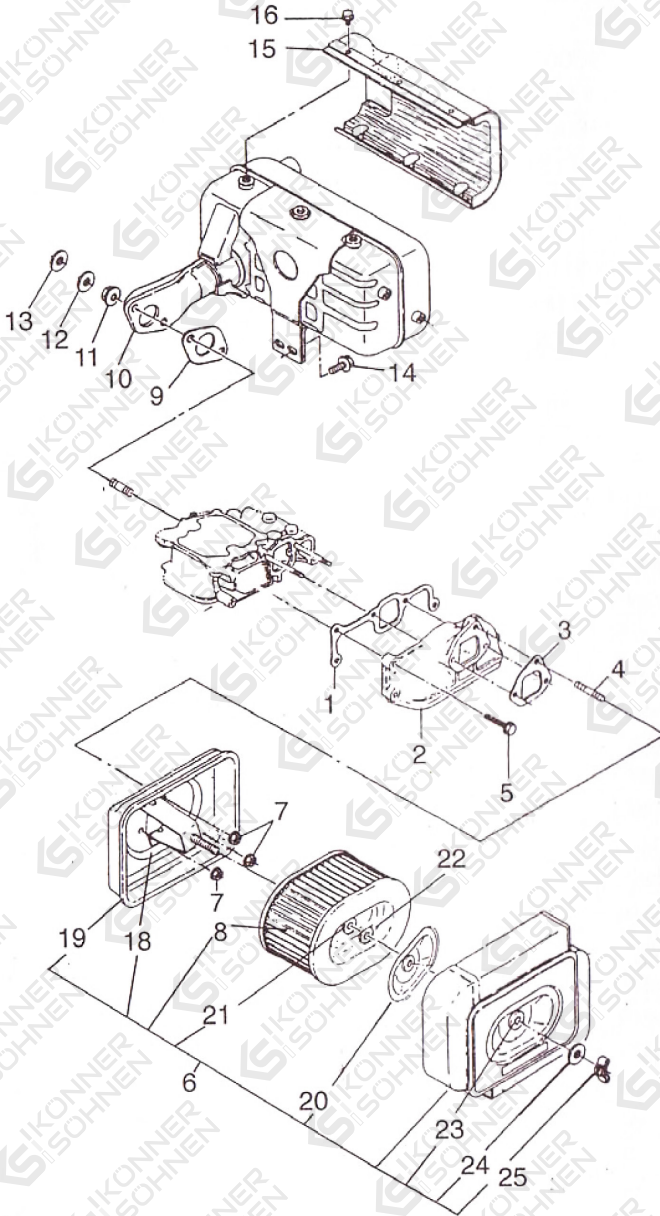
2.5 Cooling and recoil starting system



No	REF. No	DESCRIPTION	QTY
1	KS 6100HDE-2.5-001	Recoil start assembly	1
2	KS 6100HDE-2.5-002	Bolt M6 x 8 (GB5787-86)	4
3	KS 6100HDE-2.5-003	Starter rope	1
4	KS 6100HDE-2.5-004	Starter handle	1
5	KS 6100HDE-2.5-005	Flat Torsional spring	1
6	KS 6100HDE-2.5-006	Reel	1
7	KS 6100HDE-2.5-007	Starting claw	1
8	KS 6100HDE-2.5-008	Helical spring	1
9	KS 6100HDE-2.5-009	Torsional spring	1
10	KS 6100HDE-2.5-010	Starting claw plate	1
11	KS 6100HDE-2.5-011	Friction plate	1
12	KS 6100HDE-2.5-012	Friction plate gasket	1
13	KS 6100HDE-2.5-013	Spring washer	1
14	KS 6100HDE-2.5-014	M8 Nut	1
15	KS 6100HDE-2.5-015 KS 8100HDE-2.5-015	M6 x 12 M8 x 18	3-4 4

No	REF. No	DESCRIPTION	QTY
16	KS 6100HDE-2.5-016	Starter	1
17	KS 6100HDE-2.5-017	Recoil starter cover	1
18	KS 6100HDE-2.5-018	M6 x 22 (GB5787-86) Bolt	5
19	KS 6100HDE-2.5-019	M6 washer (GB90-85)	4
20	KS 6100HDE-2.5-020	Collar	4
21	KS 6100HDE-2.5-021	Shock absorber	4
22	KS 6100HDE-2.5-022	Shock pads	1
23	KS 6100HDE-2.5-023	Shock isolator	1
24	KS 6100HDE-2.5-024	Collar	1
25	KS 6100HDE-2.5-025	Pad	1
26	KS 6100HDE-2.5-026	Wind leading plate	1
27	KS 6100HDE-2.5-027	M6 x 22 (shaped piece) Bolt	1

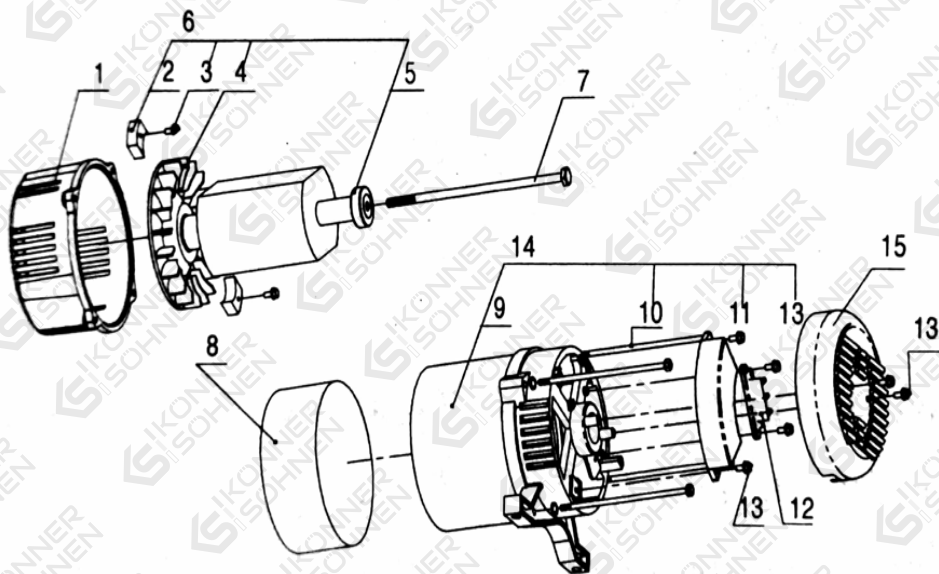
2.6 Air cleaner and silencer system



No	REF. No	DESCRIPTION	QTY
1	KS 6100HDE-2.6-001	Intake pipe gasket	1
2	KS 6100HDE-2.6-002	Intake pipe	1
3	KS 6100HDE-2.6-003	Air cleaner gasket	1
4	KS 6100HDE-2.6-004	Bolt	1
5	KS 6100HDE-2.6-005	M6 x 22 (GB5789-86) Shaped bolt	1
6	KS 6100HDE-2.6-006	Air filter assembly	1
7	KS 6100HDE-2.6-007	M6 (GB6177-86) Nut	1
8	KS 6100HDE-2.6-008	Air filter element	1
9	KS 6100HDE-2.6-009	Muffler gasket	1
10	KS 6100HDE-2.6-010	Muffler assembly	1
11	KS 6100HDE-2.6-011	Flat washer Dia. 8	2
12	KS 6100HDE-2.6-012	Spring washer Dia. 8	2
13	KS 6100HDE-2.6-013	M8 (GB6170-86) Nut	2
14	KS 6100HDE-2.6-014	M8 x 14 (GB5789-86) Bolt	2
15	KS 6100HDE-2.6-015	Muffler screen cover	1

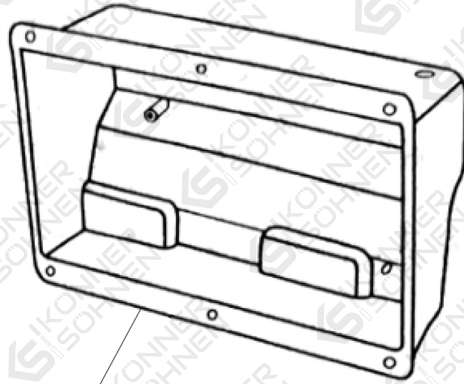
No	REF. No	DESCRIPTION	QTY
16	KS 6100HDE-2.6-016	M6 x 8 (GB5789-86) Bolt	10
17	KS 6100HDE-2.6-017	Muffler tail pipe	1
18	KS 6100HDE-2.6-018	Shock proof sealing ring	1
19	KS 6100HDE-2.6-019	Bottom case assembly of Air Cleaner	1
20	KS 6100HDE-2.6-020	Outer shock proof sealing ring	1
21	KS 6100HDE-2.6-021	Air filter shock absorber	1
22	KS 6100HDE-2.6-022	Collar (GB6177-86)	1
23	KS 6100HDE-2.6-023	Air filter shock absorber	1
24	KS 6100HDE-2.6-024	Washer	1
25	KS 6100HDE-2.6-025	M8 butterfly nut	1

3. PARTS OF ALTERNATOR

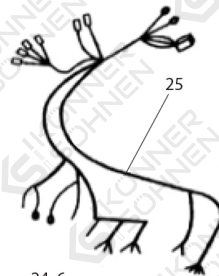


No	REF. No	DESCRIPTION	QTY
1	KS 6100HDE-3-001	Front end cover	1
4	KS 6100HDE-3-004	Fan Blade	1
5	KS 6100HDE-3-005	Bearing	1
6	KS 6100HDE-3-006	Rotor Unit	1
7	KS 6100HDE-3-007	Center bolt	1
8	KS 6100HDE-3-008	Motor cover	1
9	KS 6100HDE-3-009	Stator	1
10	KS 6100HDE-3-010	Long Bolt	4
11	KS 6100HDE-3-011	AVR	1
12	KS 6100HDE-3-012	Wiring Seat	1
13	KS 6100HDE-3-013	M5×15 Bolt	6
14	KS 6100HDE-3-014	Stator Unit	1
15	KS 6100HDE-3-015	Dust cover	1
16	KS 6100HDE-3-016	Carbon brush	1
17	KS 6100HDE-3-017	Back end cover	1

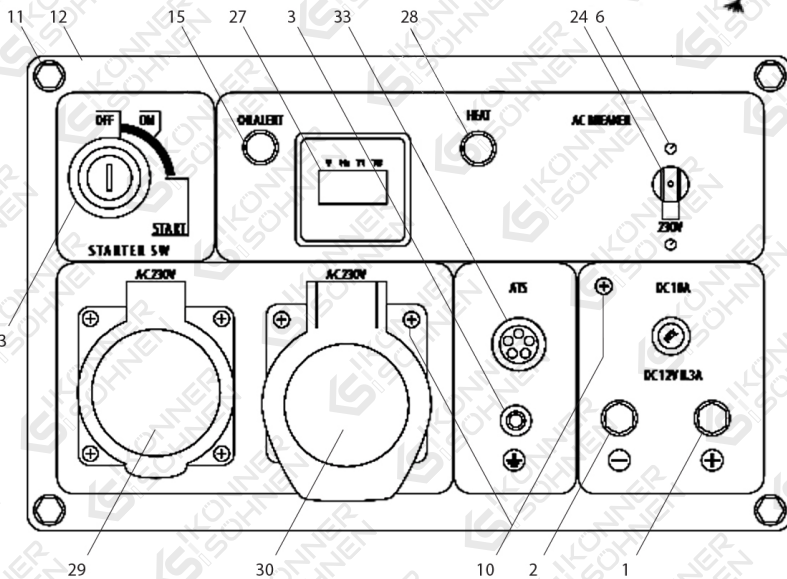
4. PARTS OF PANEL



26

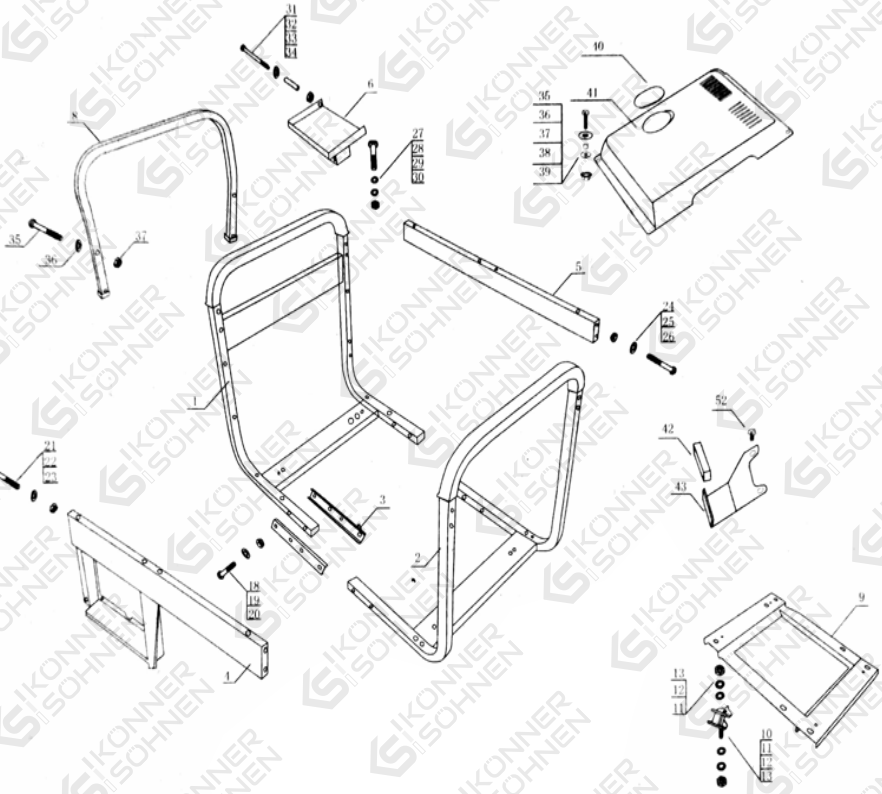


25



No	REF. No	DESCRIPTION	QTY
1	KS 6100HDE-4-001	Positive DC port	1
2	KS 6100HDE-4-002	Negative DC port	1
3	KS 6100HDE-4-003	Grounded bolt	1
4	KS 6100HDE-4-004	Bolt	2
5	KS 6100HDE-4-005	Large Nut	1
6	KS 6100HDE-4-006	Bolt	2
11	KS 6100HDE-4-011	Electric panel bolt	6
12	KS 6100HDE-4-012	Electric panel	1
13	KS 6100HDE-4-013	Starter switch	1
18	KS 6100HDE-4-018	DC fuse	1
22	KS 6100HDE-4-022	Breaker bracket	1
23	KS 6100HDE-4-023	Nut	2
24	KS 6100HDE-4-024	Breaker	1
25	KS 6100HDE-4-025	Wiring harness	1
26	KS 6100HDE-4-026	Electrical box	1
27	KS 6100HDE-4-027	Digital meter	1
28	KS 6100HDE-4-028	Heater switch	1
29	KS 6100HDE-4-029	16A socket	1
30	KS 6100HDE-4-030	32A socket	1

5. PARTS OF COVER SHELL

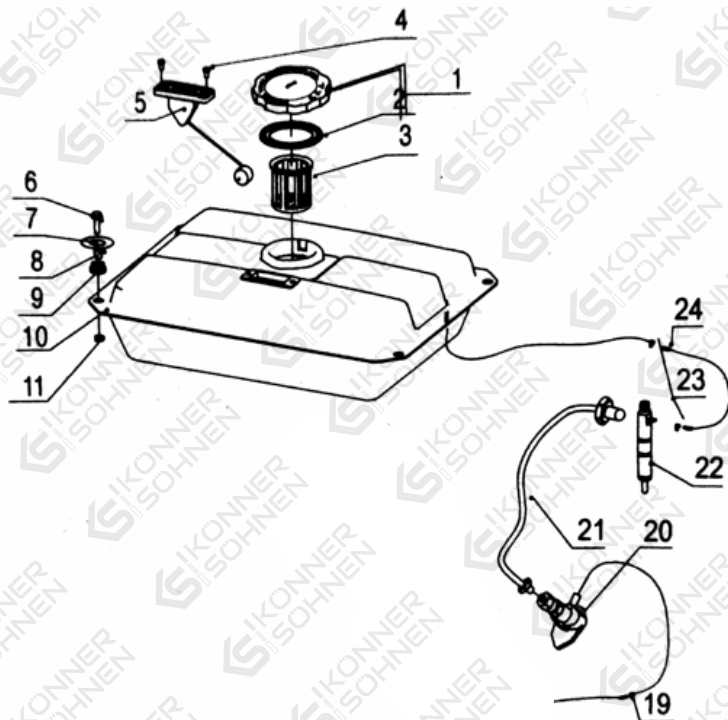


No	REF. No	DESCRIPTION	QTY
1	KS 6100HDE-5-001	Left frame	1
2	KS 6100HDE-5-002	Right frame	1
3	KS 6100HDE-5-003	Board connected	4
4	KS 6100HDE-5-004	Output panel bracket	1
5	KS 6100HDE-5-005	Back board	1

No	REF. No	DESCRIPTION	QTY
6	KS 6100HDE-5-006	Battery tray	1
9	KS 6100HDE-5-009	Carrier frame	1
10	KS 6100HDE-5-010	Rubber mount	4
11	KS 6100HDE-5-011	Washer 10	8
12	KS 6100HDE-5-012	Spring washer 10	8
13	KS 6100HDE-5-013	Nut M10	8
24	KS 6100HDE-5-024	Nylon nnut M6	1
25	KS 6100HDE-5-025	Nylon washer 6	1
26	KS 6100HDE-5-026	Hexagon socket head cap screw	1
27	KS 6100HDE-5-027	Bolt	1
28	KS 6100HDE-5-028	Washer 10	1
29	KS 6100HDE-5-029	Spring washer 10	1
30	KS 6100HDE-5-030	Nut M10	1
31	KS 6100HDE-5-031	Hexagon socket head cap screw	1
32	KS 6100HDE-5-032	Spring washer 10	1
33	KS 6100HDE-5-033	Steel tube	1

No	REF. No	DESCRIPTION	QTY
34	KS 6100HDE-5-034	Nylon nut 6	1
35	KS 6100HDE-5-035	Bolt	4
36	KS 6100HDE-5-036	Flat washer M6	4
37	KS 6100HDE-5-037	Shock absorber	4
38	KS 6100HDE-5-038	Washer 6	4
39	KS 6100HDE-5-039	Nut M6	4
40	KS 6100HDE-5-040	Rubber cover	1
41	KS 6100HDE-5-041	Decorative cover	1
42	KS 6100HDE-5-042	Rubber absorber	1
43	KS 6100HDE-5-043	Plate connecting engine and frame	1
52	KS 6100HDE-5-052	Bolt	2
53	KS 6100HDE-5-053	Universal wheel	2
54	KS 6100HDE-5-054	Directional wheel	2
55	KS 6100HDE-5-055	Bolt 8*16	16
56	KS 6100HDE-5-056	Washer 8	16
57	KS 6100HDE-5-057	Spring washer 8	16
58	KS 6100HDE-5-058	Nut M8	16

6. PARTS OF FUEL TANK

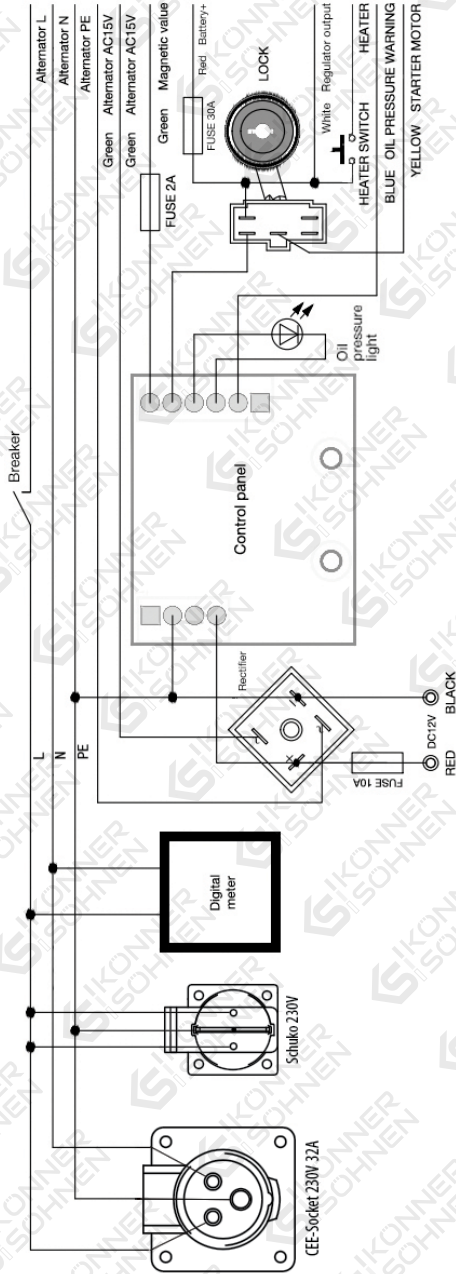


No	REF. No	DESCRIPTION	QTY
1	KS 6100HDE-6-001	Fuel cap	1
2	KS 6100HDE-6-002	Seal	1
3	KS 6100HDE-6-003	Filtering cup	1
4	KS 6100HDE-6-004	M5×10 screw	2
5	KS 6100HDE-6-005	Fuel lever indicator	1

No	REF. No	DESCRIPTION	QTY
6	KS 6100HDE-6-006	M6x25 Bolt	4
7	KS 6100HDE-6-007	Large flat washer 6	4
8	KS 6100HDE-6-008	Fuel tank lining	4
9	KS 6100HDE-6-009	Shock absorbing gasket	4
10	KS 6100HDE-6-010	Fuel tank	1
11	KS 6100HDE-6-010	M6 nut	4
19	KS 6100HDE-6-019	Fuel inlet pipe	1
20	KS 6100HDE-6-020	High pressure fuel pump	1
21	KS 6100HDE-6-021	High pressure fuel pipe	1
22	KS 6100HDE-6-022	Fuel injector	1
24	KS 6100HDE-6-024	Fuel overfill pipe	1
25	KS 6100HDE-6-025	Fuel filter	1

7. ELECTRIC SCHEME

For single phase KS 6100HDE, KS 8100HDE



CONTACTS

konner-sohnen.com

Germany

info@dimaxgroup.de

Poland

info.pl@dimaxgroup.de

Ukraine

sales@ks-power.com.ua