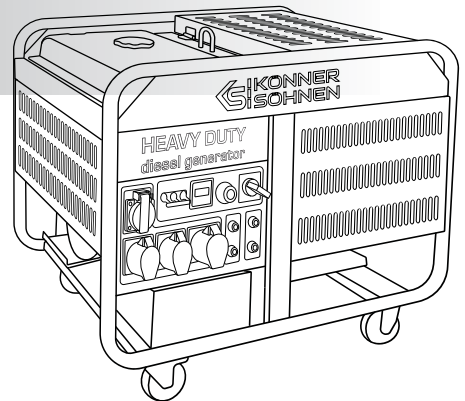
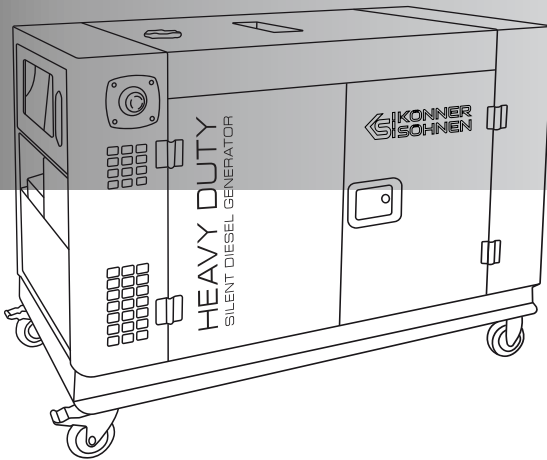


DIESEL GENERATORS EXPLODED VIEW

KS 14-1DE ATSR
KS 14-2DE ATSR
KS 14-2DE 1/3 ATSR



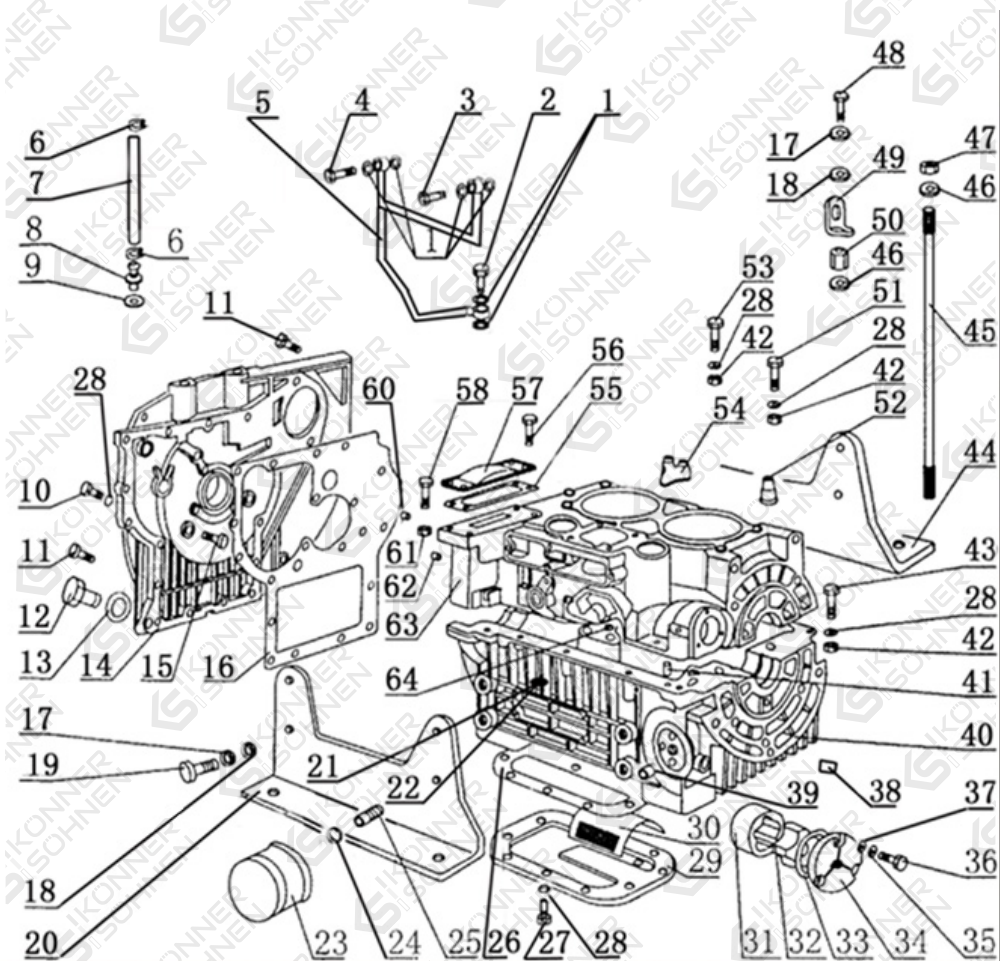
TRADITIONELLE DEUTSCHE QUALITÄT

CONTENTS

1. Case Assembly.....	2
2. Cylinder Cap Assembly.....	5
3. Camshaft Assembly.....	7
4. Assembly of crankshaft piston rod.....	8
5. Speed control system.....	10
6. Fuel system.....	12
7. Cooling and lubrication system.....	15
8. Air-inlet/outlet system.....	16
9. Electrical system.....	18
10. Case Assembly.....	20
11. Electric scheme.....	21

! This material is for informational purposes only and is not an instruction. The connection of the equipment in each case must be performed by a certified electrician, in accordance with local laws and regulations. Before connecting, we urge you to read the recommendations in the manual for the generator. The manufacturer is not responsible for improper connection of equipment, and is not responsible for possible material and physical damage that may occur as a result of improper installation, connection or operation of equipment.

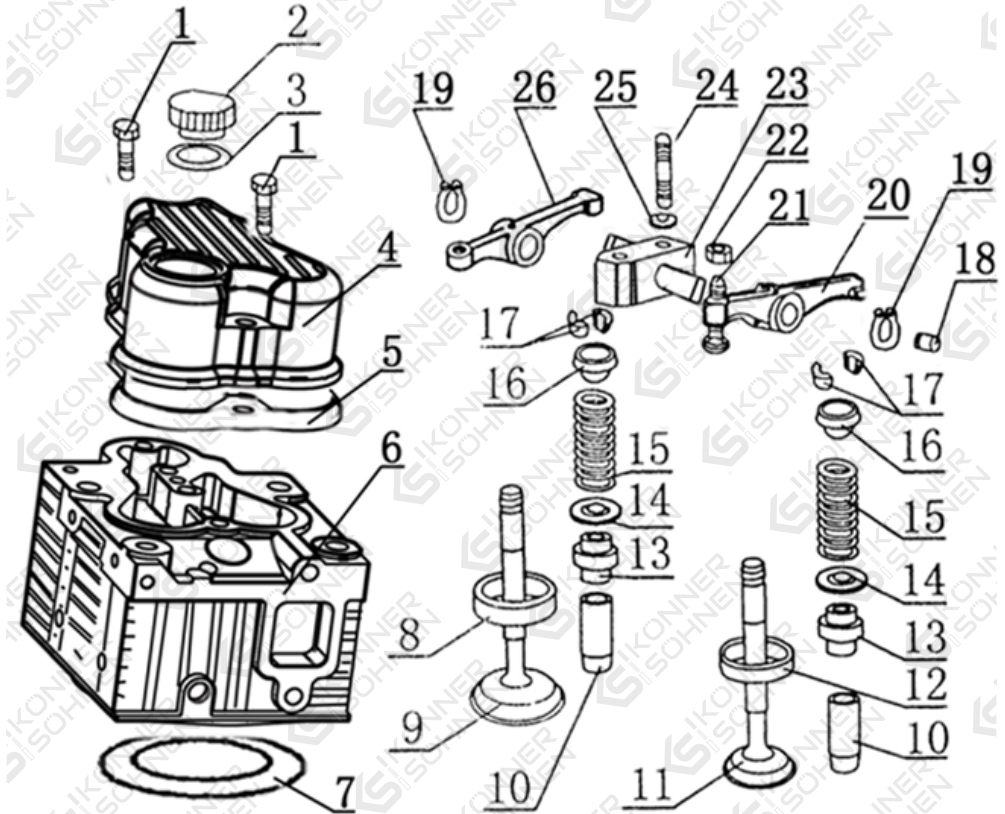
1. CASE ASSEMBLY



No	REF. No	DESCRIPTION	QTY
1	KS 14-1(2)DE-1-01	Copper Shim 8	7
2	KS 14-1(2)DE-1-02	Fastening Bolt of oil pipe (short)	1
3	KS 14-1(2)DE-1-03	Fastening Bolt of oil pipe (short)	1
4	KS 14-1(2)DE-1-04	Fastening Bolt of oil pipe (long)	1
5	KS 14-1(2)DE-1-05	Oil Pipe	1
6	KS 14-1(2)DE-1-06	φ16 Collar	2
7	KS 14-1(2)DE-1-07	Breather pipe	1
8	KS 14-1(2)DE-1-08	Joint Of Breather Pipe	1
9	KS 14-1(2)DE-1-09	Joint Of Breather Pipe	1
10	KS 14-1(2)DE-1-10	M6 X 25Hexagon Flange Bolts	15
11	KS 14-1(2)DE-1-11	M6X25 Bolt	4
12	KS 14-1(2)DE-1-12	Drain Plug	1
13	KS 14-1(2)DE-1-13	Combination Sealing Gasket 16	1
14	KS 14-1(2)DE-1-14	Side Cover	1
15	KS 14-1(2)DE-1-15	M6X20 Sunk Screw	3
16	KS 14-1(2)DE-1-16	Gasket of Side Cover	1
17	KS 14-1(2)DE-1-17	10 Washer	11
18	KS 14-1(2)DE-1-18	10 Gasket	11
19	KS 14-1(2)DE-1-19	M10X25X1.5 Bolt	8
20	KS 14-1(2)DE-1-20	Bottom Frame (Right)	1
21	KS 14-1(2)DE-1-21	9 X 1.8 O Ring	1
22	KS 14-1(2)DE-1-22	Oil Gauge	1
23	KS 14-1(2)DE-1-23	Oil Filter	1
24	KS 14-1(2)DE-1-24	13.2 X 2.65 O Ring	1
25	KS 14-1(2)DE-1-25	Stud of Oil Filter	1
26	KS 14-1(2)DE-1-26	Gasket of Bottom Cap	1
27	KS 14-1(2)DE-1-27	M6 X 20 Bolt	10
28	KS 14-1(2)DE-1-28	6 Gasket	36
29	KS 14-1(2)DE-1-29	Bottom Cap	1
30	KS 14-1(2)DE-1-30	Preliminary Screen	1
31	KS 14-1(2)DE-1-31	Inner Rotor Of Oil Pump	1
32	KS 14-1(2)DE-1-32	Outter Rotor Of Oil Pump	1

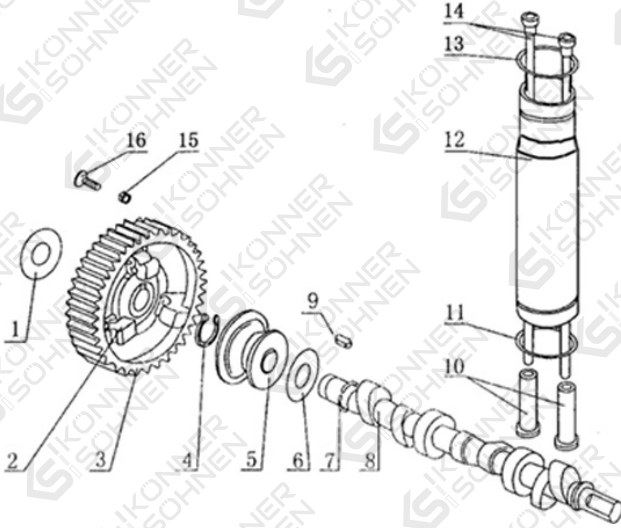
No	REF. No	DESCRIPTION	QTY
33	KS 14-1(2)DE-1-33	40 X 1.8 O Ring	1
34	KS 14-1(2)DE-1-34	Cap of Oil pump	1
35	KS 14-1(2)DE-1-35	5 Washer	3
36	KS 14-1(2)DE-1-36	M5 X 16 Bolt	3
37	KS 14-1(2)DE-1-37	5 Gasket	3
38	KS 14-1(2)DE-1-38	Big Blukhead	4
39	KS 14-1(2)DE-1-39	Pressure-limit Valve	1
40	KS 14-1(2)DE-1-40	Lower Case	1
41	KS 14-1(2)DE-1-41	Taper Pin 8X35	2
42	KS 14-1(2)DE-1-42	M6 Nut	18
43	KS 14-1(2)DE-1-43	M6 X 55Hexagon Flange Bolts	2
44	KS 14-1(2)DE-1-44	Bottom Frame (Left)	1
45	KS 14-1(2)DE-1-45	Bolt of Cylinder Cap	8
46	KS 14-1(2)DE-1-46	Gasket for Nut of Cylinder Cap	8
47	KS 14-1(2)DE-1-47	Nut of Cylinder Cap(Short)	6
48	KS 14-1(2)DE-1-48	M 10 X 1.25 X 20 Bolt	3
49	KS 14-1(2)DE-1-49	Hook	2
50	KS 14-1(2)DE-1-50	Nut of Cylinder Cap (long)	2
51	KS 14-1(2)DE-1-51	M6 X 35Hexagon Flange Bolts	1
52	KS 14-1(2)DE-1-52	Bolt Jacket of Cylinder Cover (Small)	4
53	KS 14-1(2)DE-1-53	M6 X 50Hexagon Flange Bolts	8
54	KS 14-1(2)DE-1-54	Bolt Jacket of Cylinder Cover (Big)	2
55	KS 14-1(2)DE-1-55	Gasket for Gear Cover	1
56	KS 14-1(2)DE-1-56	M8 X 16 Bolt	2
57	KS 14-1(2)DE-1-57	Gear Cover	1
58	KS 14-1(2)DE-1-58	M8 X 30 Bolt	2
59	KS 14-1(2)DE-1-59	8 Gasket	2
60	KS 14-1(2)DE-1-60	8 X12 Pin	1
61	KS 14-1(2)DE-1-61	M8 Nut	2
62	KS 14-1(2)DE-1-62	Small Blukhead	1
63	KS 14-1(2)DE-1-63	Upper Case	1
64	KS 14-1(2)DE-1-64	13.8 X1.8 O Ring	8

2. CYLINDER CAP ASSEMBLY



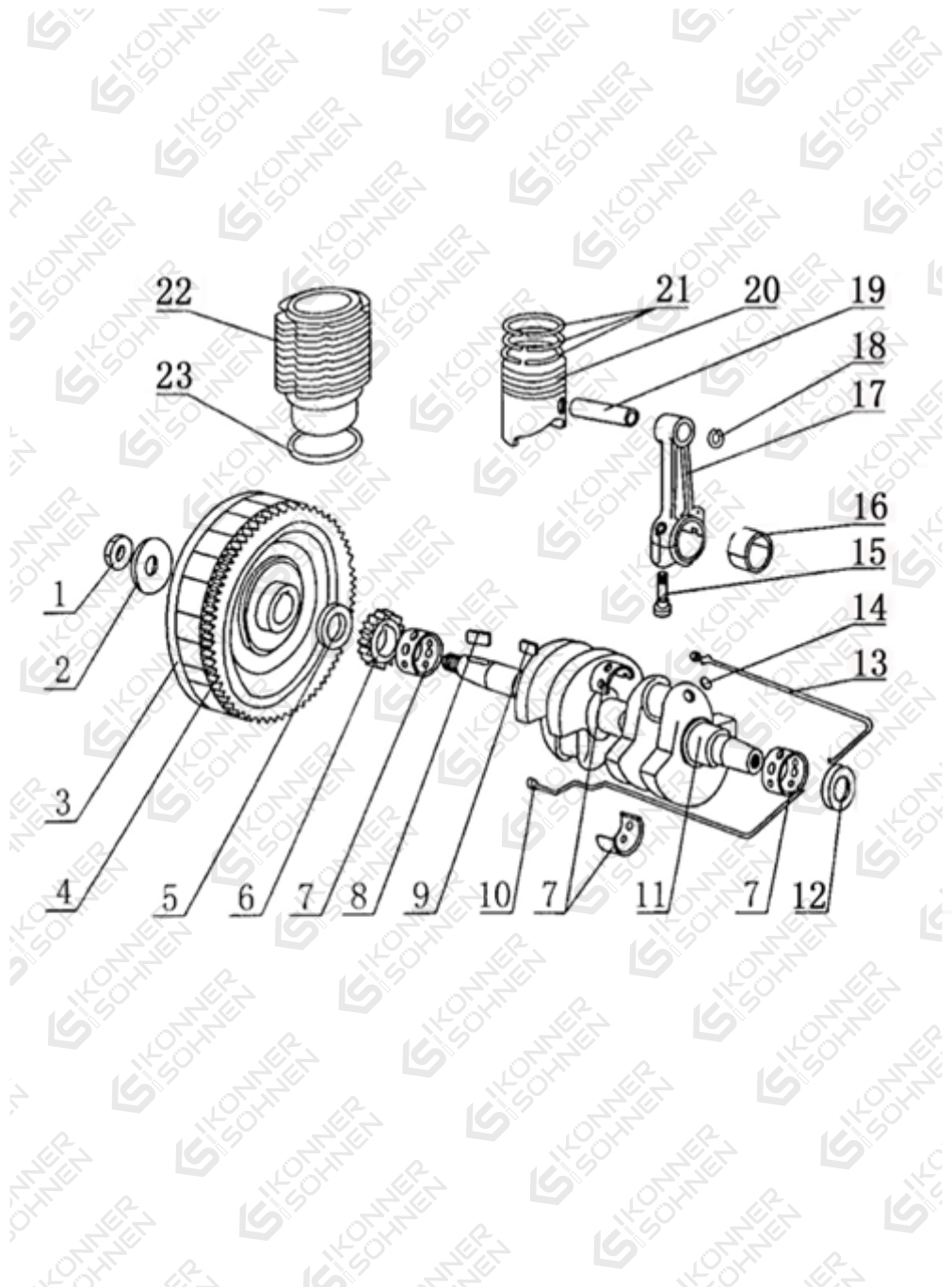
No	REF. No	DESCRIPTION	QTY
1	KS 14-1(2)DE-2-01	M8×40 Bolt	4
2	KS 14-1(2)DE-2-02	Oilling Plug	1
3	KS 14-1(2)DE-2-03	20X2.52 O Ring	1
4	KS 14-1(2)DE-2-04	Cylinder Head Cover	2
5	KS 14-1(2)DE-2-05	Gasket of Cylinder Head Cover	2
6	KS 14-1(2)DE-2-06	Cylinder Head	2
7	KS 14-1(2)DE-2-07	Gasket of Cylinder Head	2
8	KS 14-1(2)DE-2-08	Intake Valve Seat	2
9	KS 14-1(2)DE-2-09	Intake Valve	2
10	KS 14-1(2)DE-2-10	Valve Guide	4
11	KS 14-1(2)DE-2-11	Exhaust Valve	2
12	KS 14-1(2)DE-2-12	Exhaust Valve Seat	2
13	KS 14-1(2)DE-2-13	Oil Seal of Valve Guide	4
14	KS 14-1(2)DE-2-14	Bottom Seat Of Valve Sping	4
15	KS 14-1(2)DE-2-15	Valve Sping	4
16	KS 14-1(2)DE-2-16	Upper Seat of Valve Sping	4
17	KS 14-1(2)DE-2-17	Lock Plug of Valve	8
18	KS 14-1(2)DE-2-18	Plug	2
19	KS 14-1(2)DE-2-19	Type A Shaft Collar 15	4
20	KS 14-1(2)DE-2-20	Exhaust Valve Rocker	2
21	KS 14-1(2)DE-2-21	adjusting screw	4
22	KS 14-1(2)DE-2-22	M8 Nut	6
23	KS 14-1(2)DE-2-23	Seat of Rocker Shaft	2
24	KS 14-1(2)DE-2-24	Seat of Rocker Shaft Bolt	6
25	KS 14-1(2)DE-2-25	8 Washer	10
26	KS 14-1(2)DE-2-26	Intake Valve Rocker	2

3. CAMSHAFT ASSEMBLY



No	REF. No	DESCRIPTION	QTY
1	KS 14-1(2)DE-3-01	Thrust Piece	As required
2	KS 14-1(2)DE-3-02	Flyball	1
3	KS 14-1(2)DE-3-03	Camshaft Timing Gear	1
4	KS 14-1(2)DE-3-04	A Shaft Collar18	1
5	KS 14-1(2)DE-3-05	Pusher Tray	1
6	KS 14-1(2)DE-3-06	Wearing Plate	1
7	KS 14-1(2)DE-3-07	Axis With Wire Ring 18	1
8	KS 14-1(2)DE-3-08	Camshaft	1
9	KS 14-1(2)DE-3-09	4X12 Key	1
10	KS 14-1(2)DE-3-10	Tappet	4
11	KS 14-1(2)DE-3-11	37.5X3.0 O-Ring	2
12	KS 14-1(2)DE-3-12	Jacket of Push Rod	2
13	KS 14-1(2)DE-3-13	31.5X3.0 O-Ring	2
14	KS 14-1(2)DE-3-14	Push rod Assembly	4
15	KS 14-1(2)DE-3-15	M5 Locking Nut	3
16	KS 14-1(2)DE-3-16	M5X16 Bolt	3

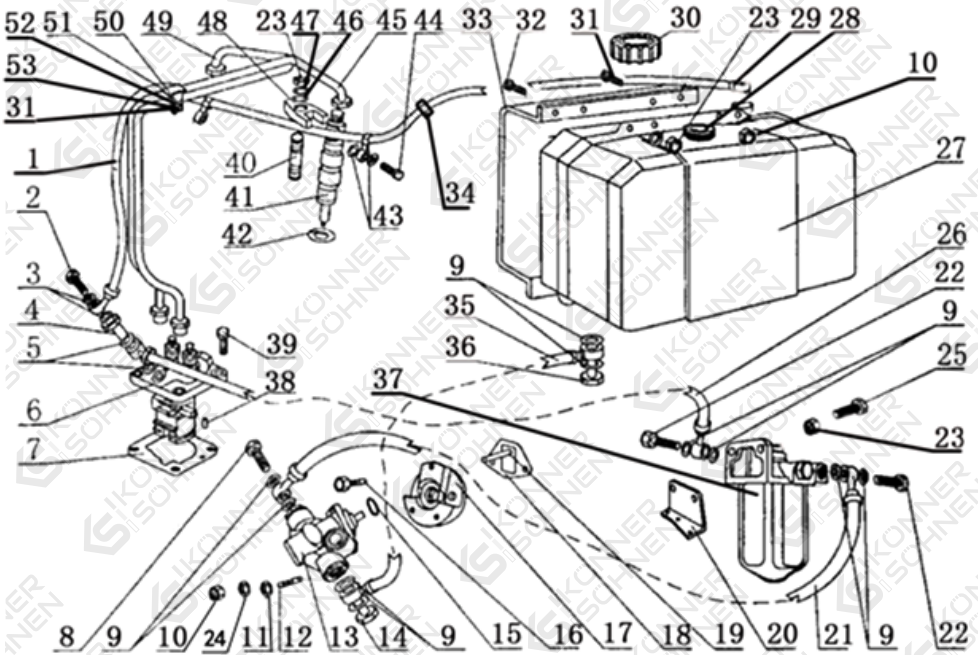
4. ASSEMBLY OF CRANKSHAFT PISTON ROD



No	REF. No	DESCRIPTION	QTY
1	KS 14-1(2)DE-4-01	Flywheel Nut	1
2	KS 14-1(2)DE-4-02	Gasket of Flywheel Nut	1
3	KS 14-1(2)DE-4-03	Flywheel	1
4	KS 14-1(2)DE-4-04	Teeth Ring	1
5	KS 14-1(2)DE-4-05	Oil Seal DL38×52×8	1
6	KS 14-1(2)DE-4-06	Timing Gear	1
7	KS 14-1(2)DE-4-07	Main bushing	6
8	KS 14-1(2)DE-4-08	6X16 Key	1
9	KS 14-1(2)DE-4-09	6X10 Key	1
10	KS 14-1(2)DE-4-10	Seal Strip (Left)	1
11	KS 14-1(2)DE-4-11	Shaft	1
12	KS 14-1(2)DE-4-12	Oil seal DR38×52×8	1
13	KS 14-1(2)DE-4-13	Seal Strip (Right)	1
14	KS 14-1(2)DE-4-14	Stell Ball 8	4
15	KS 14-1(2)DE-4-15	Boltt of Connecting Rod	4
16	KS 14-1(2)DE-3-16	Connecting Rod Bushing	4
17	KS 14-1(2)DE-4-17	Connecting Rod	2
18	KS 14-1(2)DE-4-18	Type A Hole Collar 26	4
19	KS 14-1(2)DE-4-19	Piston Pin	2
20	KS 14-1(2)DE-4-20	Piston	1
21	KS 14-1(2)DE-4-21	Piston Ring	1
22	KS 14-1(2)DE-4-22	Cylinder Liner	2
23	KS 14-1(2)DE-4-23	Gasket Of Cylinder Housing	2

No	REF. No	DESCRIPTION	QTY
12	KS 14-1(2)DE-5-12	M6X18 Bolt	3
13	KS 14-1(2)DE-5-13	Steering Rocker-arm	1
14	KS 14-1(2)DE-5-14	12 Butterfly Washer	1
15	KS 14-1(2)DE-5-15	Manipulation of Axis Adjustment Shim	As required
16	KS 14-1(2)DE-5-16	12 Gasket	2
17	KS 14-1(2)DE-5-17	6 Large Gasket	1
18	KS 14-1(2)DE-5-18	M6X10 Bolt	1
19	KS 14-1(2)DE-5-19	M8X16 Bolt	1
20	KS 14-1(2)DE-5-20	M8 Nut	1
21	KS 14-1(2)DE-5-21	Bolt of Dragline	1
22	KS 14-1(2)DE-5-22	M6X35 Bolt	2
23	KS 14-1(2)DE-5-23	M6 Nut	2
24	KS 14-1(2)DE-5-24	Positioning Seat	1
25	KS 14-1(2)DE-5-25	Operating Shaft	1
26	KS 14-1(2)DE-5-26	8 Split Washer	1
27	KS 14-1(2)DE-5-27	9x1.8 O ring	2
28	KS 14-1(2)DE-5-28	Self Locking Nut	1
29	KS 14-1(2)DE-5-29	Spacing Screw	1
30	KS 14-1(2)DE-5-30	Governor Sping	1
31	KS 14-1(2)DE-5-31	1.2X16.3 R-type Pin	1
32	KS 14-1(2)DE-5-32	Governor Lever	1
33	KS 14-1(2)DE-5-33	1.6X14 Pin	2
34	KS 14-1(2)DE-5-34	Drawbar	1
35	KS 14-1(2)DE-5-35	Ball Nut	1
36	KS 14-1(2)DE-5-36	Hole With A Wire Ring 8	1
37	KS 14-1(2)DE-5-37	Fork	1
38	KS 14-1(2)DE-5-38	Stabilization Sping	1
39	KS 14-1(2)DE-5-39	1X12 Pin	2
40	KS 14-1(2)DE-5-40	Lever Shaft	1
41	KS 14-1(2)DE-5-41	3.15X1.8 O Ring	2
42	KS 14-1(2)DE-5-42	Parking Shaft	1
43	KS 14-1(2)DE-5-43	Gasket For Rack Cover	1

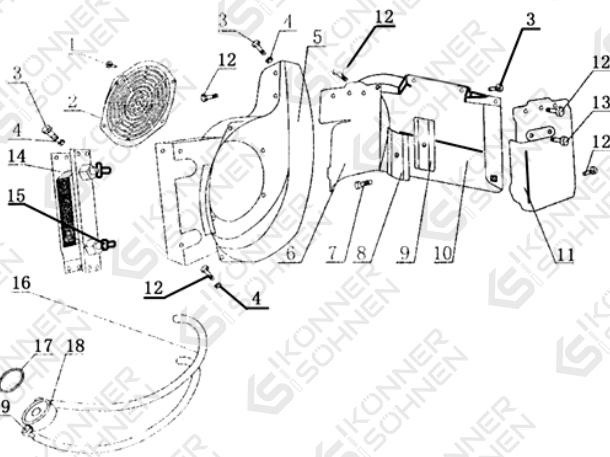
6. FUEL SYSTEM



No	REF. No	DESCRIPTION	QTY
1	KS 14-1(2)DE-6-01	Oil Return Pipe	1
2	KS 14-1(2)DE-6-02	Oil Return Pipe Bolt	1
3	KS 14-1(2)DE-6-03	Copper Shim 8	2
4	KS 14-1(2)DE-6-04	Oil Delivery Pipe Bolt	1
5	KS 14-1(2)DE-6-05	Copper Shim 12	2
6	KS 14-1(2)DE-6-06	Fuel Injection Pump Assembly	1
7	KS 14-1(2)DE-6-07	Gasket for Fuel Injection Pump	As required
8	KS 14-1(2)DE-6-08	Oil Pump Outflow Bolt	1
9	KS 14-1(2)DE-6-09	Combination Sealing Gasket 14	10
10	KS 14-1(2)DE-6-10	M6 Nut	3
11	KS 14-1(2)DE-6-11	6 Gasket	3
12	KS 14-1(2)DE-6-12	Oil Pump Stud	3
13	KS 14-1(2)DE-6-13	Oil Pump Assembly	1
14	KS 14-1(2)DE-6-14	Oil Pump Inflow Bolt	1
15	KS 14-1(2)DE-6-15	13X2.65 O Ring	1
16	KS 14-1(2)DE-6-16	M8X25 Soket Head Cap Screw	2
17	KS 14-1(2)DE-6-17	Seat Of Oil Pump	1
18	KS 14-1(2)DE-6-18	Seat Gasket of Oil Pump	1
19	KS 14-1(2)DE-6-19	Top Pin	1
20	KS 14-1(2)DE-6-20	Connecting Plate Of Fuel Filter	1
21	KS 14-1(2)DE-6-21	Oil Delivery Pipe II	1
22	KS 14-1(2)DE-6-22	Fuel Filter Bolt	3
23	KS 14-1(2)DE-6-23	M8 Nut	6
24	KS 14-1(2)DE-6-24	6 Washer	3
25	KS 14-1(2)DE-6-25	M8X30 Bolt	2
26	KS 14-1(2)DE-6-26	Oil Delivery Pipe III	1
27	KS 14-1(2)DE-6-27	Fuel Tank	1

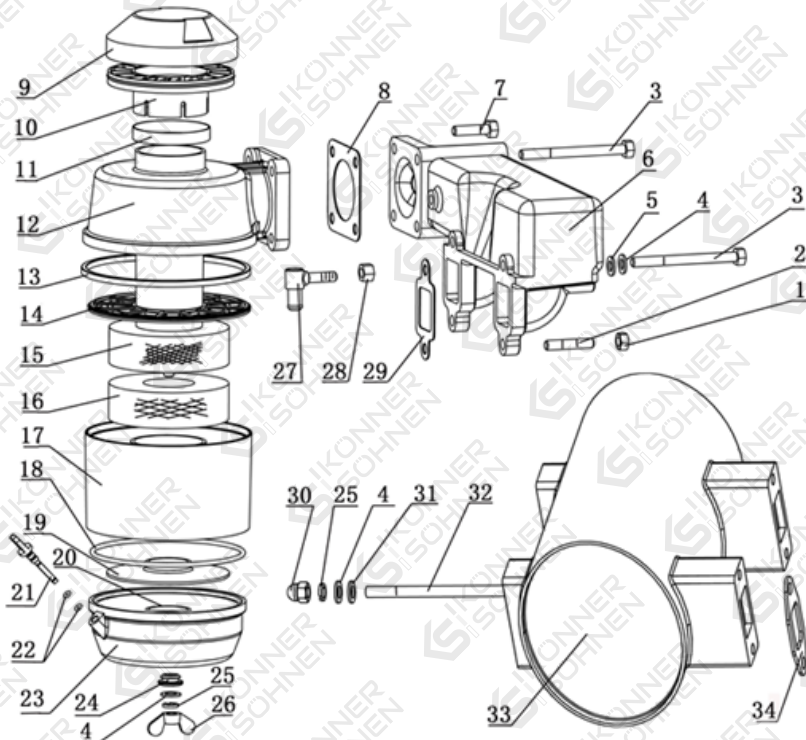
No	REF. No	DESCRIPTION	QTY
28	KS 14-1(2)DE-6-28	Oil Filter	1
29	KS 14-1(2)DE-6-29	Oil Return Pipe Tipe-in	1
30	KS 14-1(2)DE-6-30	Fuel Tank Cap	1
31	KS 14-1(2)DE-6-31	M6X16 Bolt	5
32	KS 14-1(2)DE-6-32	M8X16 Bolt	4
33	KS 14-1(2)DE-6-33	Fuel Tank Bracket	1
34	KS 14-1(2)DE-6-34	φ9 Collar	2
35	KS 14-1(2)DE-6-35	Oil Delivery Pipe I	1
36	KS 14-1(2)DE-6-36	Fuel Tank Outflow Bolt	1
37	KS 14-1(2)DE-6-37	Fuel Filter	1
38	KS 14-1(2)DE-6-38	4X8 Round pin	1
39	KS 14-1(2)DE-6-39	M8X25 Bolt	4
40	KS 14-1(2)DE-6-40	AM8x40 Double Ends Bolt	2
41	KS 14-1(2)DE-6-41	Fuel Injector Assembl	2
42	KS 14-1(2)DE-6-42	Fuel Injector gasket	As required
43	KS 14-1(2)DE-6-43	Copper Shim 6	4
44	KS 14-1(2)DE-6-44	Fuel Injector Bolt	2
45	KS 14-1(2)DE-6-45	High-pressure Oil Pipe Assembly II	1
46	KS 14-1(2)DE-6-46	Spherical Washers	2
47	KS 14-1(2)DE-6-47	8 Washer	2
48	KS 14-1(2)DE-6-48	Clamping Plate Of Injector	2
49	KS 14-1(2)DE-6-49	High-pressure Oil Pipe Assembly I	1
50	KS 14-1(2)DE-6-50	Fixture Block I	1
51	KS 14-1(2)DE-6-51	Fixture Block II	1
52	KS 14-1(2)DE-6-52	Cushion	2
53	KS 14-1(2)DE-6-53	M6 Hexagon Flange Nut	5

7. COOLING AND LUBRICATION SYSTEM



No	REF. No	DESCRIPTION	QTY
1	KS 14-1(2)DE-7-01	M6X8 Bolt	1
2	KS 14-1(2)DE-7-02	Air - Inlet Cover	1
3	KS 14-1(2)DE-7-03	M6X18 Bolt	8
4	KS 14-1(2)DE-7-04	M6 Nut	6
5	KS 14-1(2)DE-7-05	Air Dust	1
6	KS 14-1(2)DE-7-06	Front Air Baffle	1
7	KS 14-1(2)DE-7-07	M5X16 Bolt	1
8	KS 14-1(2)DE-7-08	Left Air Baffle	1
9	KS 14-1(2)DE-7-09	Left Air Baffle Assembly	1
10	KS 14-1(2)DE-7-10	Draught Plate	1
11	KS 14-1(2)DE-7-11	Rear Air Baffle	1
12	KS 14-1(2)DE-7-12	M6X12 Bolt	8
13	KS 14-1(2)DE-7-13	M8X16 Bolt	2
14	KS 14-1(2)DE-7-14	Oil Cooler Assembly	1
15	KS 14-1(2)DE-7-15	3-Joint	2
16	KS 14-1(2)DE-7-16	Oil Cooler Pipe	2
17	KS 14-1(2)DE-7-17	60X2.65 O Ring	1
18	KS 14-1(2)DE-7-18	Seat Of Oil Filter	1
19	KS 14-1(2)DE-7-19	2-Straight Joint	2

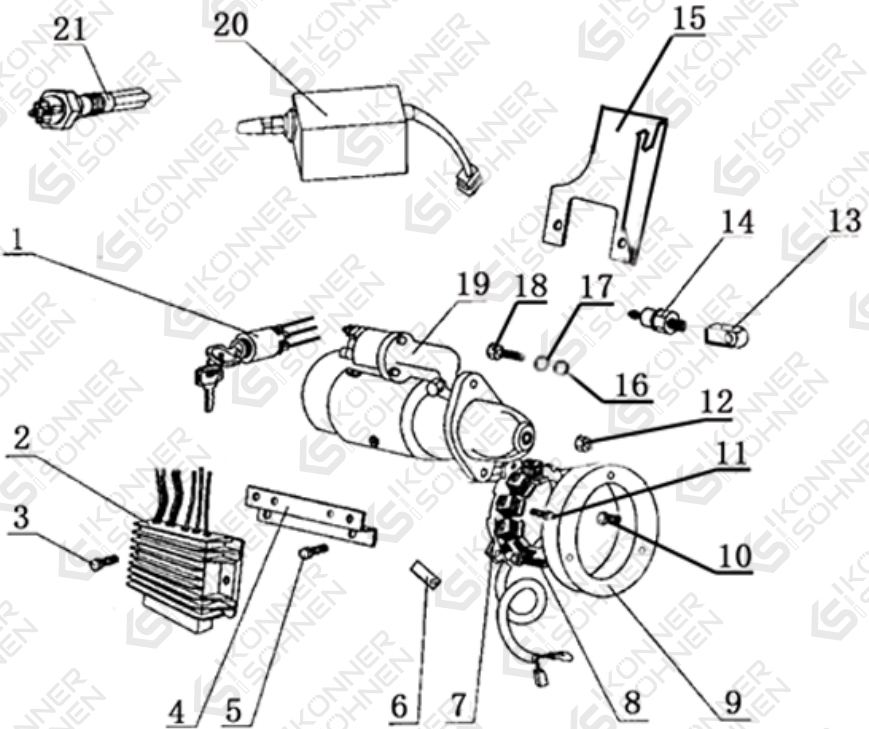
8. AIR-INLET/OUTLET SYSTEM



No	REF. No	DESCRIPTION	QTY
1	KS 14-1(2)DE-8-01	M8 Soket Head Cap Screw	2
2	KS 14-1(2)DE-8-02	M8X25 Double-end Bolt	2

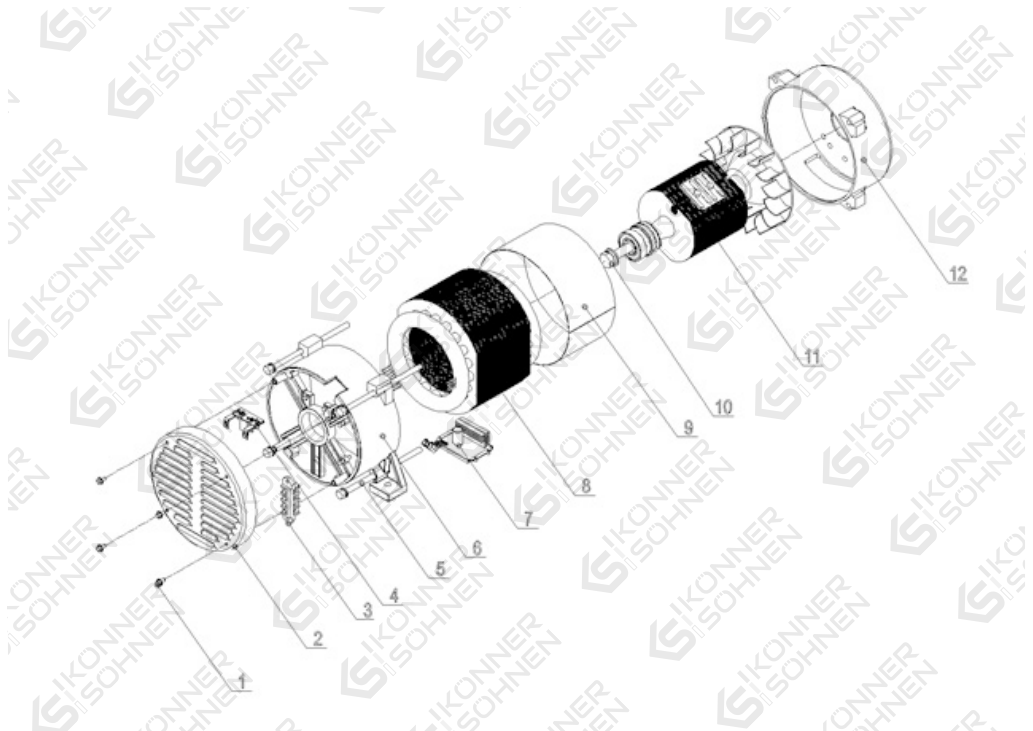
No	REF. No	DESCRIPTION	QTY
3	KS 14-1(2)DE-8-03	M8X90 Hexagon Flange Bolts	4
4	KS 14-1(2)DE-8-04	8 Gasket	7
5	KS 14-1(2)DE-8-05	Combination Sealing Gasket 8	2
6	KS 14-1(2)DE-8-06	Intake Manifold	1
7	KS 14-1(2)DE-8-07	M8X30 Hexagon Flange Bolts	2
8	KS 14-1(2)DE-8-08	Air filter Gasket	1
9	KS 14-1(2)DE-8-09	Cyclone Coarse Filter Cover	1
10	KS 14-1(2)DE-8-10	Cyclone Coarse Filter	1
11	KS 14-1(2)DE-8-11	50-70 Clamp	1
12	KS 14-1(2)DE-8-12	Shell	1
13	KS 14-1(2)DE-8-13	Sealing Ring	1
14	KS 14-1(2)DE-8-14	Filter Cover	1
15	KS 14-1(2)DE-8-15	Fine Filter	1
16	KS 14-1(2)DE-8-16	Coarse Filter	1
17	KS 14-1(2)DE-8-17	Filter Housing	1
18	KS 14-1(2)DE-8-18	119.6X3.55 O Ring	1
19	KS 14-1(2)DE-8-19	Oil Baffle Disc	1
20	KS 14-1(2)DE-8-20	Lacquer Tray Sealing Ring	1
21	KS 14-1(2)DE-8-21	Oil Dipstick	1
22	KS 14-1(2)DE-8-22	3.15X1.8 O Ring	2
23	KS 14-1(2)DE-8-23	Lacquer Tray	1
24	KS 14-1(2)DE-8-24	Damping Sealing Compound Gasket	1
25	KS 14-1(2)DE-8-25	8 Washer	5
26	KS 14-1(2)DE-8-26	M8 Butterfly Nut	1
27	KS 14-1(2)DE-8-27	Intake Manifold Ventilation Joint	1
28	KS 14-1(2)DE-8-28	M8 Nut	1
29	KS 14-1(2)DE-8-29	Intake Manifold Gasket	2
30	KS 14-1(2)DE-8-30	M8 Gap Nut	4
31	KS 14-1(2)DE-8-31	Gasket of Muffler Nut	4
32	KS 14-1(2)DE-8-32	Muffler Stud	4
33	KS 14-1(2)DE-8-31	Muffler Assembly	1
34	KS 14-1(2)DE-8-32	Gasket of Exhaust Pipe	2

9. ELECTRICAL SYSTEM



No	REF. No	DESCRIPTION	QTY
1	KS 14-1(2)DE-9-01	Starting Switch	1
2	KS 14-1(2)DE-9-02	Voltage Regulator	1
3	KS 14-1(2)DE-9-03	M6X14 Bolt	2
4	KS 14-1(2)DE-9-04	Bracket of Voltage Regulator	1
5	KS 14-1(2)DE-9-05	M8X16 Bolt	2
6	KS 14-1(2)DE-9-06	Wiring Clip of generator	1
7	KS 14-1(2)DE-9-07	Seat Of Generator stator	1
8	KS 14-1(2)DE-9-08	Generator Stator	1
9	KS 14-1(2)DE-9-09	Generator Rotor	1
10	KS 14-1(2)DE-9-10	M6X16 Sunk Screw	3
11	KS 14-1(2)DE-9-11	M6X22 Bolt	3
12	KS 14-1(2)DE-9-12	M6 Soked Head Cap Screw	3
13	KS 14-1(2)DE-9-13	Pressure alarm Block	1
14	KS 14-1(2)DE-9-14	Oil pressure alarm Outline	1
15	KS 14-1(2)DE-9-15	Fixture of Electricity Flameout	1
16	KS 14-1(2)DE-9-16	10 Gasket	2
17	KS 14-1(2)DE-9-17	10 Washer	2
18	KS 14-1(2)DE-9-18	"M10 X 25 Soked Head Cap Screw"	2
19	KS 14-1(2)DE-9-19	Start motor	1
20	KS 14-1(2)DE-9-20	Electricity Falmeout	1
21	KS 14-1(2)DE-9-21	Flame Heater	1

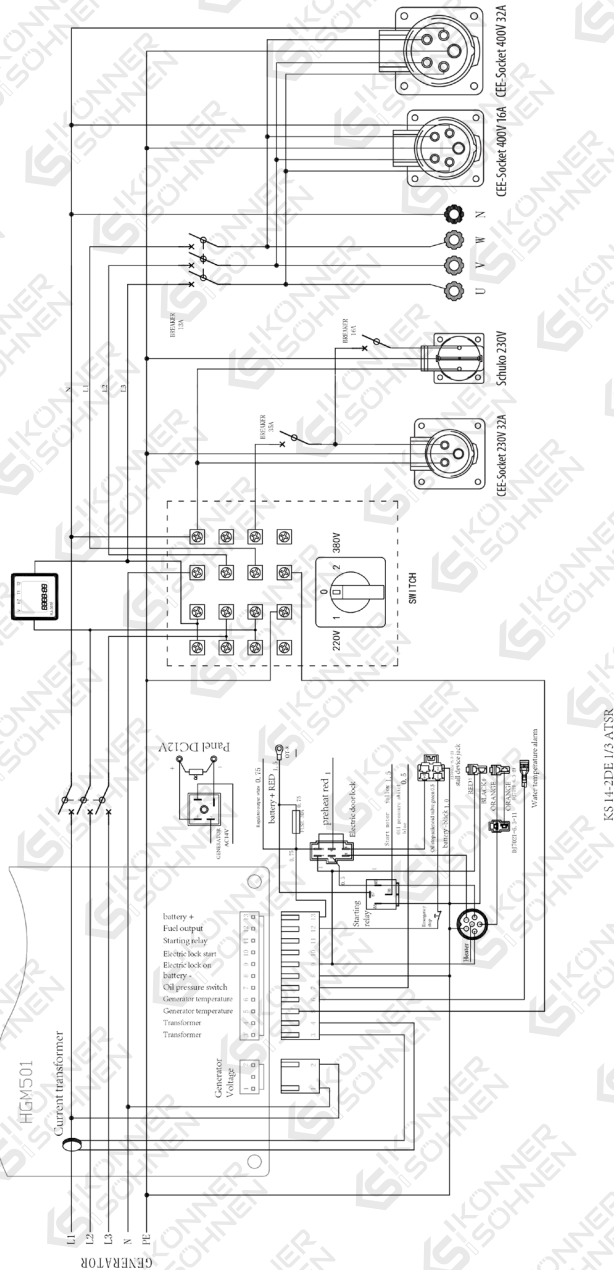
10. CASE ASSEMBLY



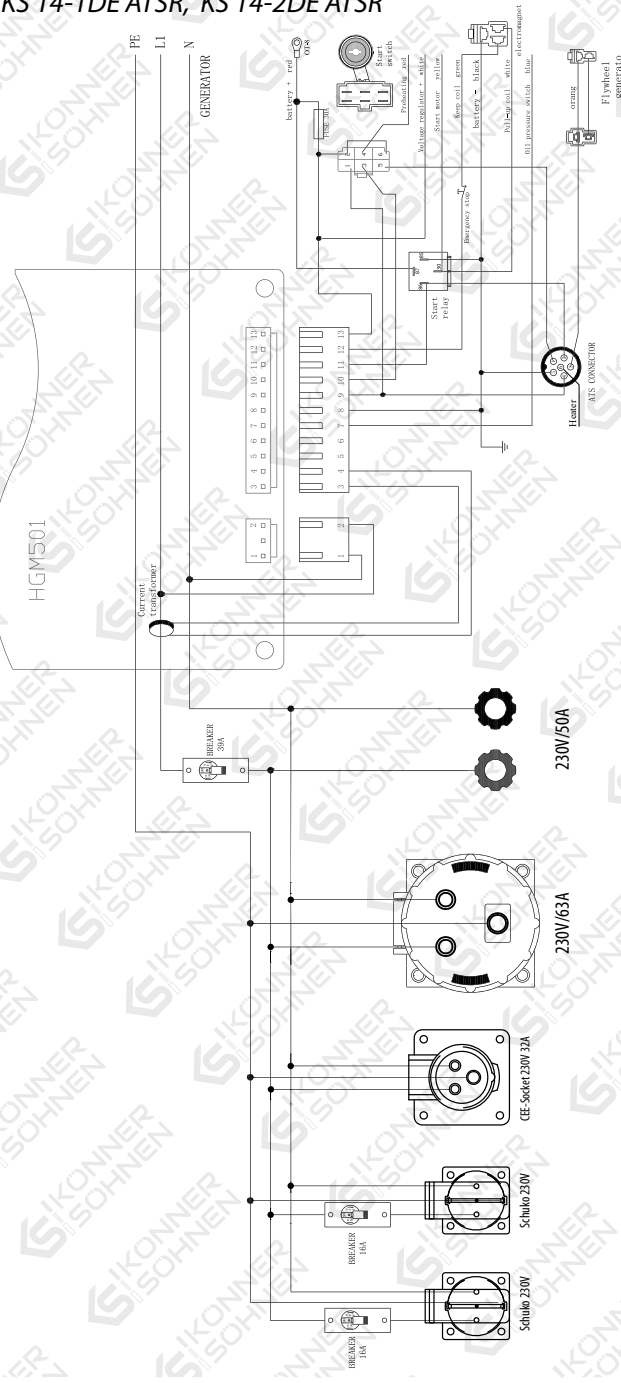
No	REF. No	DESCRIPTION	QTY
1	KS 14-1(2)DE-10-01	Boltwith flangeface	4
2	KS 14-1(2)DE-10-02	Tailcover	1
3	KS 14-1(2)DE-10-03	Line bank	1
4	KS 14-1(2)DE-109-04	Carbin brush	1
5	KS 14-1(2)DE-10-05	Boltwith flangeface	4
6	KS 14-1(2)DE-10-06	Rear end cober	1
7	KS 14-1(2)DE-10-07	AVR	1
8	KS 14-1(2)DE-10-08	Stator	1
9	KS 14-1(2)DE-10-09	Shield	1
10	KS 14-1(2)DE-10-10	Center bolt	1
11	KS 14-1(2)DE-10-11	Rotor	1
12	KS 14-1(2)DE-10-12	Front end cover	1

11. ELECTRIC SCHEME

For model KS 14-2DE 1/3 ATSR



For models KS 14-1DE ATSR, KS 14-2DE ATSR



CONTACTS

konner-sohnen.com

Germany

info@dimaxgroup.de

Poland

info.pl@dimaxgroup.de

Ukraine

sales@ks-power.com.ua