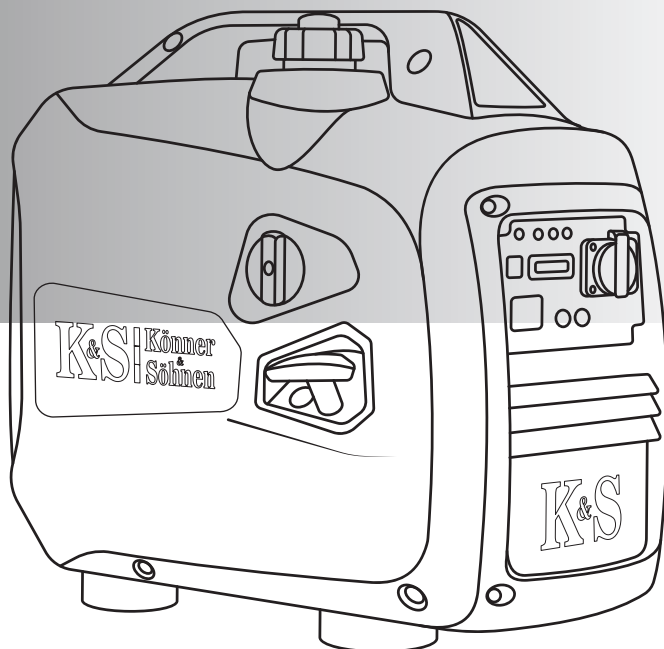


INVERTER GENERATOR

EXPLODED VIEW

KS 2000i S

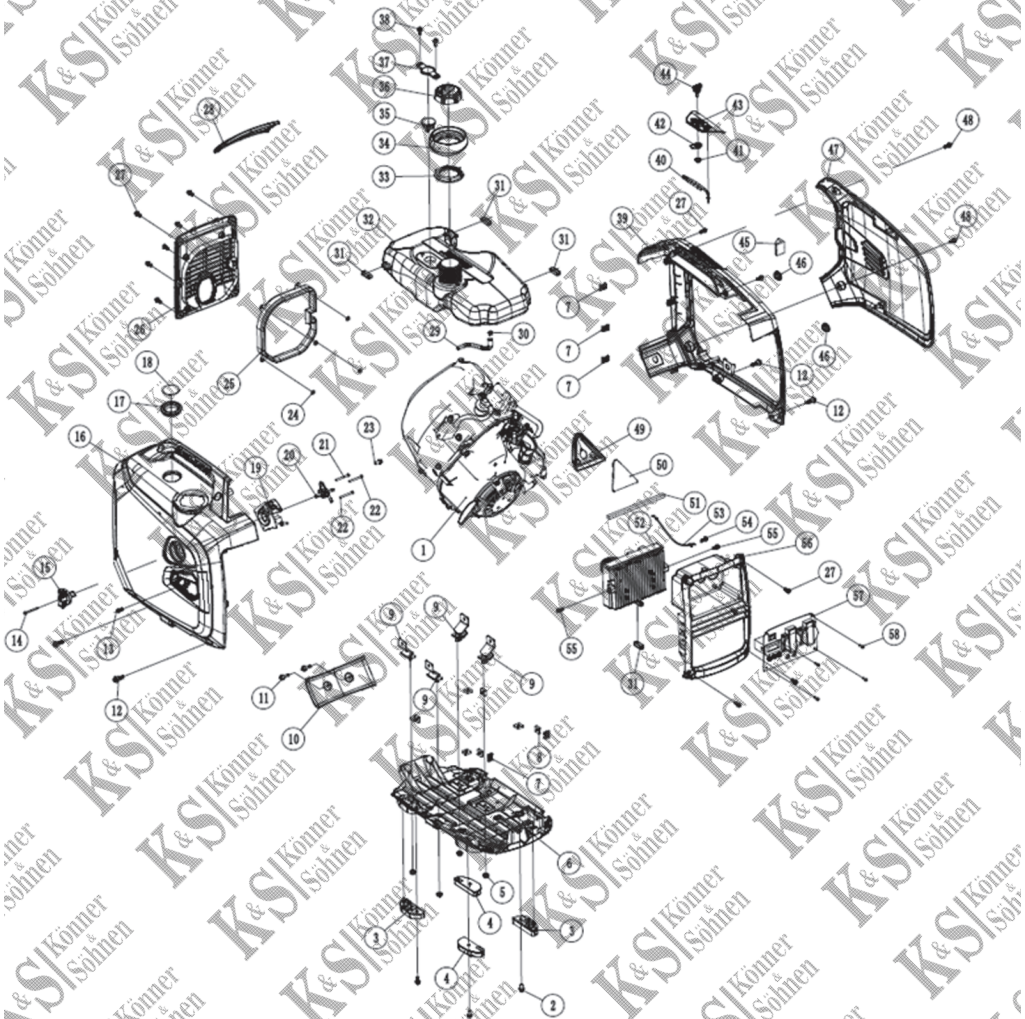


TRADITIONELLE DEUTSCHE QUALITÄT

CONTENTS

1.Parts of generator.....	2
2.Cylinder head.....	7
3.Crank case.....	8
4.Crank case cover.....	9
5.Crankshaft/piston.....	10
6.Gas distribution adjustment.....	12
7.Starter subassembly and air cleaner.....	14
8.Flywheel.....	15
9.Muffler.....	16
9. Carburetor.....	17

1. PARTS OF GENERATOR



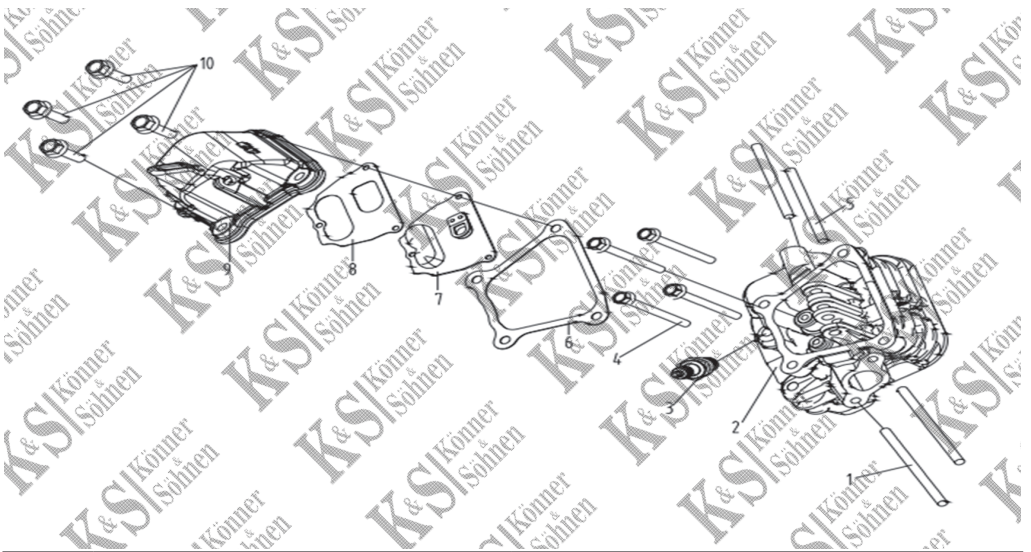
No	REF. No	DESCRIPTION	QTY
1	KS 2000i S-1-01	Engine comp.	1
2	KS 2000i S-1-02	Hexagon face bolt	4
3	KS 2000i S-1-03	Frame damping seat combination	2
4	KS 2000i S-1-04	Frame damping seat combination	2
5	KS 2000i S-1-05	Hexagon flange nut	4
6	KS 2000i S-1-06	Bottom plate combination	1
7	KS 2000i S-1-07	Clamp nut	10
8	KS 2000i S-1-08	Square nut	8
9	KS 2000i S-1-09	Left cushion combination	4
10	KS 2000i S-1-10	Decorative plate	1
11	KS 2000i S-1-11	Cross groove hexagon bolt	2
12	KS 2000i S-1-12	Hexagon step bolts	4
13	KS 2000i S-1-13	Cross groove disc head screws	1
14	KS 2000i S-1-14	Cross groove disc head screws	1
15	KS 2000i S-1-15	Knob combination	1

No	REF. No	DESCRIPTION	QTY
16	KS 2000i S-1-16	Left cover comp.	1
17	KS 2000i S-1-17	Rubber pad	1
18	KS 2000i S-1-18	Oil guage window	1
19	KS 2000i S-1-19	Start Switch Combination	1
20	KS 2000i S-1-20	Oil Switch Combination	1
21	KS 2000i S-1-21	Cross disc head self-tapping screws	1
22	KS 2000i S-1-22	Cross disc head self-tapping screws	2
23	KS 2000i S-1-23	Hexagon flange bolts	1
24	KS 2000i S-1-24	Bearing clamp ring	4
25	KS 2000i S-1-25	Muffler guide cover	1
26	KS 2000i S-1-26	Muffler cover	1
27	KS 2000i S-1-27	Hexagon step bolts	12
28	KS 2000i S-1-28	Decorative plate	1
29	KS 2000i S-1-29	Oil pipe	1
30	KS 2000i S-1-30	Clamping band	1

No	REF. No	DESCRIPTION	QTY
31	KS 2000i S-1-31	Support rubber sleeve	4
32	KS 2000i S-1-32	Fuel tank combination	1
33	KS 2000i S-1-33	Retainer nut	1
34	KS 2000i S-1-34	Support rubber sleeve	1
35	KS 2000i S-1-35	Oil guage Combination	1
36	KS 2000i S-1-36	Fuel Tank Cover Combination	1
37	KS 2000i S-1-37	Oil guage cover	1
38	KS 2000i S-1-38	Hexagon flange bolts	2
39	KS 2000i S-1-39	Right cover frame comp.	1
40	KS 2000i S-1-40	Rubber rope	1
41	KS 2000i S-1-41	Nylon hexagon lock nut	1
42	KS 2000i S-1-42	Block combination	1
43	KS 2000i S-1-43	Maintenance door	1
44	KS 2000i S-1-44	Knob combination	1
45	KS 2000i S-1-45	Buffer rubber cushion support	1

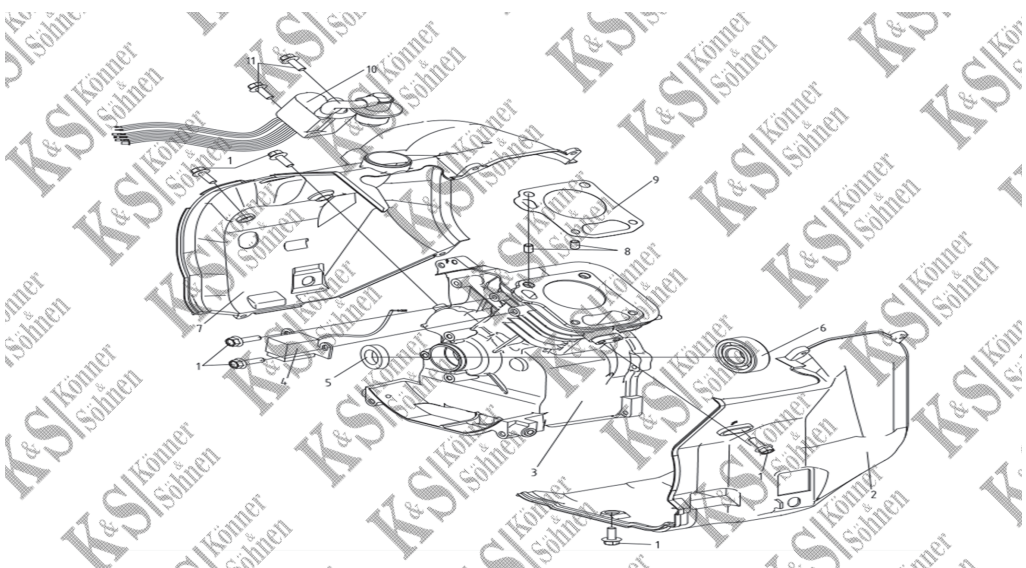
No	REF. No	DESCRIPTION	QTY
46	KS 2000i S-1-46	Fasten rubber sleeve	1
47	KS 2000i S-1-47	Right cover	1
48	KS 2000i S-1-48	Hexagon step bolts	2
49	KS 2000i S-1-49	Decorative board seats	1
50	KS 2000i S-1-50	Decorative plate	1
51	KS 2000i S-1-51	Muffler cotton	1
52	KS 2000i S-1-52	Inverter components	1
53	KS 2000i S-1-53	Connecting line	1
54	KS 2000i S-1-54	Hexagon flange bolts	1
55	KS 2000i S-1-55	Cross slot disc head screws	2
56	KS 2000i S-1-56	Panel seat combination	1
57	KS 2000i S-1-57	Control panel combination	1
58	KS 2000i S-1-58	Cross slot disc head screws	4

2. CYLINDER HEAD



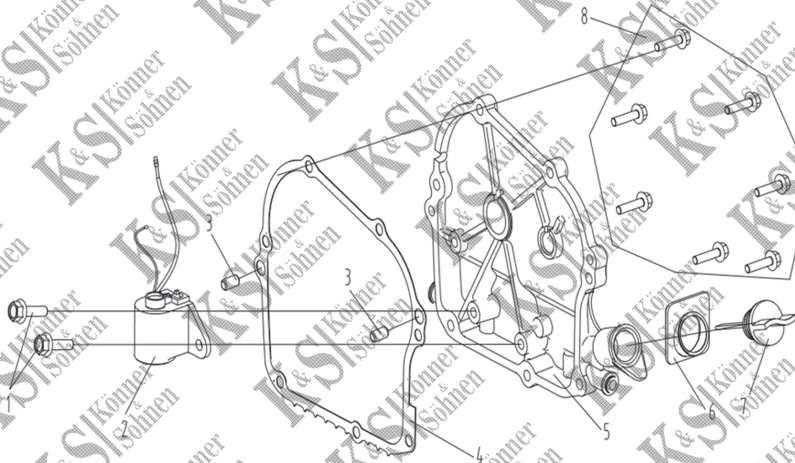
No	REF. No	DESCRIPTION	QTY
1	KS 2000i S-2-01	Air Intake Double-headed Bolts	2
2	KS 2000i S-2-02	Cylinder Head Combination	1
3	KS 2000i S-2-03	Plug , Spark	1
4	KS 2000i S-2-04	Bolt,Cylinder Head	4
5	KS 2000i S-2-05	Exhaust Double Headed Bolt	2
6	KS 2000i S-2-06	Cylinder Cover Sealing Pad	1
7	KS 2000i S-2-07	Breath Cover Plate	1
8	KS 2000i S-2-08	Air Groove Cover Plate Gasket	1
9	KS 2000i S-2-09	Cover Comp ., Head	1
10	KS 2000i S-2-10	Bolt , Flange , 6x20	4

3. CRANK CASE



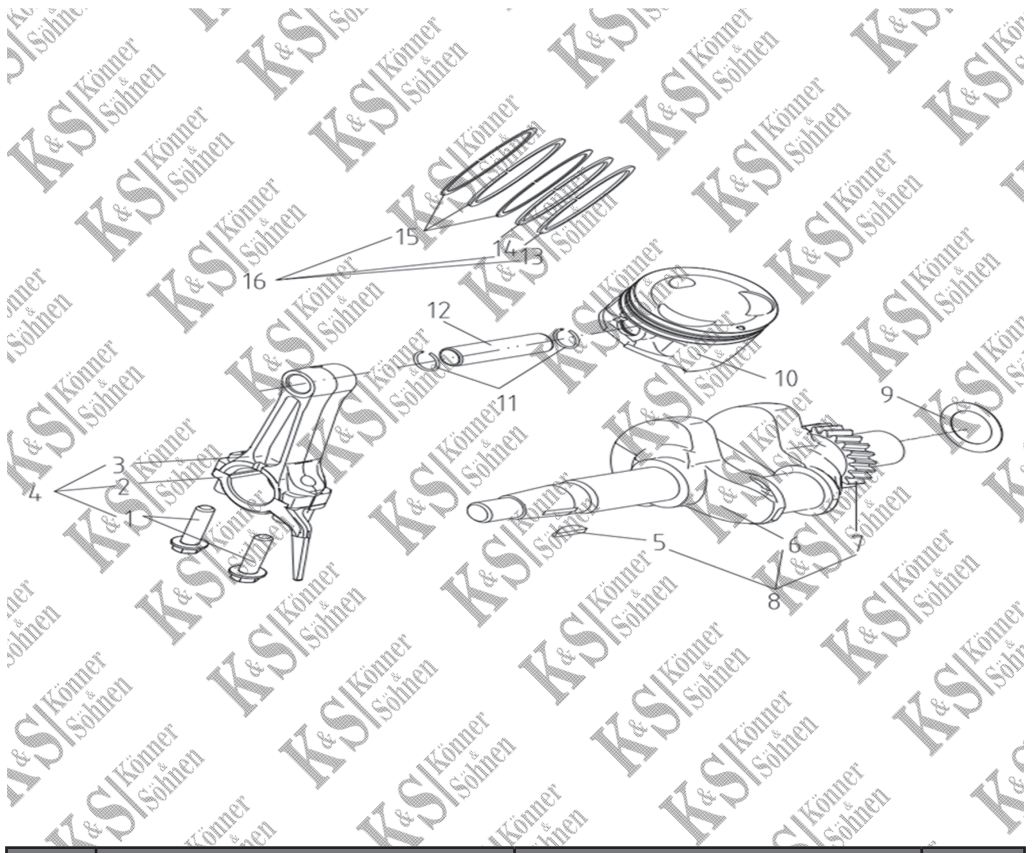
No	REF. No	DESCRIPTION	QTY
1	KS 2000i S-3-01	Bolt , Flange , 6x12	6
2	KS 2000i S-3-02	Air Deflector, Box	1
3	KS 2000i S-3-03	Crankshaft Box Body Combination	1
4	KS 2000i S-3-04	Trigger Combination	1
5	KS 2000i S-3-05	Oil Seal	1
6	KS 2000i S-3-06	Bearing , Radlal Ball	1
7	KS 2000i S-3-07	Air Deflector, Box	1
8	KS 2000i S-3-08	Pin , Dowel	2
9	KS 2000i S-3-09	Cylinder Head Sealing Pad Combination	1
10	KS 2000i S-3-10	Firewire Ring Parts	1
11	KS 2000i S-3-11	Tapping Screw	2

4. CRANK CASE COVER



No	REF. No	DESCRIPTION	QTY
1	KS 2000i S-4-01	Bolt , Flange , 6x14	2
2	KS 2000i S-4-02	Oil Sensor	1
3	KS 2000i S-4-03	Pin , Dowel	2
4	KS 2000i S-4-04	Crankcase Sealing Pad	1
5	KS 2000i S-4-05	Crankcase Cover	1
6	KS 2000i S-4-06	Oil Nozzle Rubber Sleeve	1
7	KS 2000i S-4-07	Oil Ruler Combination	1
8	KS 2000i S-4-08	Bolt , Flange , 6x20	7

5. CRANKSHAFT/PISTON



No	REF. No	DESCRIPTION	QTY
1	KS 2000i S-5-01	Connecting Rod Bolt	2
2	KS 2000i S-5-02	Cap Conrod	1
3	KS 2000i S-5-03	Rod, Connecting	1
4	KS 2000i S-5-04	Connecting Rod	1
5	KS 2000i S-5-05	Key	1

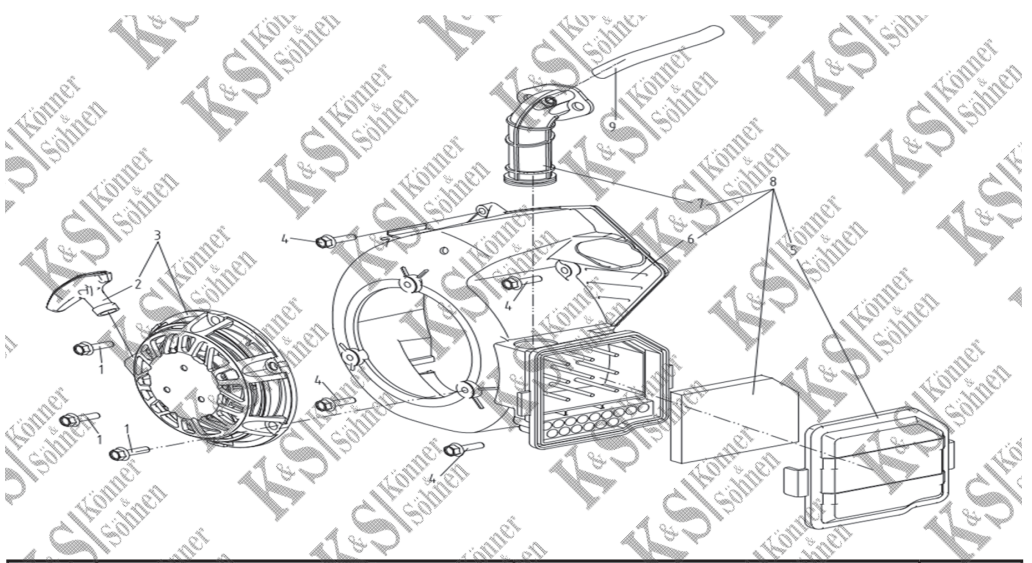
No	REF. No	DESCRIPTION	QTY
6	KS 2000i S-5-06	Crankshaft	1
7	KS 2000i S-5-07	Gear, Timing	1
8	KS 2000i S-5-08	Crankshaft Combination	1
9	KS 2000i S-5-09	Flat Gasket	1
10	KS 2000i S-5-10	Piston	1
11	KS 2000i S-5-11	Clip Piston Pin	2
12	KS 2000i S-5-12	Pin Wrist	1
13	KS 2000i S-5-13	Ring Top	1
14	KS 2000i S-5-14	Ring Compression	1
15	KS 2000i S-5-15	Ring Assy, Oil	1
16	KS 2000i S-5-16	Piston Ring	1

6. GAS DISTRIBUTION ADJUSTMENT



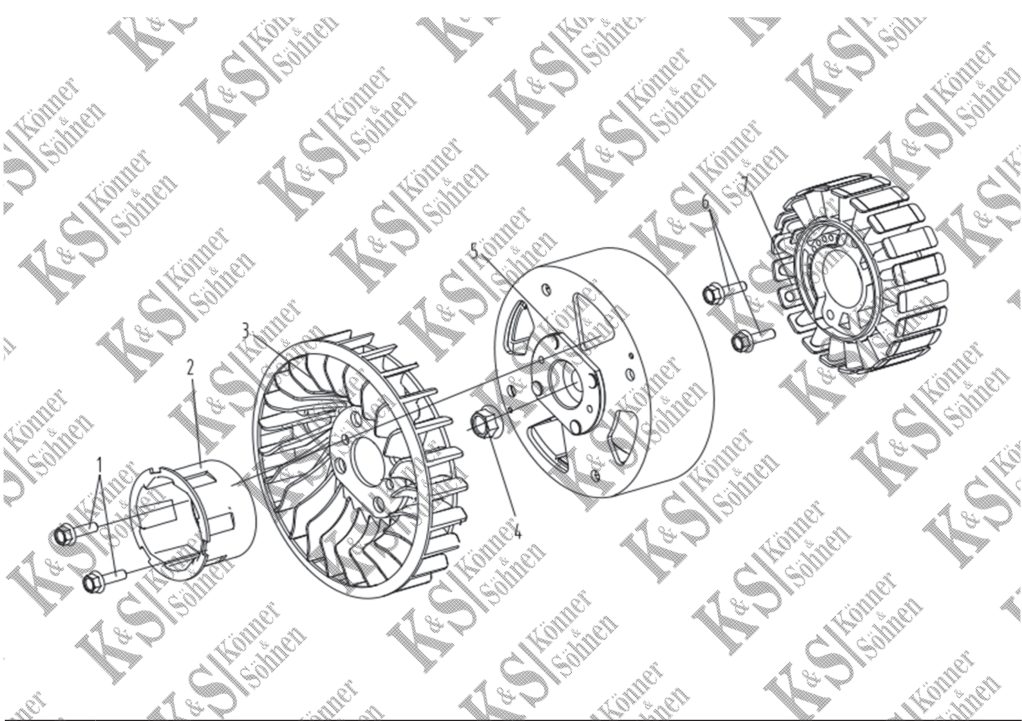
No	REF. No	DESCRIPTION	QTY
1	KS 2000i S-6-01	Valve Intake	1
2	KS 2000i S-6-02	Exhaust Valve	1
3	KS 2000i S-6-03	Tappet, Valve	2
4	KS 2000i S-6-04	Seal, Guide	1
5	KS 2000i S-6-05	Seat Valve	2
6	KS 2000i S-6-06	Push Rod	2
7	KS 2000i S-6-07	Valve Spring	2
8	KS 2000i S-6-08	Camshaft Assy.	1
9	KS 2000i S-6-09	Valve Rocker Shaft	1
10	KS 2000i S-6-10	Rocker Arm	2
11	KS 2000i S-6-11	Stud, Rocker Mounting	2
12	KS 2000i S-6-12	Rocker Arm	2
13	KS 2000i S-6-13	Rocker Arm,Assy	2

7. STARTER SUBASSEMBLY AND AIR CLEANER



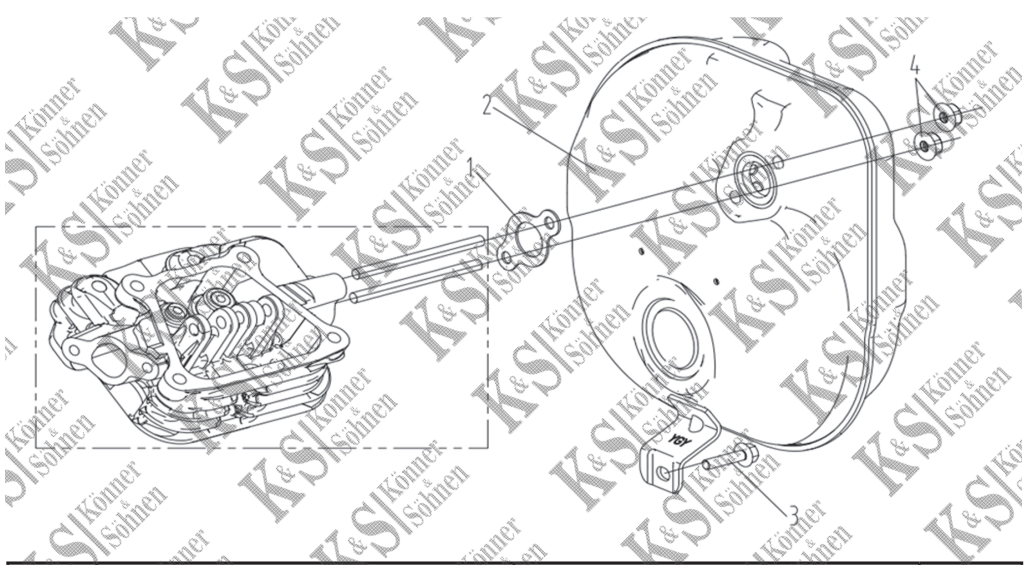
No	REF. No	DESCRIPTION	QTY
1	KS 2000i S-7-01	Bolt , Flange 6×14	3
2	KS 2000i S-7-02	The Rope Handle	1
3	KS 2000i S-7-03	Manual Starting Pull Plate Assembly	1
4	KS 2000i S-7-04	Bolt , Flange 6×20	4
5	KS 2000i S-7-05	Air Filter Cover	1
6	KS 2000i S-7-06	Ventilation Hood	1
7	KS 2000i S-7-07	Tube,Breather	1
8	KS 2000i S-7-08	Ventilation Hood Group	1
9	KS 2000i S-7-09	Waste Trachea	1

8. FLYWHEEL



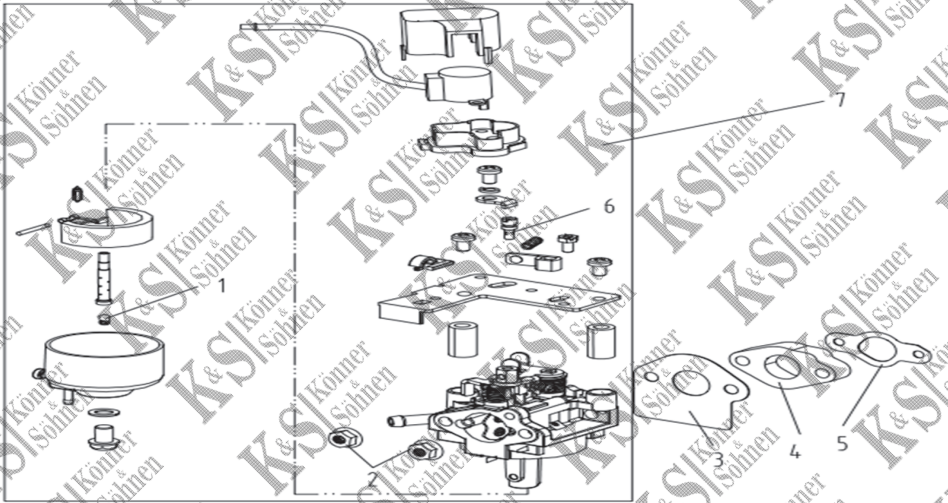
No	REF. No	DESCRIPTION	QTY
1	KS 2000i S-8-01	Bolt , Flange 6x14	2
2	KS 2000i S-8-02	Start Cup	1
3	KS 2000i S-8-03	vane wheel	1
4	KS 2000i S-8-04	Nut, Flywheel	1
5	KS 2000i S-8-05	Motor Rotor	1
6	KS 2000i S-8-06	Bolt , Flange 6x30	2
7	KS 2000i S-8-07	Motor Stator	1

9. MUFFLER



No	REF. No	DESCRIPTION	QTY
1	KS 2000i S-9-01	Exhaust Sealing Pad	1
2	KS 2000i S-9-02	Muffler Assy	1
3	KS 2000i S-9-03	Bolt , Flange , 6×12	1
4	KS 2000i S-9-04	Hex Nut	2

10. CARBURETOR



No	REF. No	DESCRIPTION	QTY
1	KS 2000i S-10-01	Jet , Main	1
2	KS 2000i S-10-02	Hex Nut	2
3	KS 2000i S-10-03	Carburetor Insulator Sealing Pad	1
4	KS 2000i S-10-04	Spacer, Carburetor	1
5	KS 2000i S-10-05	Air Intake Sealing Pad	1
6	KS 2000i S-10-06	Jet Set , Pilot	1
7	KS 2000i S-10-07	Carburetor	1

CONTACTS

Germany

ks-power.de

info@dimaxgroup.de

Poland

ks-power.pl

info.pl@dimaxgroup.de

Ukraine

ks-power.com.ua

sales@ks-power.com.ua

Russia

ks-power.ru

info@ks-power.ru

TRADITIONELLE DEUTSCHE QUALITÄT