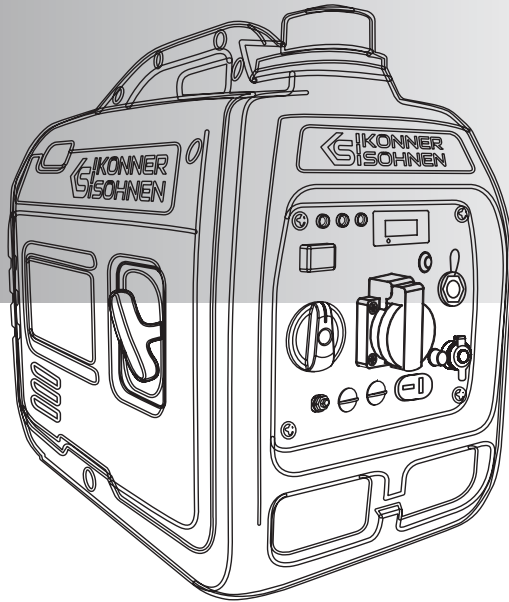


# INVERTER GENERATOR

## EXPLODED VIEW

KS 2100iG S

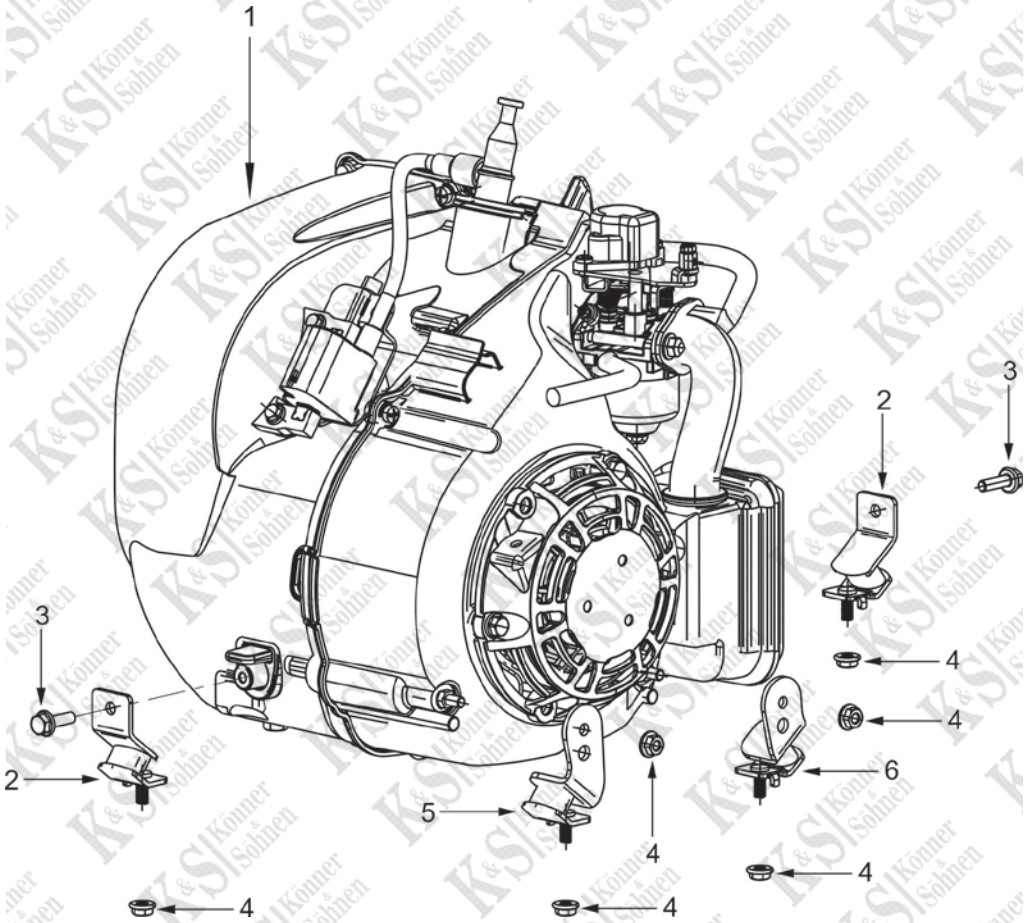


**TRADITIONELLE DEUTSCHE QUALITÄT**

# CONTENTS

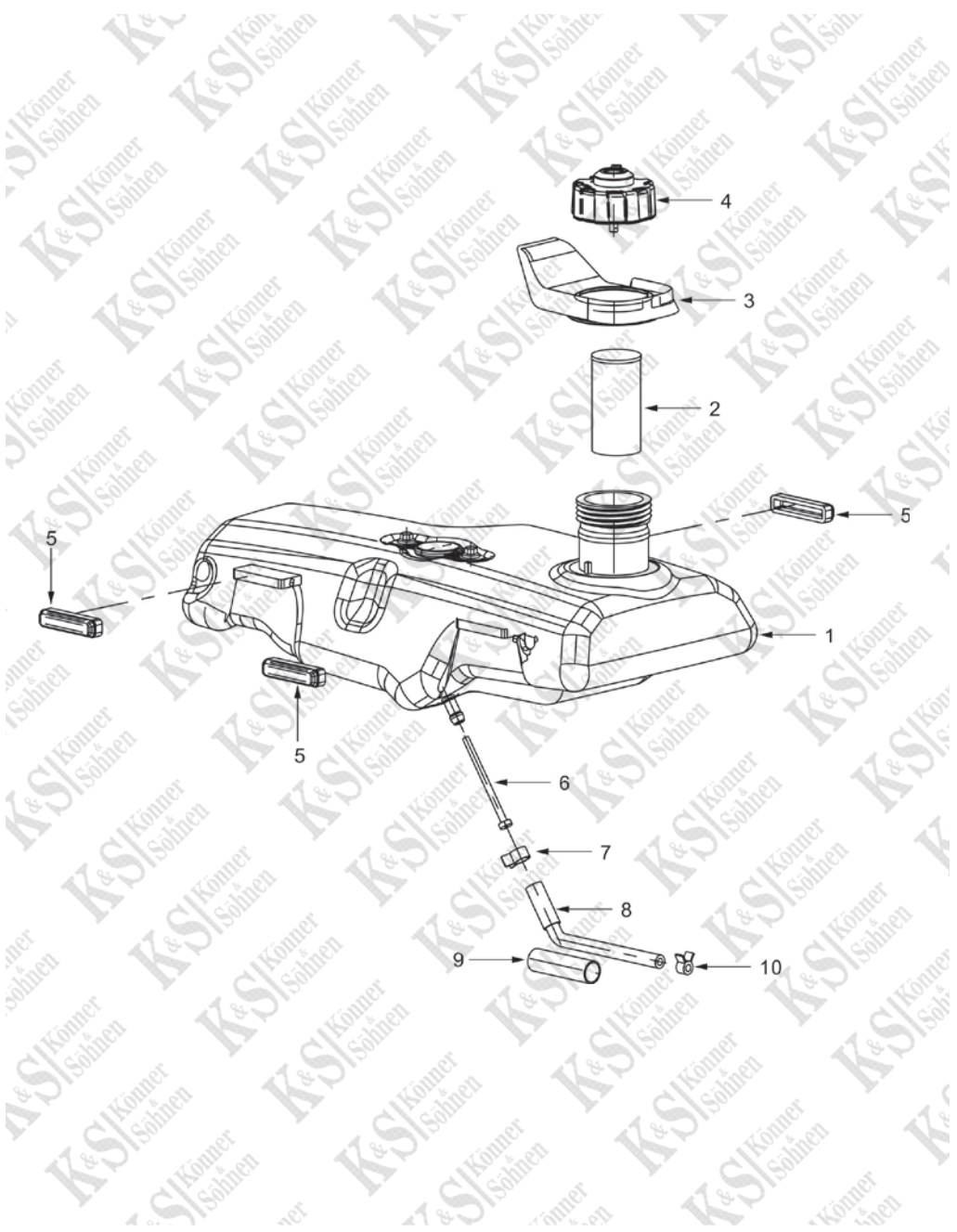
1.Engine.....	2
2.Tank.....	4
3. Muffler shield.....	6
4. Left shell.....	7
5. Right shell.....	8
6. Baseplate components/inverter.....	10
7. Control panel assembly/ panel holder.....	12
8. Head subassembly, cylinder / plug,spark.....	14
9. Crankcase./Cover subassembly, crankcase.....	16
10. Ring set,oil / rod,crankshaft conneting.....	18
11. Train, valve / camshaft subassembly (E05).....	19
12. Wind deflector assembly/shield housing assembly /puller.....	21
13. Ignition coil/warning device/trigger coil/ igniter mounting bracket.....	23
14. Muffler.....	24
15. Carburetor.....	25
16. Motor assembly.....	27

# 1. ENGINE



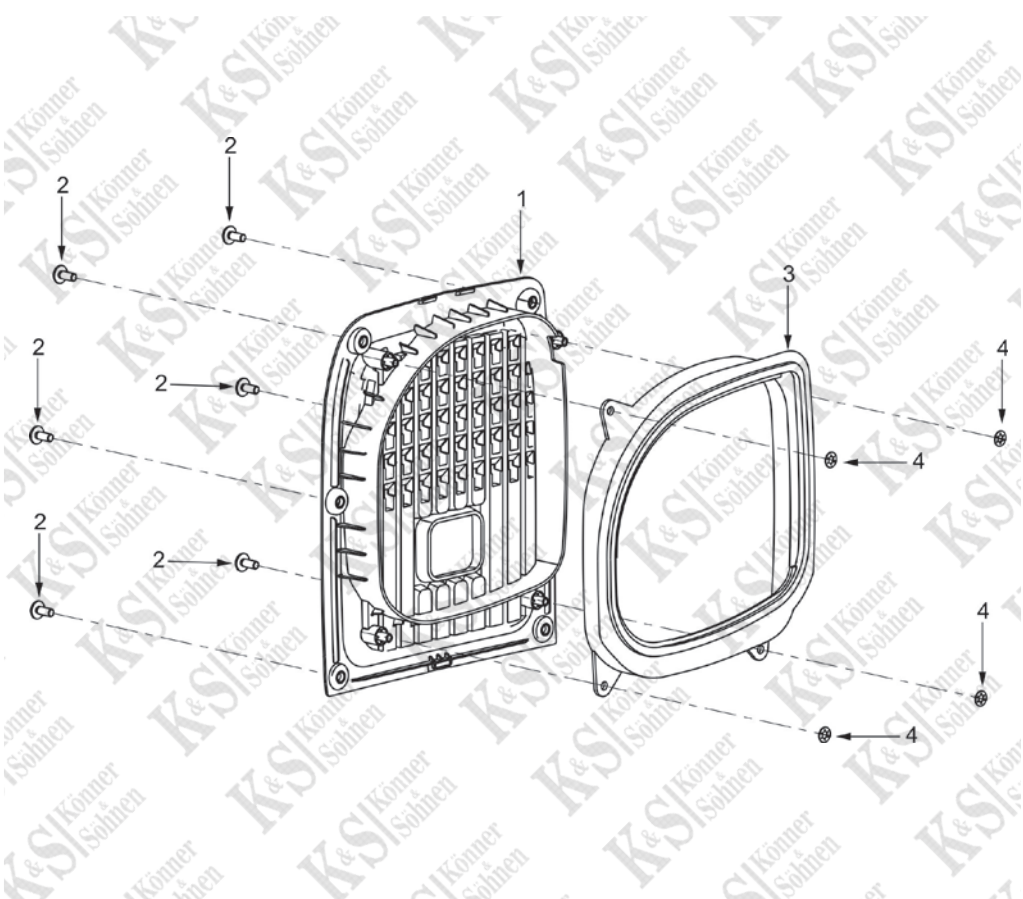
No	REF. No	DESCRIPTION	QTY
1-1	KS 2100iG S -1-1-1	Engine 2100i S	1
1-1	KS 2100iG S-1-1-1	Engine 2100iG S	1
1-2	KS 2100iG S-1-1-2	Shock pad	2
1-3	KS 2100iG S-1-1-3	Bolt M6*12	2
1-4	KS 2100iG S-1-1-4	Nut M6	6
1-5	KS 2100iG S-1-1-5	Shock mount	1
1-6	KS 2100iG S-1-1-6	Shock mount	1

## 2. TANK



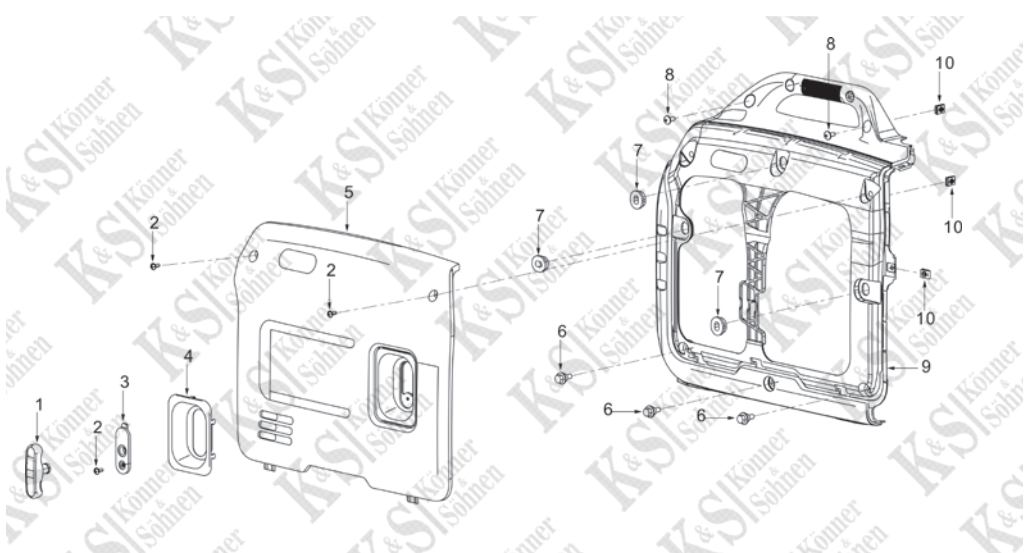
No	REF. No	DESCRIPTION	QTY
2-1	KS 2100iG S-2-2-1	Tank,Fuel	1
2-2	KS 2100iG S-2-2-2	Fuel filter	1
2-3	KS 2100iG S-2-2-3	Sheath	1
2-4	KS 2100iG S-2-2-4	Tank cap	1
2-5	KS 2100iG S-2-2-5	Sheath	3
2-6	KS 2100iG S-2-2-6	Filt tip	1
2-7	KS 2100iG S-2-2-7	Ferrule	1
2-8	KS 2100iG S-2-2-8	Oil tube	1
2-9	KS 2100iG S-2-2-9	Sheath	1
2-10	KS 2100iG S-2-2-10	Ferrule	1

### 3. MUFFLER SHIELD



No	REF. No	DESCRIPTION	QTY
3-1	KS 2100iG S-3-3-1	Muffler shield	1
3-2	KS 2100iG S-3-3-2	Screw	6
3-3	KS 2100iG S-3-3-3	Muffler sealant sleeve	1
3-4	KS 2100iG S-3-3-4	Plum ring	4

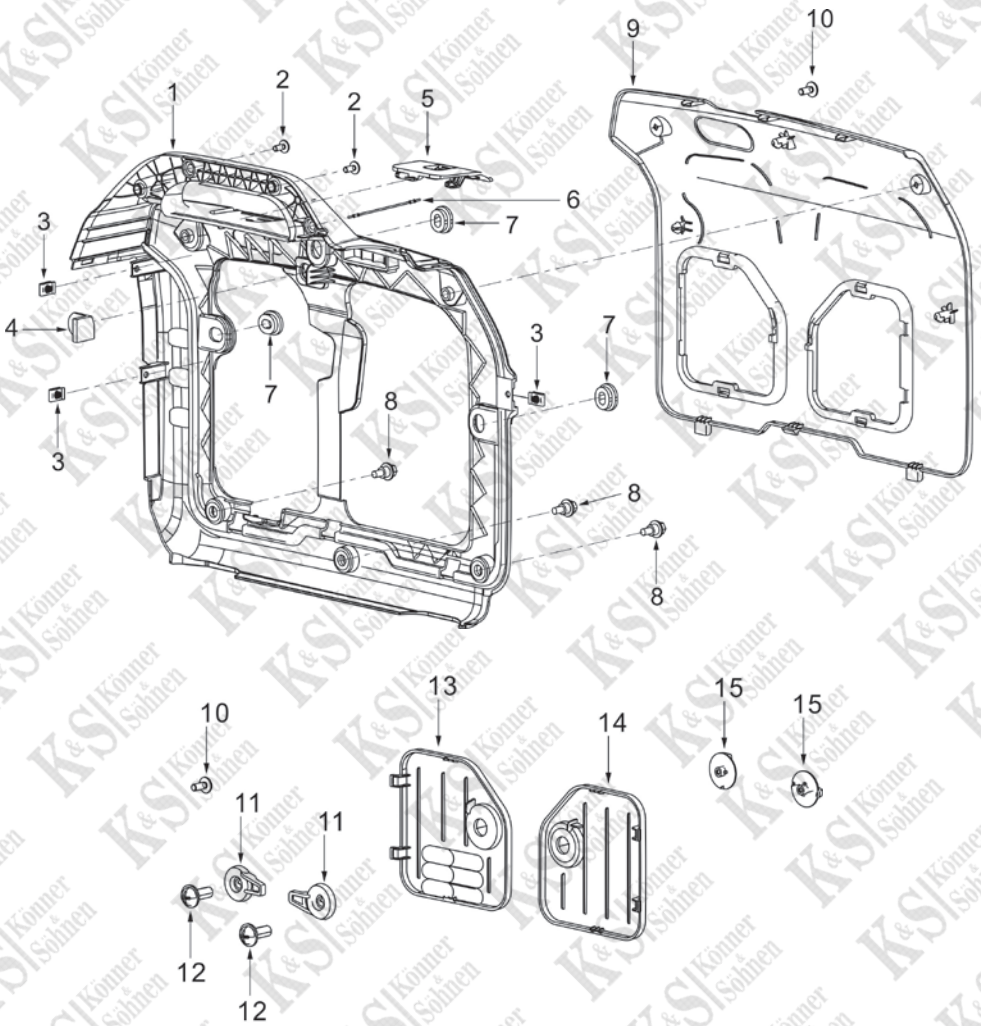
## 4. LEFT SHELL



No	REF. No	DESCRIPTION	QTY
4-1	KS 2100iG S-4-4-1	Starting handle	1
4-2	KS 2100iG S-4-4-2	Screw	3
4-3	KS 2100iG S-4-4-3	Cover plate	1
4-4	KS 2100iG S-4-4-4	Handle trim panel	1
4-5	KS 2100iG S-4-4-5	ornament shell	1
4-6	KS 2100iG S-4-4-6	step bolts	3
4-7	KS 2100iG S-4-4-7	sheath	3
4-8	KS 2100iG S-4-4-8	Screw	2
4-9	KS 2100iG S-4-4-9	Left shell	1
4-10	KS 2100iG S-4-4-10	Nut	3

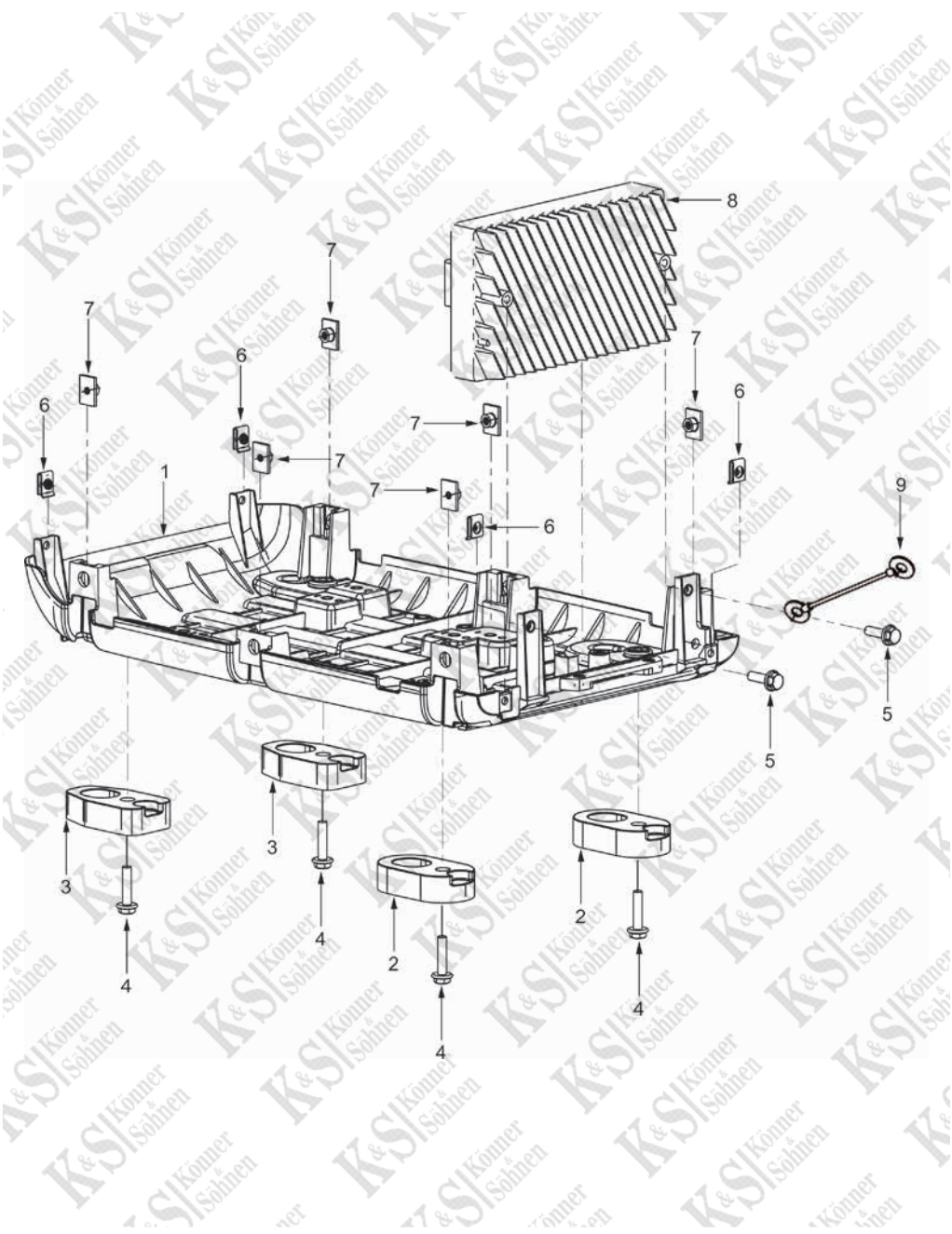


# 5. RIGHT SHELL



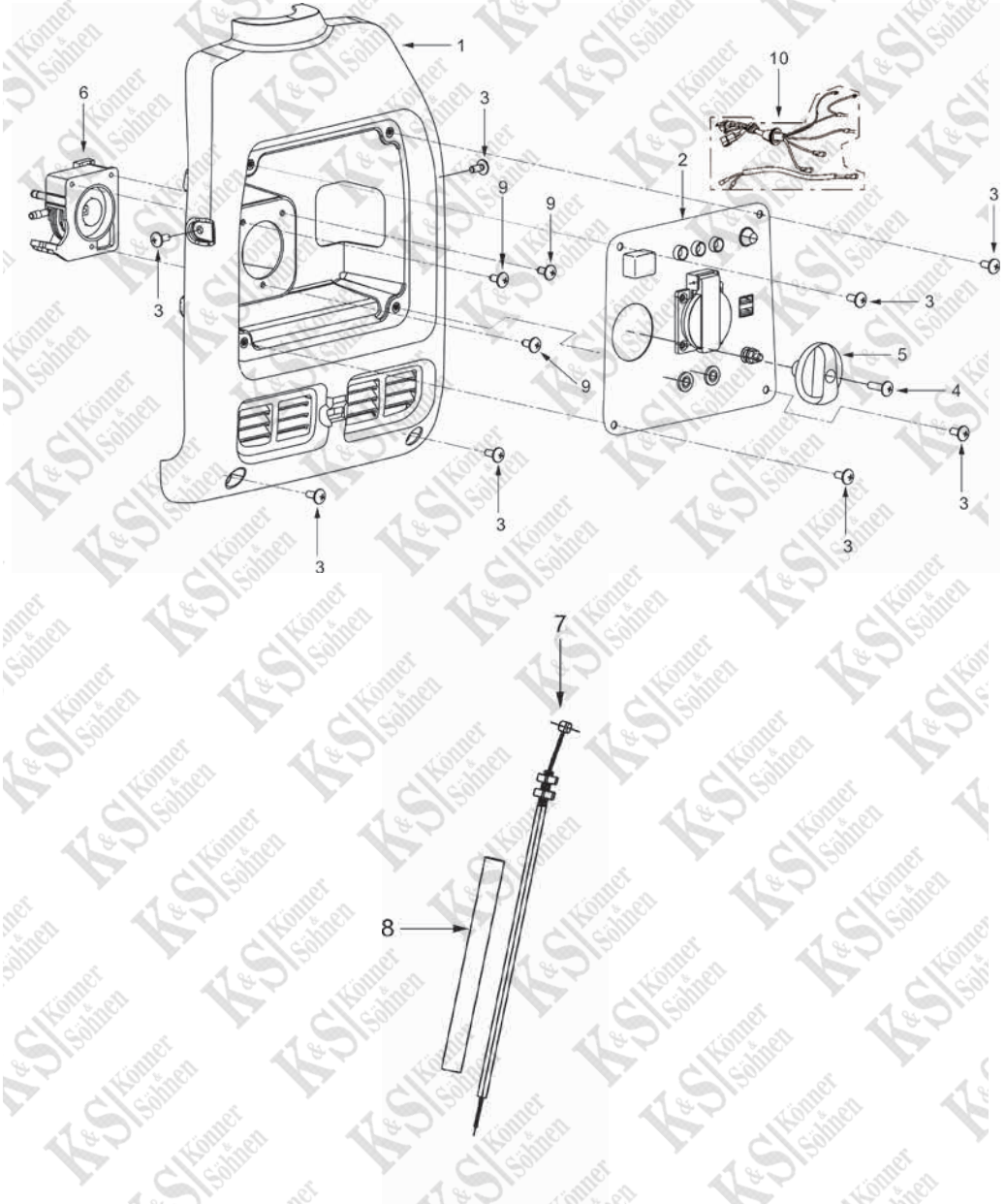
No	REF. No	DESCRIPTION	QTY
5-1	KS 2100iG S-5-5-1	Right shell	1
5-2	KS 2100iG S-5-5-2	Cross recessed pan head screw	2
5-3	KS 2100iG S-5-5-3	Nut	3
5-4	KS 2100iG S-5-5-4	sheath	1
5-5	KS 2100iG S-5-5-5	Spark-plug outer cover	1
5-6	KS 2100iG S-5-5-6	Anti loss rubber strip	1
5-7	KS 2100iG S-5-5-7	sheath	3
5-8	KS 2100iG S-5-5-8	step bolts	3
5-9	KS 2100iG S-5-5-9	Right exterior cover	1
5-10	KS 2100iG S-5-5-10	Screw	2
5-11	KS 2100iG S-5-5-11	Knob limit card	2
5-12	KS 2100iG S-5-5-12	Screw	2
5-13	KS 2100iG S-5-5-13	Oil maintenance cover	1
5-14	KS 2100iG S-5-5-14	Air filter maintenance cover	1
5-15	KS 2100iG S-5-5-15	Knob	2

# 6. BASE PLATE COMPONENTS/INVERTER



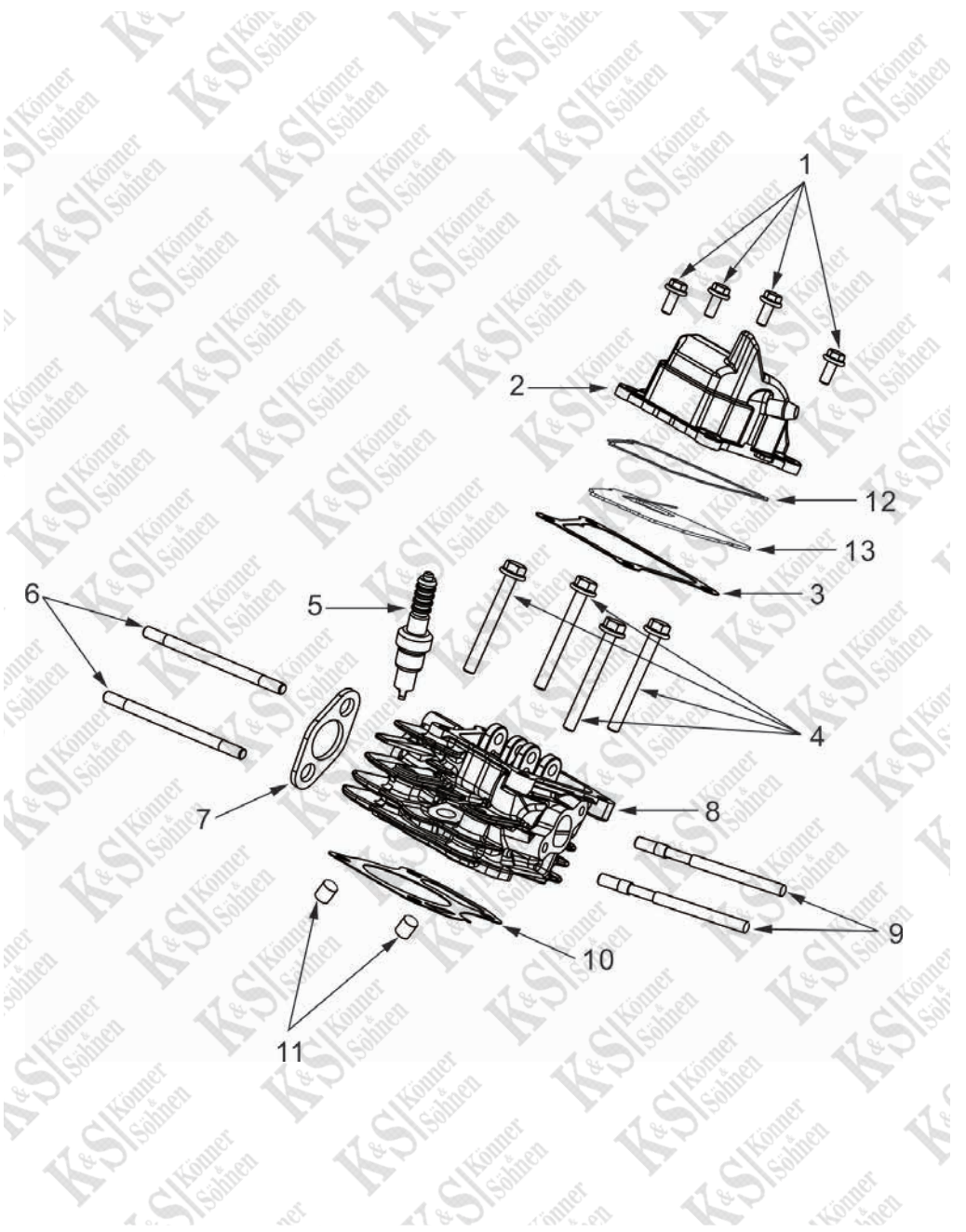
No	REF. No	DESCRIPTION	QTY
6-1	KS 2100iG S -6-6-1	Base plate	1
6-2	KS 2100iG S-6-6-2	Shock absorber of unit	2
6-3	KS 2100iG S-6-6-3	Shock absorber of unit	2
6-4	KS 2100iG S-6-6-4	Bolt	4
6-5	KS 2100iG S-6-6-5	Bolt	2
6-6	KS 2100iG S-6-6-6	Nut	4
6-7	KS 2100iG S-6-6-7	Nut	6
6-8	KS 2100iG S-6-6-8	Inverter	1
6-9	KS 2100iG S-6-6-9	Ground wire	1

# 7. CONTROL PANEL ASSEMBLY/PANEL HOLDER



No	REF. No	DESCRIPTION	QTY
7-1	KS 2100iG S -7-7-1	panel bed	1
7-2	KS 2100iG S-7-7-2	panel 2100i S	1
7-2	KS 2100iG S-7-7-2	panel 2100iG S	1
7-3	KS 2100iG S-7-7-3	Cross recessed pan head screw	8
7-4	KS 2100iG S-7-7-4	Screw	1
7-5	KS 2100iG S-7-7-5	Three in one switch handle	1
7-6	KS 2100iG S-7-7-6	Three in one switch	1
7-7	KS 2100iG S-7-7-7	Cable assembly	1
7-8	KS 2100iG S-7-7-8	Sheath	1
7-9	KS 2100iG S-7-7-9	Cross countersunk head tapping screw	3
7-10	KS 2100iG S-7-7-10	Control harness	1

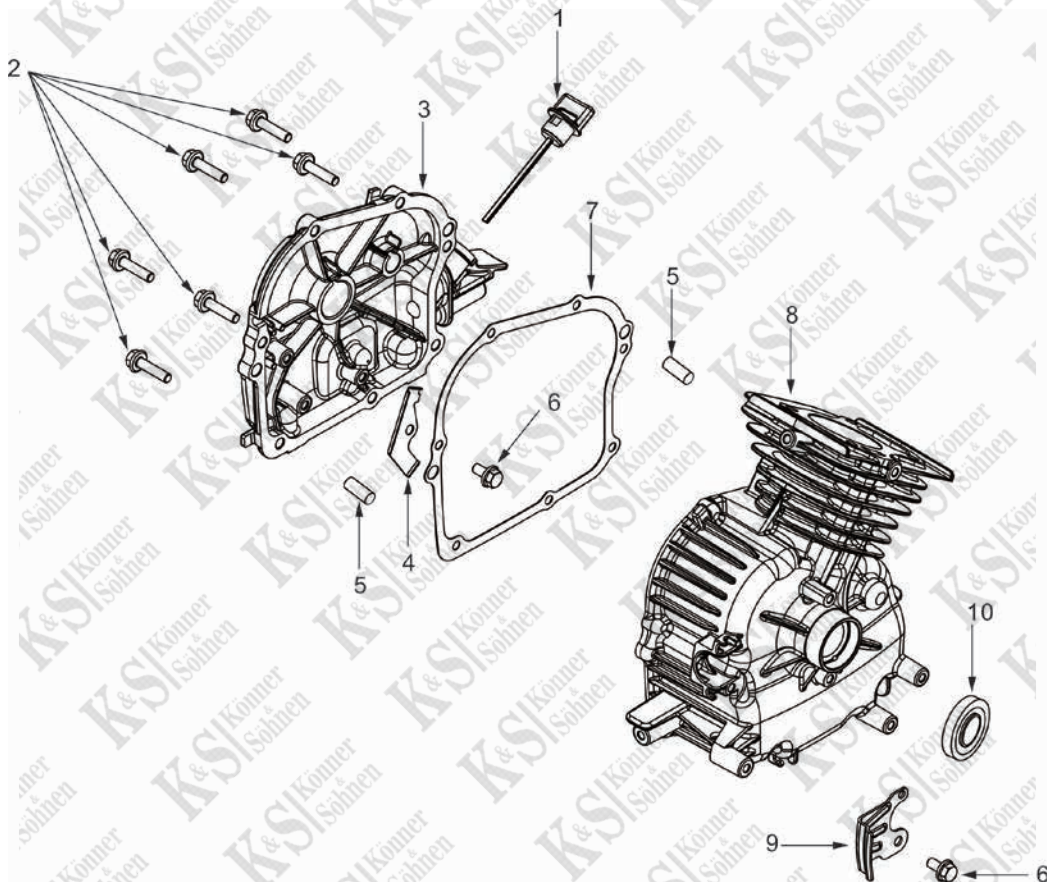
# 8. HEAD SUBASSEMBLY, CYLINDER/PLUG, SPARK



No	REF. No	DESCRIPTION	QTY
E08-1	KS 2100iG S-8-8-1	Bolt	4
E08-2	KS 2100iG S-8-8-2	Cover subassembly,Cylinder head	1
E08-3	KS 2100iG S-8-8-3	Gasket,Cover subassembly	1
E08-4	KS 2100iG S-8-8-4	Bolt	4
E08-5	KS 2100iG S-8-8-5	Plug,Spark	1
E08-6	KS 2100iG S-8-8-6	Bolt	2
E08-7	KS 2100iG S-8-8-7	Gasket,Exhaust outlet	1
E08-8	KS 2100iG S-8-8-8	Cylinder head	1
E08-9	KS 2100iG S-8-8-9	Bolt	2
E08-10	KS 2100iG S-8-8-10	Gasket,Cylinder head	1
E08-11	KS 2100iG S-8-8-11	Pin	2
E08-12	KS 2100iG S-8-8-12	Limit plate gasket	1
E08-13	KS 2100iG S-8-8-13	Breathing valve limit plate	1

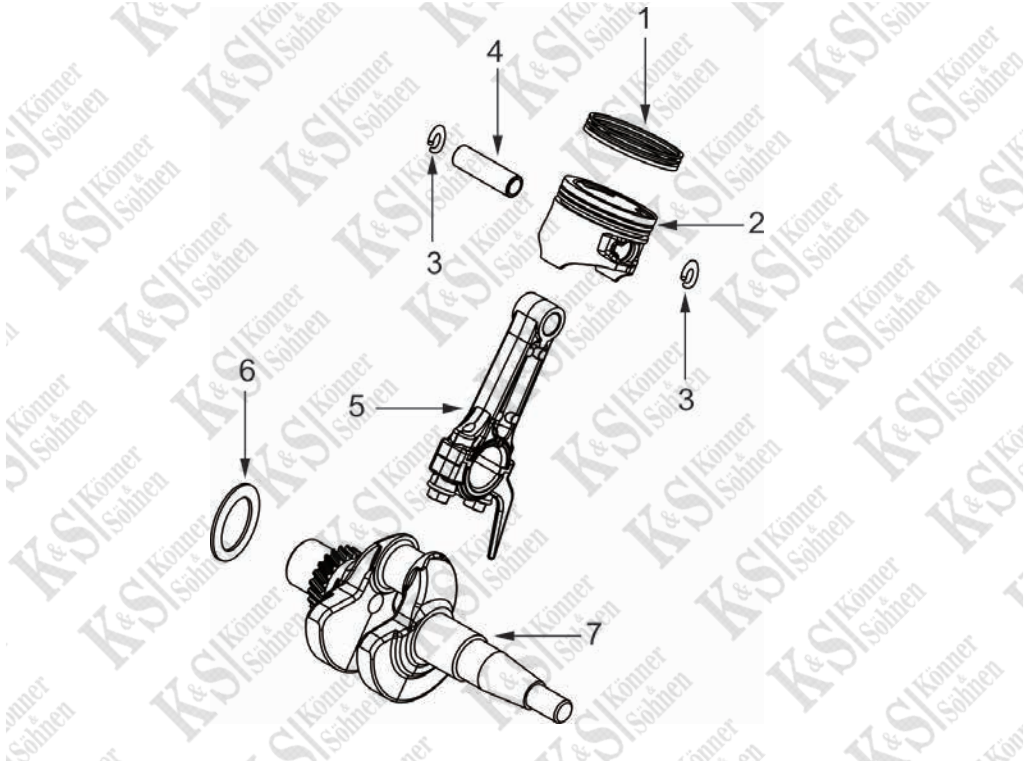


## 9. CRANKCASE./COVER SUBASSEMBLY, CRANKCASE



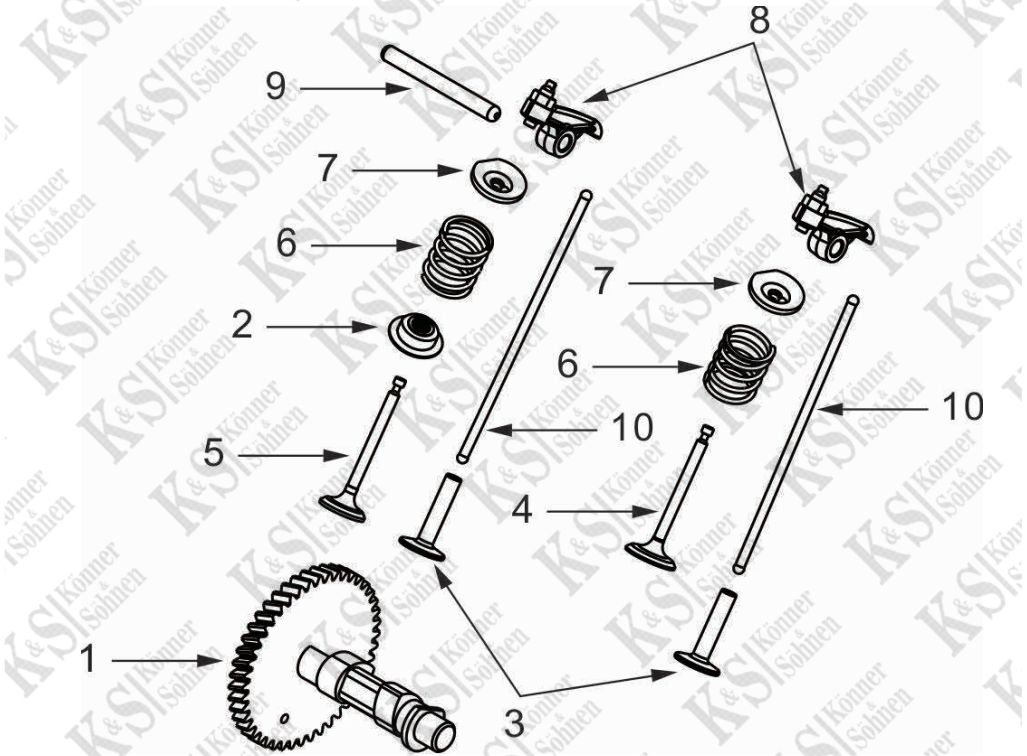
No	REF. No	DESCRIPTION	QTY
E09-1	KS 2100iG S-9-9-1	Dipstick subassembly, Oil	1
E09-2	KS 2100iG S-9-9-2	Bolt	6
E09-3	KS 2100iG S-9-9-3	Over subassembly, Crank- case	1
E09-4	KS 2100iG S-9-9-4	Oil alarm block	1
E09-5	KS 2100iG S-9-9-5	Pin	2
E09-6	KS 2100iG S-9-9-6	Bolt	2
E09-7	KS 2100iG S-9-9-7	Over subassembly, Crank- case	1
E09-8	KS 2100iG S-9-9-8	Crankcase subassembly	1
E09-9	KS 2100iG S-9-9-9	Crimping board	1
E09-10	KS 2100iG S-9-9-10	Oil seal	1

# 10. RING SET,OIL/ROD, CRANKSHAFT CONNETING



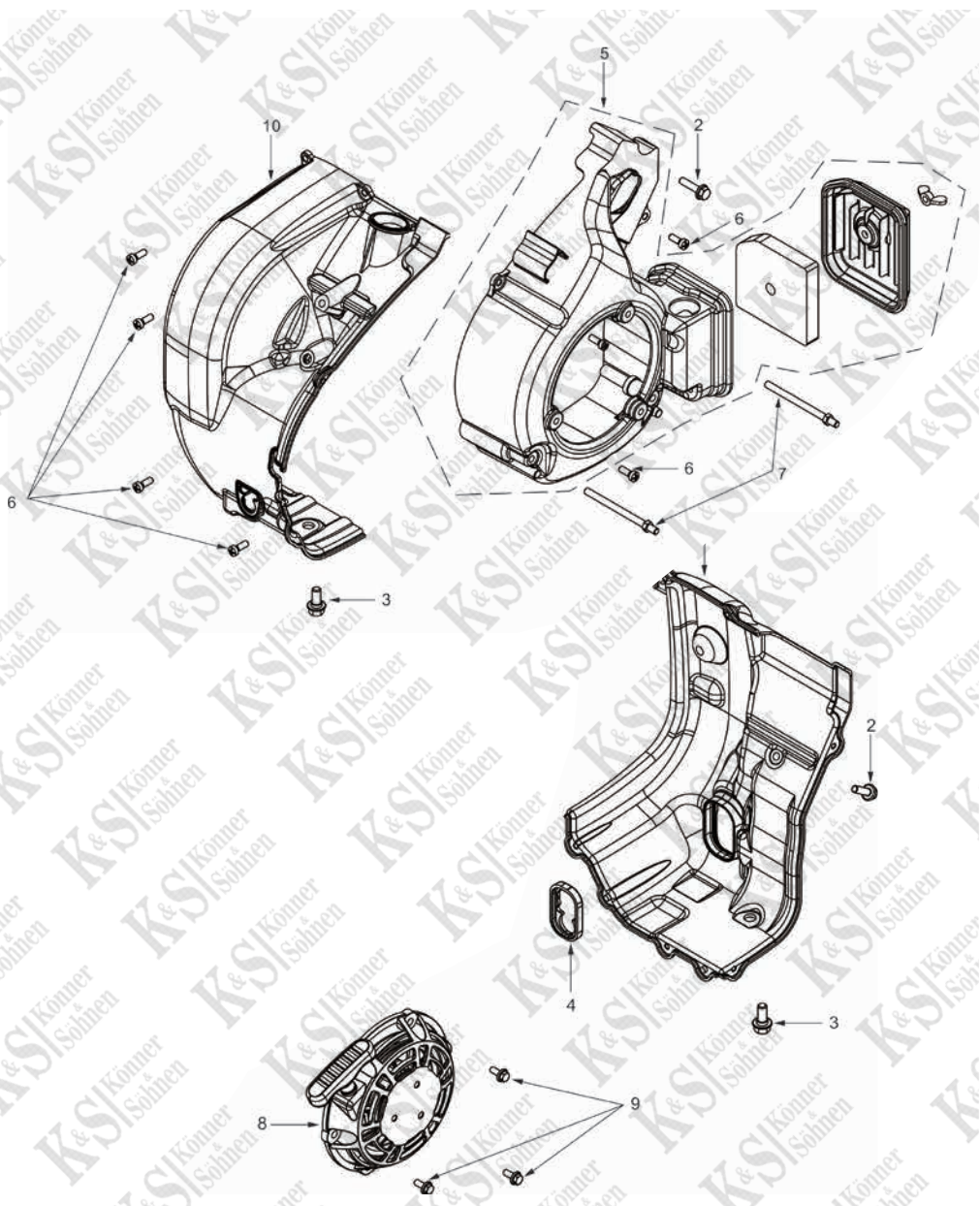
No	REF. No	DESCRIPTION	QTY
E010-1	KS 2100iG S-10-10-1	Ring set, Piston	1
E010-2	KS 2100iG S-10-10-2	Piston	1
E010-3	KS 2100iG S-10-10-3	Clip,Piston pin	2
E010-4	KS 2100iG S-10-10-4	Pin,Piston	1
E010-5	KS 2100iG S-10-10-5	Rod,Connecting	1
E010-6	KS 2100iG S-10-10-6	Crankshaft gasket	1
E010-7	KS 2100iG S-10-10-7	Crankshaft assy	1

# 11. TRAIN, VALVE/CAMSHAFT SUBASSEMBLY (E05)



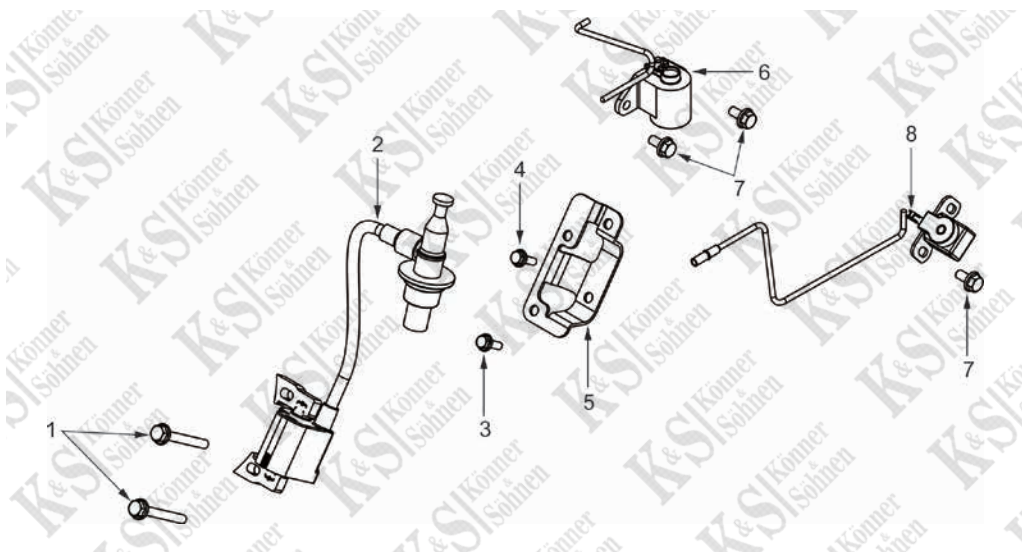
No	REF. No	DESCRIPTION	QTY
E011-1	KS 2100iG S -11-11-1	Camshaft assy	1
E011-2	KS 2100iG S-11-11-2	Oil baffle	1
E011-3	KS 2100iG S-11-11-3	Rods	2
E011-4	KS 2100iG S-11-11-4	Intake valve	1
E011-5	KS 2100iG S-11-11-5	Exhaust valve	1
E011-6	KS 2100iG S-11-11-6	Valve spring	2
E011-7	KS 2100iG S-11-11-7	Valve-spring seat	2
E011-8	KS 2100iG S-11-11-8	Valve rocker	2
E011-9	KS 2100iG S-11-11-9	Valve rocker shaft	1
E011-10	KS 2100iG S-11-11-10	Tappet	2

# 12. WIND DEFLECTOR ASSEMBLY/SHIELD HOUSING ASSEMBLY /PULLER



No	REF. No	DESCRIPTION	QTY
E012-1	KS 2100iG S -12-12-1	Rear shield housing	1
E012-2	KS 2100iG S-12-12-2	Bolt	2
E012-3	KS 2100iG S-12-12-3	Bolt	2
E012-4	KS 2100iG S-12-12-4	Rubber sleeve of rear shield	1
E012-5	KS 2100iG S-12-12-5	Wind deflector	1
E012-6	KS 2100iG S-12-12-6	Self tapping screw	6
E012-7	KS 2100iG S-12-12-7	Stud support bolt	2
E012-8	KS 2100iG S-12-12-8	Pulling plate	1
E012-9	KS 2100iG S-12-12-9	Bolt	3
E012-10	KS 2100iG S-12-12-10	Front shield housing	1

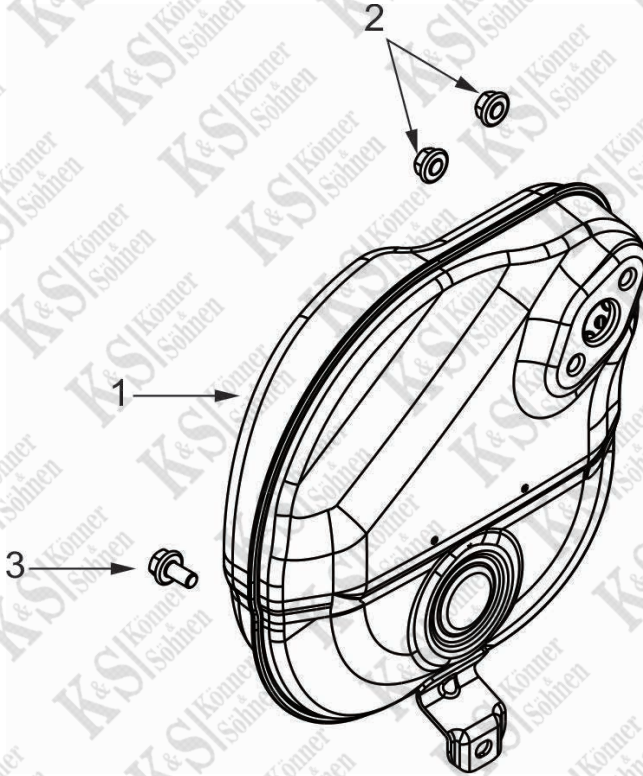
# 13. IGNITION COIL/WARNING DEVICE/ TRIGGER COIL/ IGNITER MOUNTING BRACKET



No	REF. No	DESCRIPTION	QTY
E013-1	KS 2100iG S-13-13-1	Bolt	2
E013-2	KS 2100iG S-13-13-2	Ignition coil	1
E013-3	KS 2100iG S-13-13-3	Bolt	1
E013-4	KS 2100iG S-13-13-4	Bolt	1
E013-5	KS 2100iG S-13-13-5	Igniter mounting bracket	1
E013-6	KS 2100iG S-13-13-6	Oil alarm	1
E013-6	KS 2100iG S-13-13-6	Oil alarm	1
E013-7	KS 2100iG S-13-13-7	Bolt	3
E013-8	KS 2100iG S-13-13-8	Trigger coil assembly	1

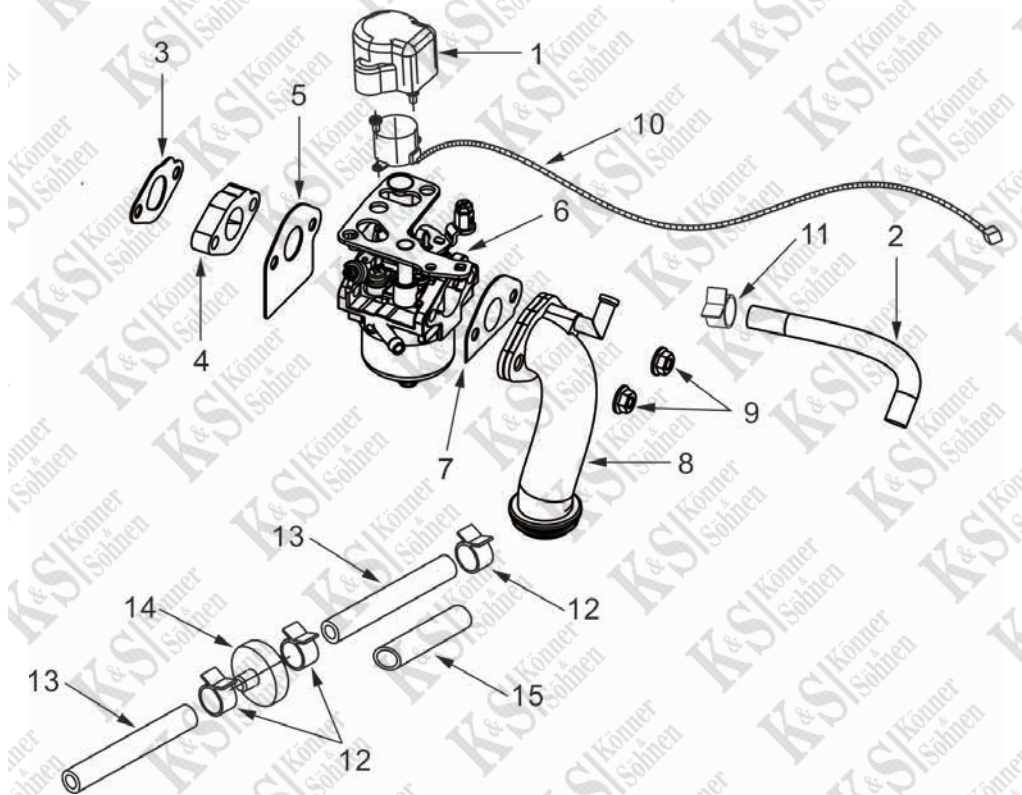


# 14. MUFFLER



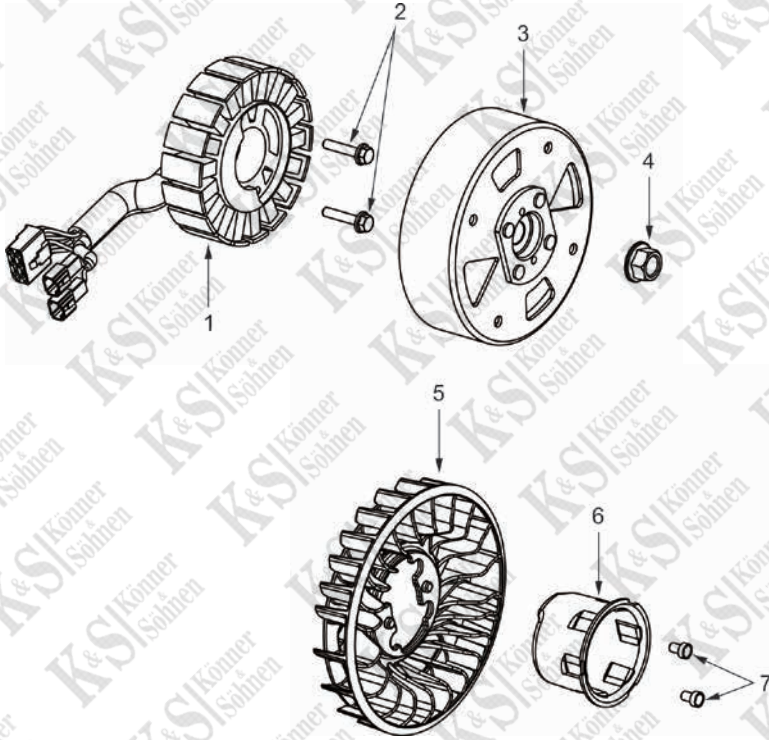
No	REF. No	DESCRIPTION	QTY
E014-1	KS 2100iG S-14-14-1	Muffer	1
E014-2	KS 2100iG S-14-14-2	Locking nut with disc	2
E014-3	KS 2100iG S-14-14-3	Bolt	1

# 15. CARBURETOR



No	REF. No	DESCRIPTION	QTY
E015-1	KS 2100iG S -15-15-1		
E015-2	KS 2100iG S-15-15-2	Exhaust pipe	1
E015-3	KS 2100iG S-15-15-3	Air inlet gasket	1
E015-4	KS 2100iG S-15-15-4	Carburetor heat shield	1
E015-5	KS 2100iG S-15-15-5	Carburetor insulation pad ,gasket	1
E015-6	KS 2100iG S-15-15-6	Carburetor 2100iG S	1
E015-6	KS 2100iG S-15-15-6	Carburetor 2100i S	1
E015-7	KS 2100iG S-15-15-7	Carburetor gasket	1
E015-8	KS 2100iG S-15-15-8	Intake hose	1
E015-9	KS 2100iG S-15-15-9	Locking nut with disc	2
E015-10	KS 2100iG S-15-15-10	Stepper motor	1
E015-11	KS 2100iG S-15-15-11	Ribbon tubing clamp	1
E015-12	KS 2100iG S-15-15-12	Ribbon tubing clamp	3
E015-13	KS 2100iG S-15-15-13	Tubing	1
E015-14	KS 2100iG S-15-15-14	Fuel filter	1
E015-15	KS 2100iG S-15-15-15	Silicone protective sleeve	1

# 16. MOTOR ASSEMBLY



No	REF. No	DESCRIPTION	QTY
E016-1	KS 2100iG S-16-16-1	Motor stator	1
E016-2	KS 2100iG S-16-16-2	Bolt	2
E016-3	KS 2100iG S-16-16-3	Motor rotor	1
E016-4	KS 2100iG S-16-16-4	Rotor comp	1
E016-5	KS 2100iG S-16-16-5	Fan blade	1
E016-6	KS 2100iG S-16-16-6	Starting sleeve	1
E016-7	KS 2100iG S-16-16-7	Hexagon socket bolt	2

## **CONTACTS**

**Germany**

**ks-power.de**

**info@**

**dimaxgroup.de**

**Ukraine**

**ks-power.com.ua**

**sales@ks-power.**

**com.ua**

**Poland**

**ks-power.pl**

**info.pl@**

**dimaxgroup.de**

**Russia**

**ks-power.ru**

**info@ks-power.ru**

**TRADITIONELLE DEUTSCHE QUALITÄT**