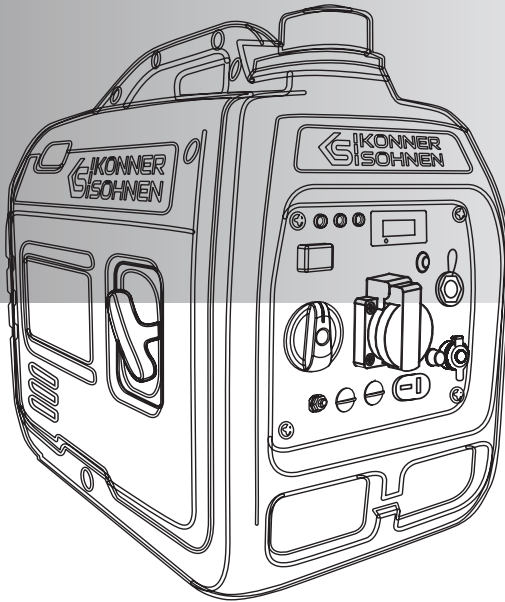


# INVERTER GENERATOR

## EXPLODED VIEW

KS 3100iG S

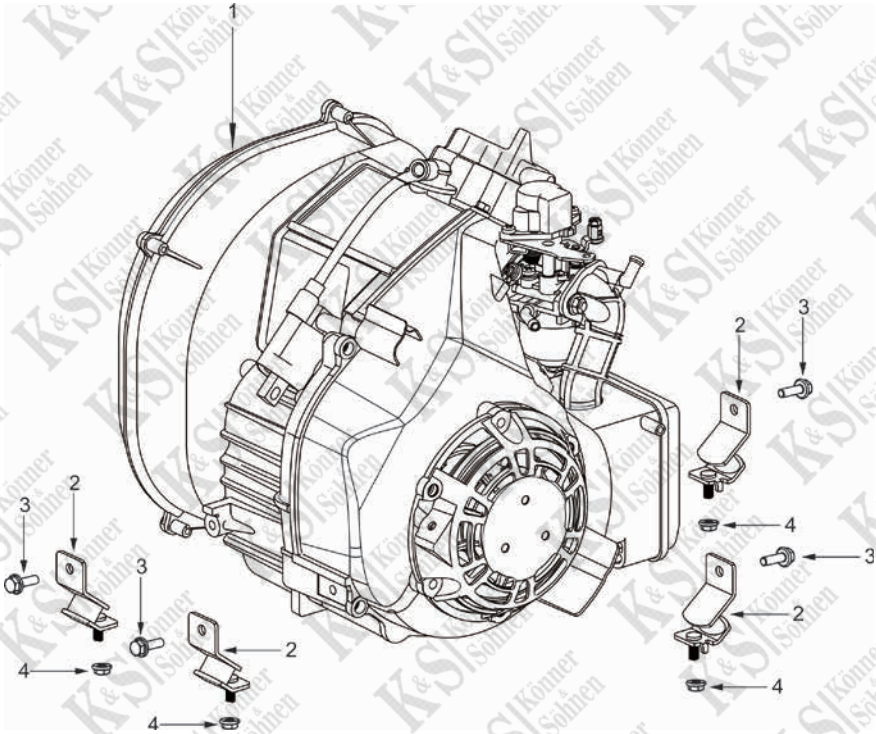


**TRADITIONELLE DEUTSCHE QUALITÄT**

# CONTENTS

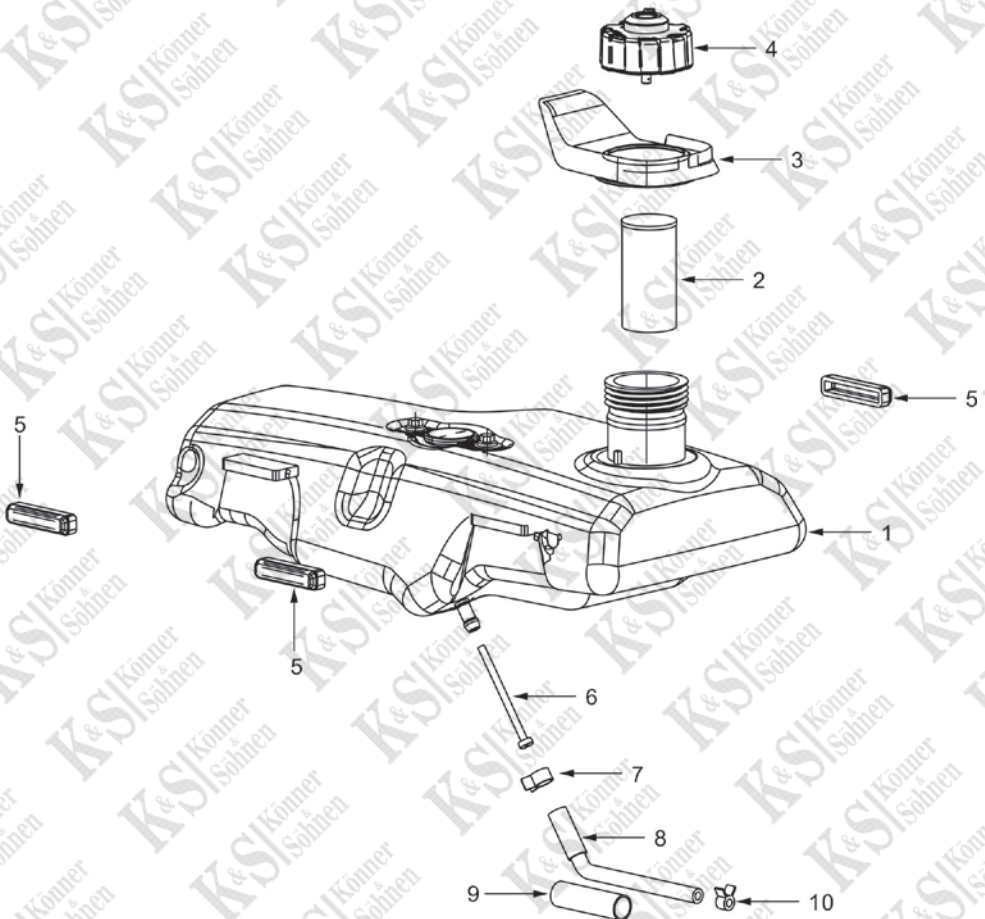
1. Engine.....	2
2. Tank.....	3
3. Muffler shield.....	5
4. Left shell.....	6
5. Right shell.....	7
6. Base plate components/inverter.....	9
7. Control panel assembly/panel holder.....	11
8. Head subassembly, cylinder/plug, spark.....	13
9. Motor assembly.....	15
10. Wind deflector assembly/puller.....	16
11. Train, valve/camshaft subassembly (e05).....	17
12. Ring set, oil/rod,crankshaft conneting.....	19
13. Ignition coil/warning device/trigger coil.....	20
14. Muffler.....	21
15.....	22
16. Carburetor.....	24

# 1. ENGINE



No	REF. No	DESCRIPTION	QTY
1-1	KS 3100iG S -1-1-1	Engine 3100iG S	1
1-1	KS 3100iG S-1-1-1	Engine 3100iG S	1
1-2	KS 3100iG S-1-1-2	Shock pad	4
1-3	KS 3100iG S-1-1-3	Bolt	4
1-4	KS 3100iG S-1-1-4	Nut	4

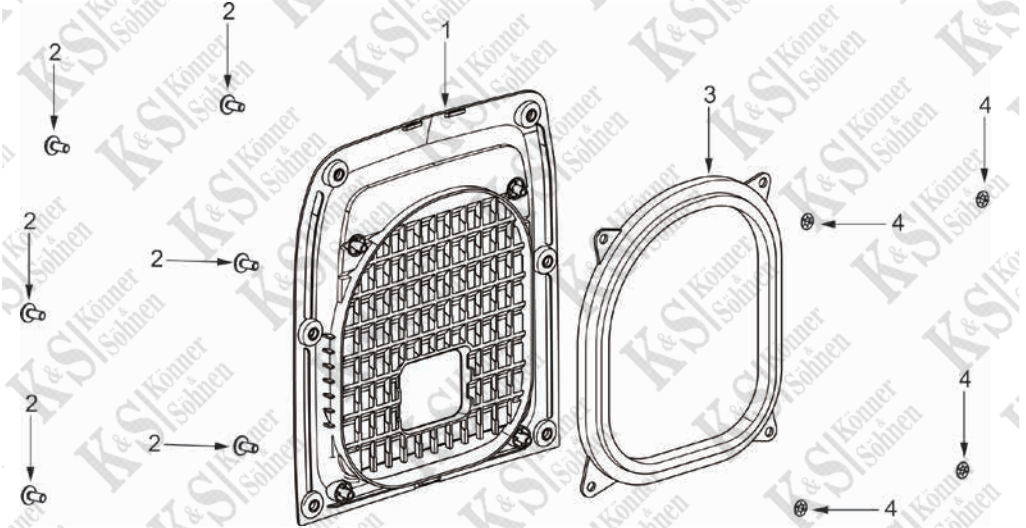
## 2. TANK





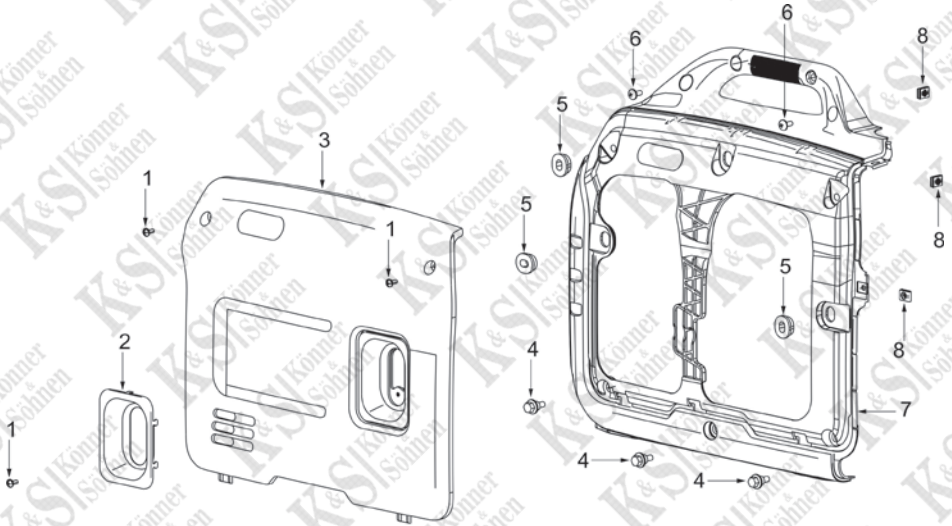
No	REF. No	DESCRIPTION	QTY
2-1	KS 3100iG S-2-2-1	Tank,Fuel	1
2-2	KS 3100iG S-2-2-2	Fuel filter	1
2-3	KS 3100iG S-2-2-3	Sheath	1
2-4	KS 3100iG S-2-2-4	Tank cap	1
2-5	KS 3100iG S-2-2-5	Sheath	3
2-6	KS 3100iG S -2-2-6	Filter tip	1
2-7	KS 3100iG S-2-2-7	Ferrule	1
2-8	KS 3100iG S-2-2-8	Fuel tube	1
2-9	KS 3100iG S-2-2-9	Sheath	1
2-10	KS 3100iG S-2-2-10	Ferrule	1

### 3. MUFFLER SHIELD



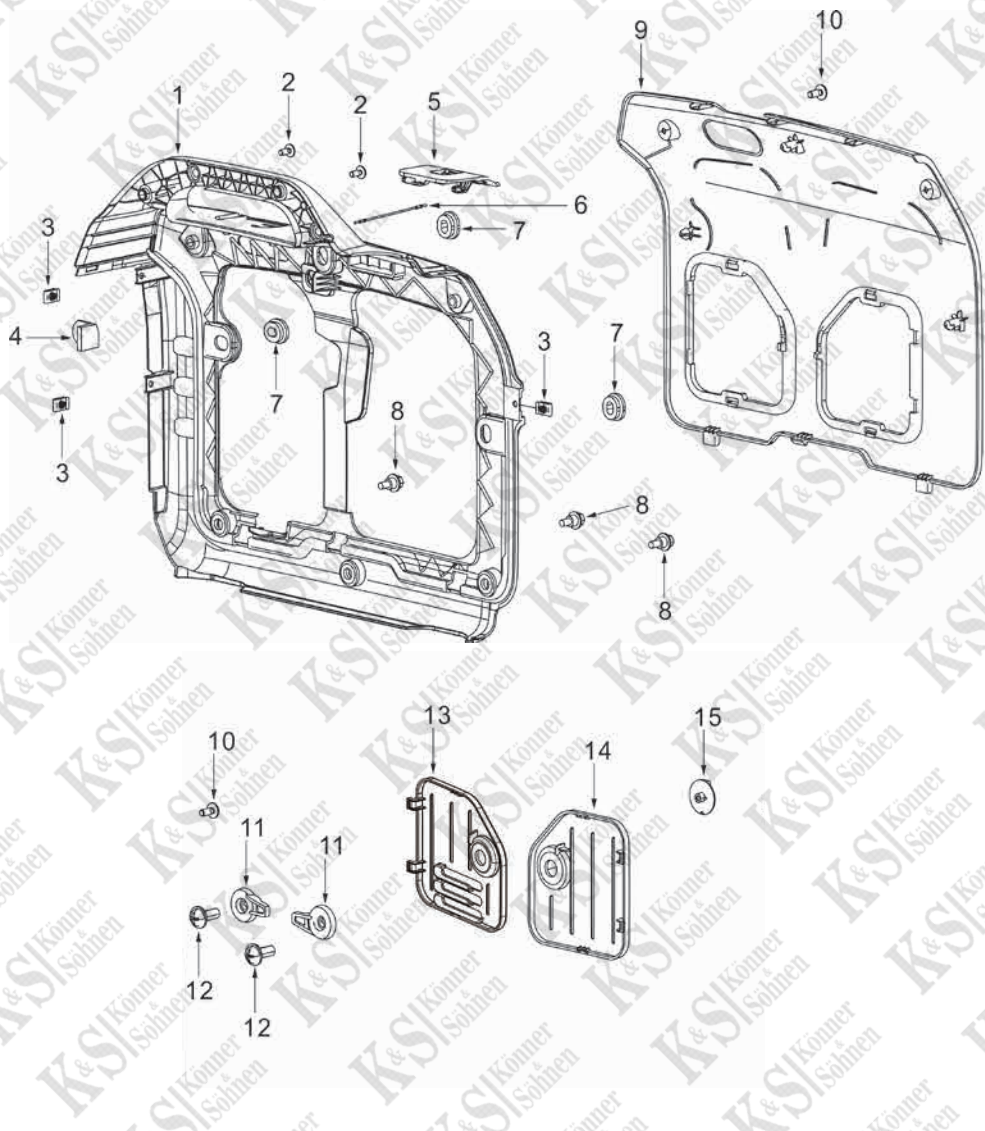
No	REF. No	DESCRIPTION	QTY
3-1	KS 3100iG S -3-3-1	Muffler shield	1
3-2	KS 3100iG S-3-3-2	Screw	6
3-3	KS 3100iG S-3-3-3	Muffler sealant sleeve	1
3-4	KS 3100iG S-3-3-4	Plum ring	4

## 4. LEFT SHELL



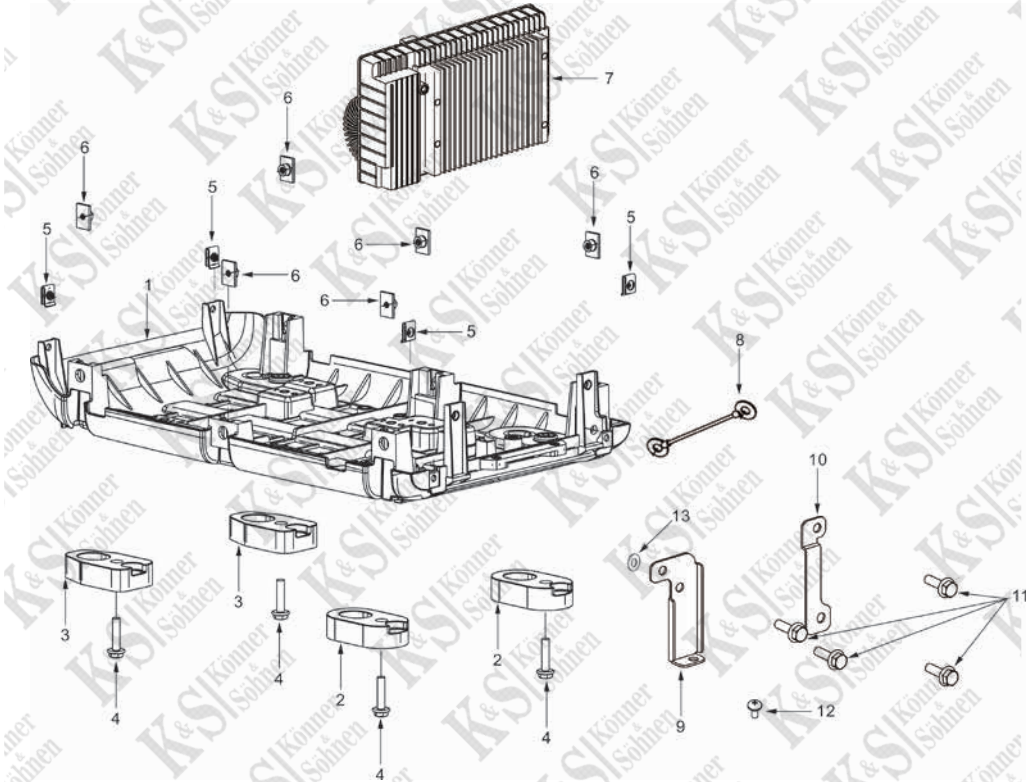
No	REF. No	DESCRIPTION	QTY
4-1	KS 3100iG S-4-4-1	Screw	3
4-2	KS 3100iG S-4-4-2	Handle trim panel	1
4-3	KS 3100iG S-4-4-3	ornament shell	1
4-4	KS 3100iG S-4-4-4	step bolts	3
4-5	KS 3100iG S-4-4-5	sheath	3
4-6	KS 3100iG S-4-4-6	Screw	2
4-7	KS 3100iG S-4-4-7	Left shell	1
4-8	KS 3100iG S-4-4-8	Nut	3

## 5. RIGHT SHELL



No	REF. No	DESCRIPTION	QTY
5-1	KS 3100iG S -5-5-1	Right shell	1
5-2	KS 3100iG S-5-5-2	Cross recessed pan head screw	2
5-3	KS 3100iG S-5-5-3	Nut	3
5-4	KS 3100iG S-5-5-4	sheath	1
5-5	KS 3100iG S-5-5-5	Spark-plug outer cover	1
5-6	KS 3100iG S-5-5-6	Anti loss rubber strip	1
5-7	KS 3100iG S-5-5-7	sheath	3
5-8	KS 3100iG S-5-5-8	step bolts	3
5-9	KS 3100iG S -5-5-9	Right exterior cover	1
5-10	KS 3100iG S-5-5-10	Screw	2
5-11	KS 3100iG S-5-5-11	Knob limit card	2
5-12	KS 3100iG S-5-5-12	Screw	2
5-13	KS 3100iG S-5-5-13	Oil maintenance cover	1
5-14	KS 3100iG S-5-5-14	Air filter maintenance cover	1
5-15	KS 3100iG S-5-5-15	Knob	2

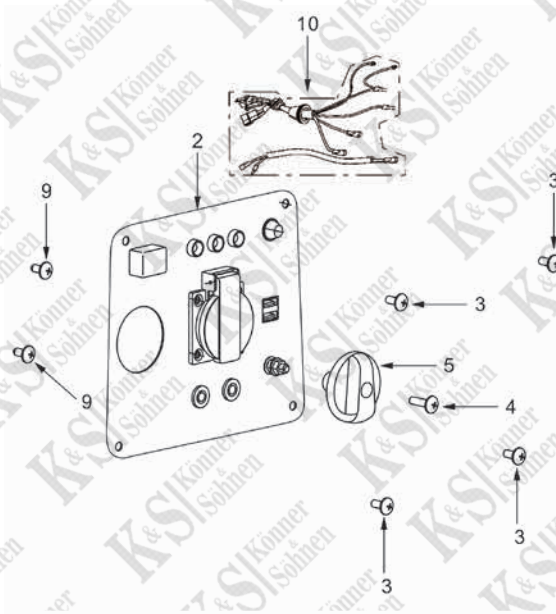
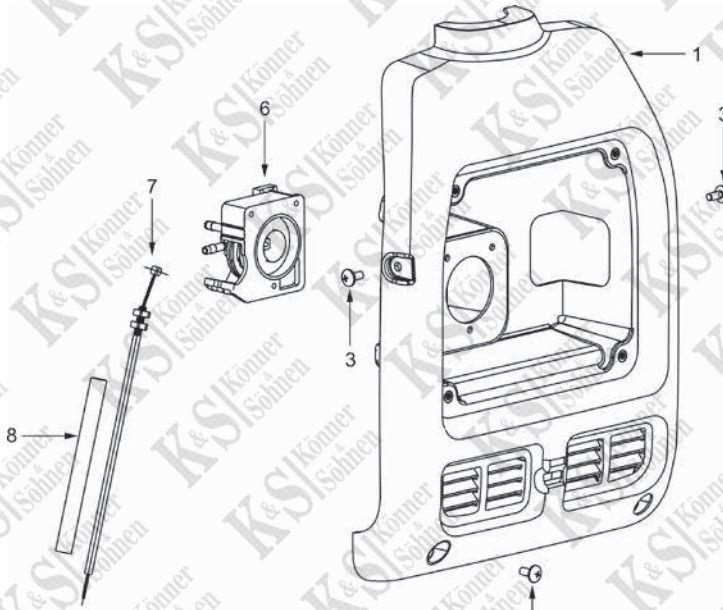
# 6. BASE PLATE COMPONENTS/INVERTER



No	REF. No	DESCRIPTION	QTY
6-1	KS 3100iG S -6-6-1	Base plate	1
6-2	KS 3100iG S-6-6-2	Shock absorber of unit	2
6-3	KS 3100iG S-6-6-3	Shock absorber of unit	2
6-4	KS 3100iG S-6-6-4	Bolt	4
6-5	KS 3100iG S-6-6-5	Nut	4
6-6	KS 3100iG S-6-6-6	Nut	6
6-7	KS 3100iG S-6-6-7	Inverter	1
6-8	KS 3100iG S-6-6-8	Ground wire	1
6-9	KS 3100iG S -6-6-9	Fixed ears of inverter	1
6-10	KS 3100iG S-6-6-10	Fixed ears of inverter	1
6-11	KS 3100iG S-6-6-11	Bolt	4
6-12	KS 3100iG S-6-6-12	Cross recessed pan head screw	1
6-13	KS 3100iG S-6-6-13	Shim	1

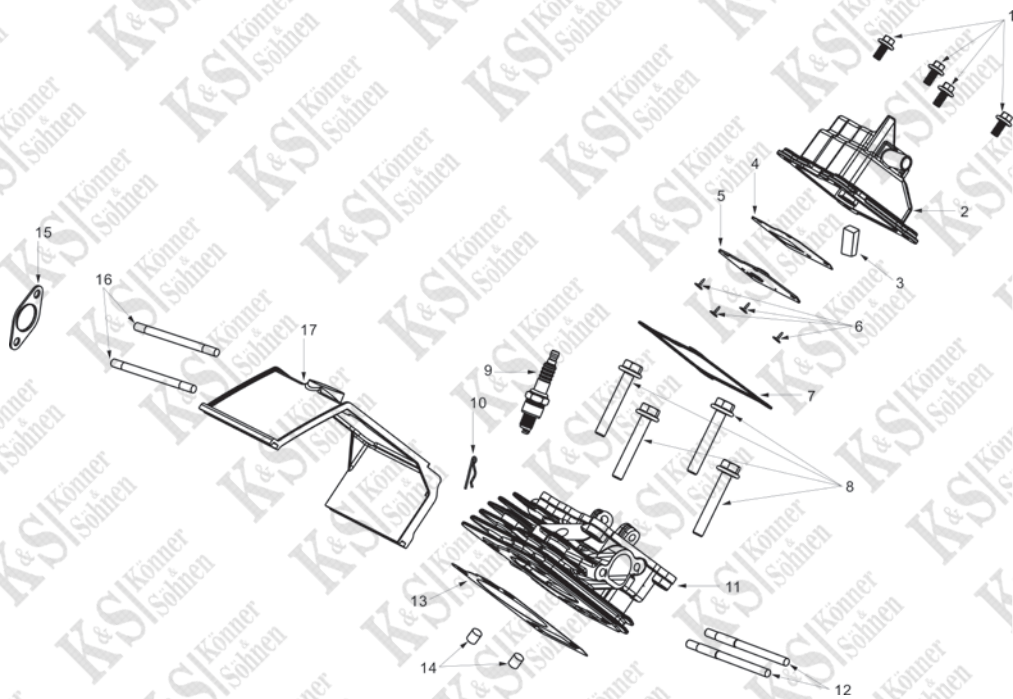


# 7. CONTROL PANEL ASSEMBLY/ PANEL HOLDER



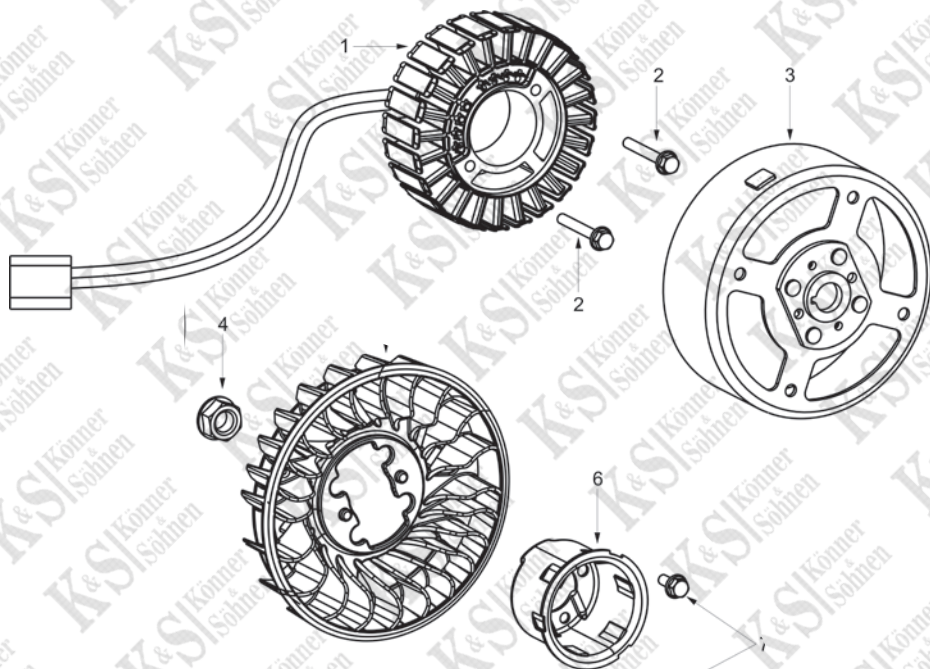
No	REF. No	DESCRIPTION	QTY
7-1	KS 3100iG S -7-7-1	panel bed	1
7-2	KS 3100iG S-7-7-2	panel 3100iG S	1
7-2	KS 3100iG S-7-7-2	panel 3100iS	1
7-3	KS 3100iG S-7-7-3	Cross recessed pan head screw	8
7-4	KS 3100iG S-7-7-4	Screw	1
7-5	KS 3100iG S-7-7-5	Three in one switch handle	1
7-6	KS 3100iG S-7-7-6	Three in one switch	1
7-7	KS 3100iG S-7-7-7	Cable assembly	1
7-8	KS 3100iG S -7-7-8	Sheath	1
7-9	KS 3100iG S-7-7-9	Cross countersunk head tapping screw	3
7-10	KS 3100iG S-7-7-10	Control harness	1

# 8. HEAD SUBASSEMBLY, CYLINDER/PLUG, SPARK



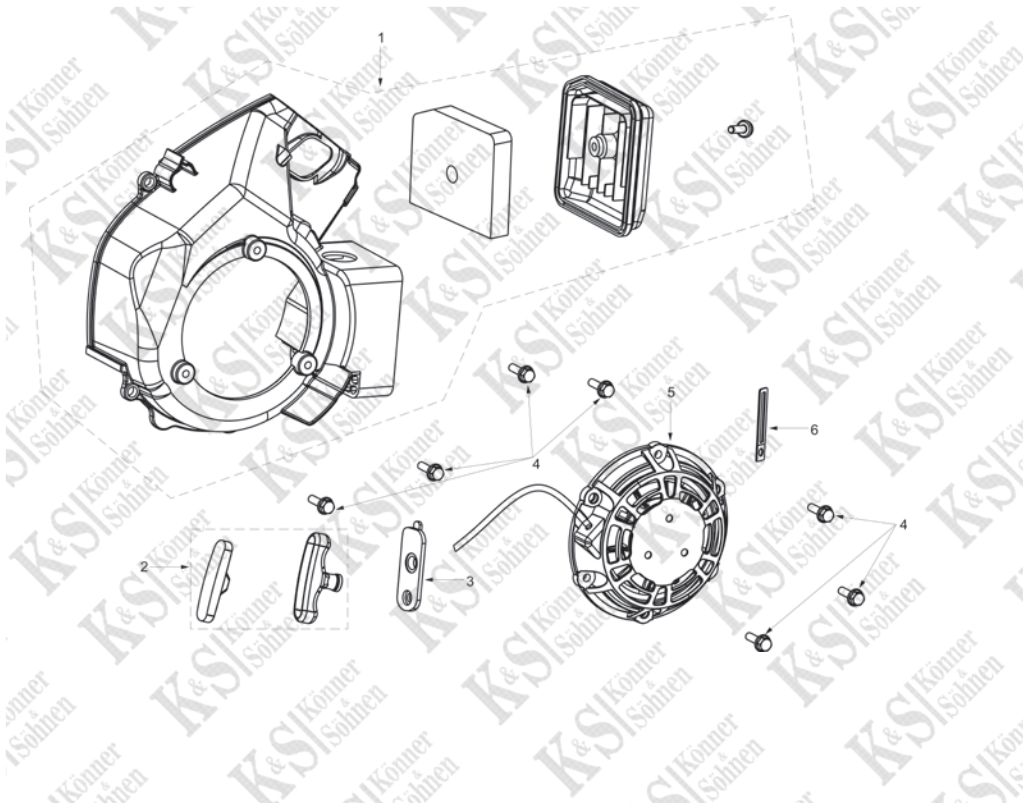
No	REF. No	DESCRIPTION	QTY
E08-1	KS 3100iG S-8-8-1	Bolt	4
E08-2	KS 3100iG S-8-8-2	Cover subassembly,Cylinder head	1
E08-3	KS 3100iG S-8-8-3	Oil screen	1
E08-4	KS 3100iG S-8-8-4	Sealing gasket of breathing tank	1
E08-5	KS 3100iG S-8-8-5	Breathing valve cover plate	1
E08-6	KS 3100iG S-8-8-6	Cross head screw	4
E08-7	KS 3100iG S-8-8-7	Cylinder head cover pad	1
E08-8	KS 3100iG S-8-8-8	Bolt	4
E08-9	KS 3100iG S-8-8-9	Spark plug	1
E08-8-10	KS 3100iG S-8-8-10	Locking clamp of speed regulating swing rod	1
E08-8-11	KS 3100iG S-8-8-11	Cylinder head	1
E08-8-12	KS 3100iG S-8-8-12	Stud bolt	2
E08-8-13	KS 3100iG S-8-8-13	Gasket,Cylinder head	1
E08-8-14	KS 3100iG S-8-8-14	Pin	2
E08-8-15	KS 3100iG S-8-8-15	Exhaust port gasket	1
E08-8-16	KS 3100iG S-8-8-16	Limit plate gasket	2
E08-8-17	KS 3100iG S-8-8-17	Wind deflector	1

## 9. MOTOR ASSEMBLY



No	REF. No	DESCRIPTION	QTY
E09-1	KS 3100iG S-9-9-1	Motor stator	1
E09-2	KS 3100iG S-9-9-2	Bolt	2
E09-3	KS 3100iG S-9-9-3	Motor rotor	1
E09-4	KS 3100iG S-9-9-4	Nut with disc	1
E09-5	KS 3100iG S-9-9-5	Impeller	1
E09-6	KS 3100iG S-9-9-6	Starting sleeve	1
E09-7	KS 3100iG S-9-9-7	Bolt	2

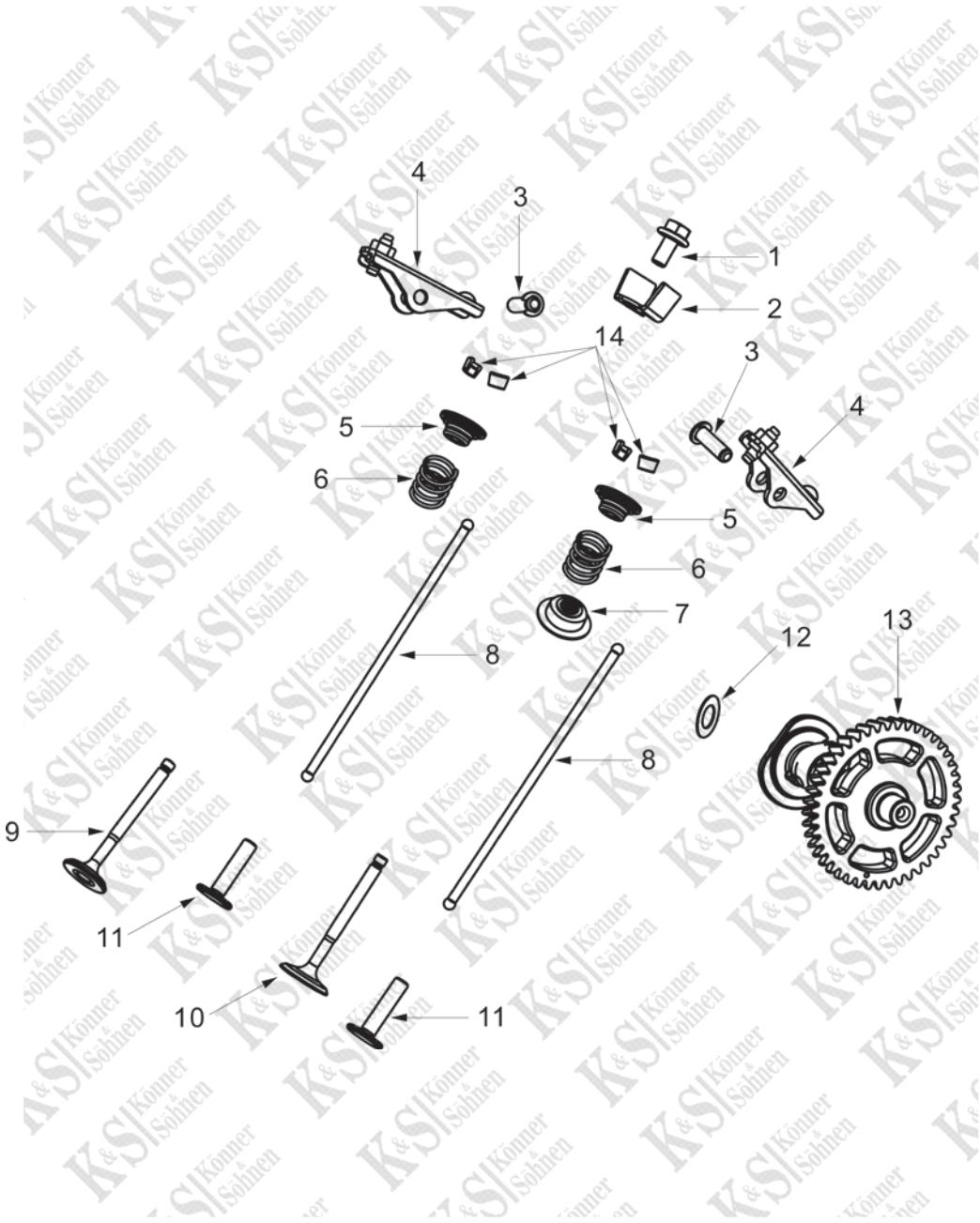
# 10. WIND DEFLECTOR ASSEMBLY/PULLER



No	REF. No	DESCRIPTION	QTY
E010-1	KS 3100iG S-10-10-1	Shroud as-air	1
E010-2	KS 3100iG S-10-10-2	Starting handle	1
E010-3	KS 3100iG S-10-10-3	Handle cover plate	1
E010-4	KS 3100iG S-10-10-4	Bolt	7
E010-5	KS 3100iG S-10-10-5	Pulling plate	1
E010-6	KS 3100iG S-10-10-6	Crimping board	1



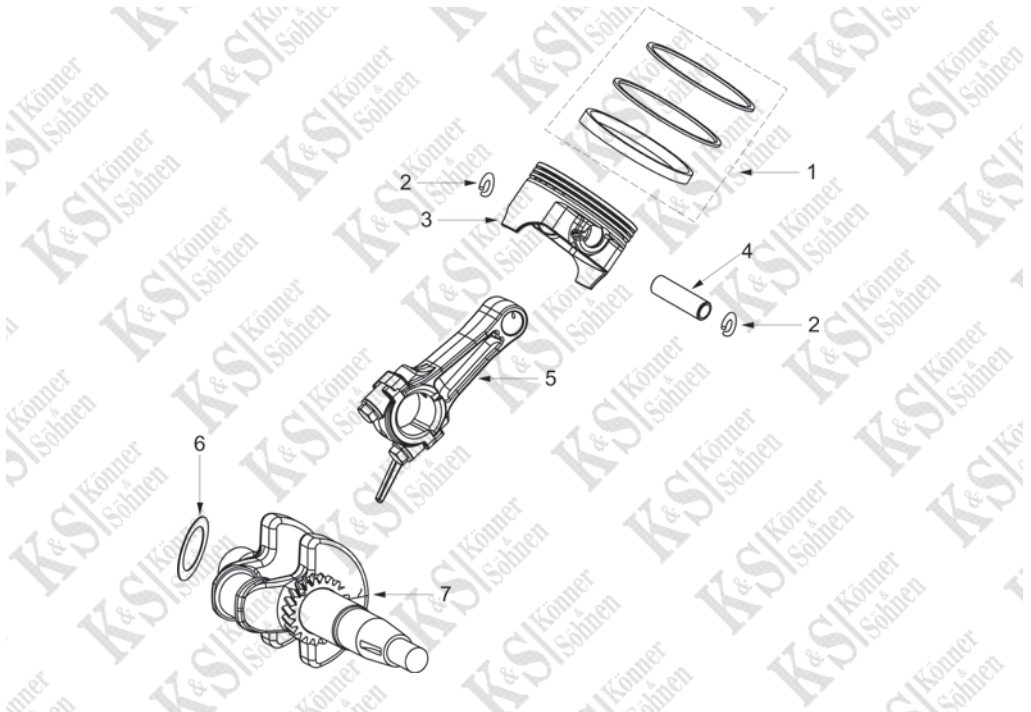
# 11. TRAIN,VALVE/CAMSHAFT SUBASSEMBLY (E05)





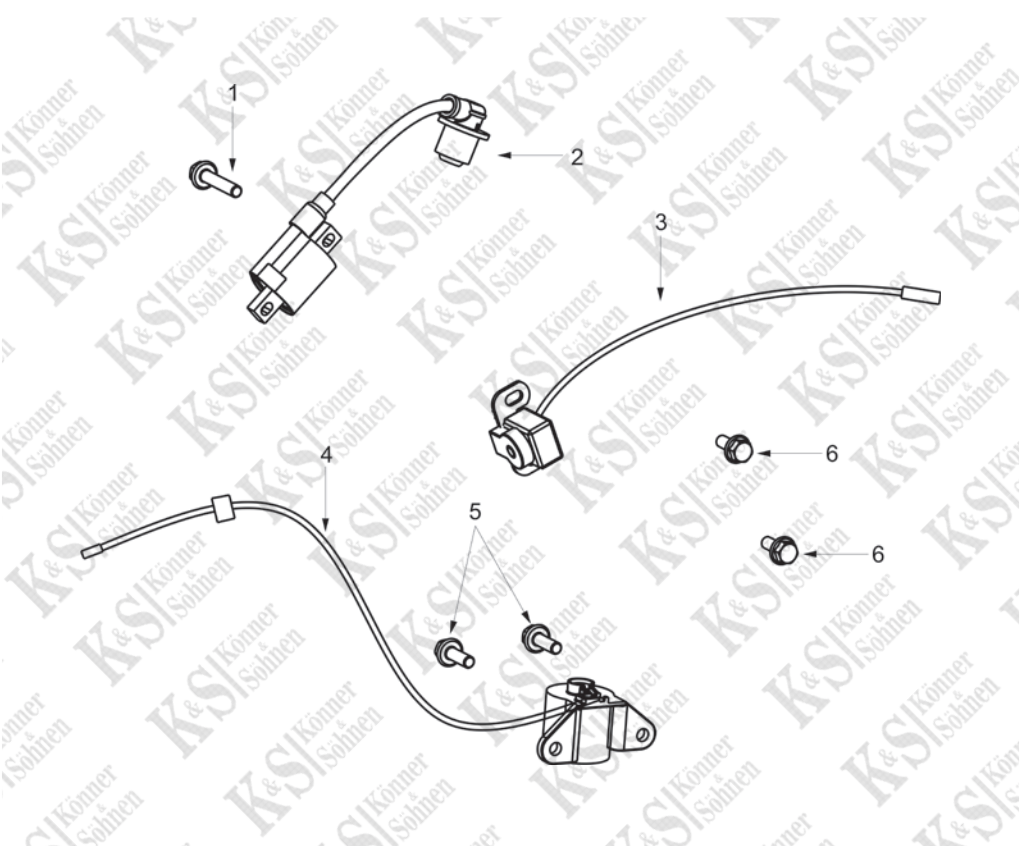
No	REF. No	DESCRIPTION	QTY
E011-1	KS 3100iG S-11-11-1	Bolt	1
E011-2	KS 3100iG S-11-11-2	Rocker shaft stop	1
E011-3	KS 3100iG S-11-11-3	Rocker pin	2
E011-4	KS 3100iG S-11-11-4	Rocker arm assembly	2
E011-5	KS 3100iG S-11-11-5	Intake and exhaust valve spring seat	2
E011-6	KS 3100iG S-11-11-6	Valve spring	2
E011-7	KS 3100iG S-11-11-7	Oil baffle	1
E011-8	KS 3100iG S-11-11-8	Putter	2
E011-9	KS 3100iG S-11-11-9	Exhaust valve	1
E011-10	KS 3100iG S-11-11-10	Intake valve	1
E011-11	KS 3100iG S-11-11-11	Tappet	2
E011-12	KS 3100iG S-11-11-12	Wear resistant gasket	1
E011-13	KS 3100iG S-11-11-13	Camshaft components	1
E011-14	KS 3100iG S-11-11-14	Valve clamp lock	4

## 12. RING SET, OIL / ROD, CRANKSHAFT CONNETING



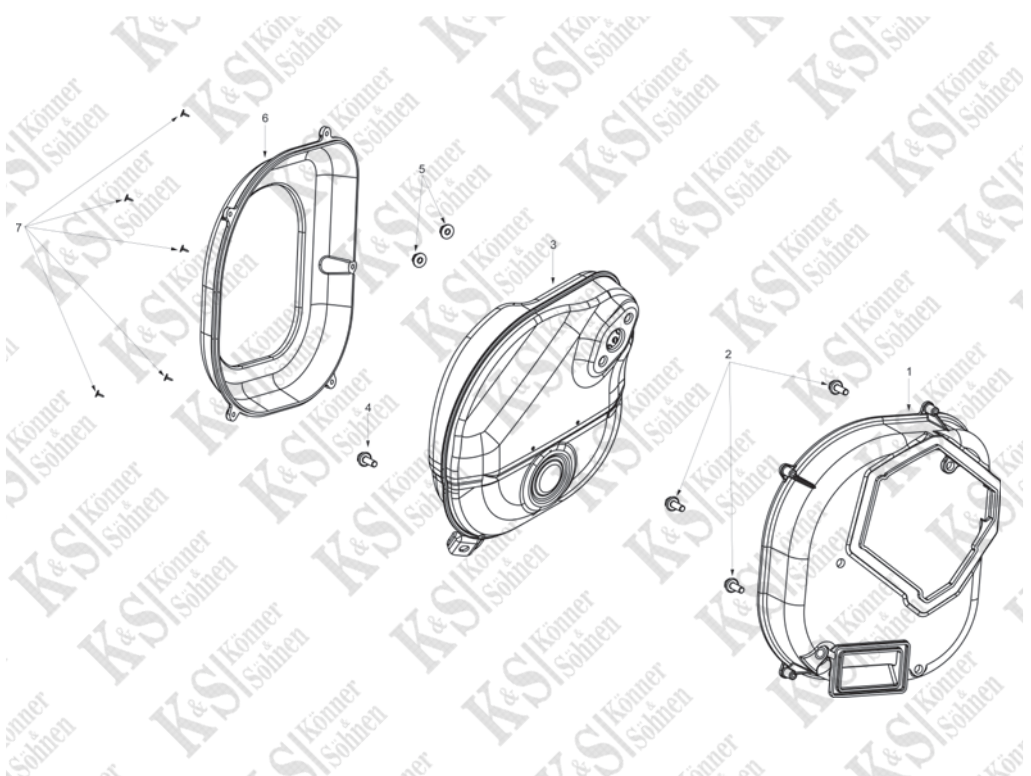
No	REF. No	DESCRIPTION	QTY
E012-1	KS 3100iG S-12-12-1	piston Rings	1
E012-2	KS 3100iG S-12-12-2	Piston pin circlip	2
E012-3	KS 3100iG S-12-12-3	Piston	1
E012-4	KS 3100iG S-12-12-4	piston pin	1
E012-5	KS 3100iG S-12-12-5	Connecting rod assembly	1
E012-6	KS 3100iG S-12-12-6	Wear resistant gasket	1
E012-7	KS 3100iG S-12-12-7	Crankshaft assembly	1

# 13. IGNITION COIL/WARNING DEVICE/TRIGGER COIL



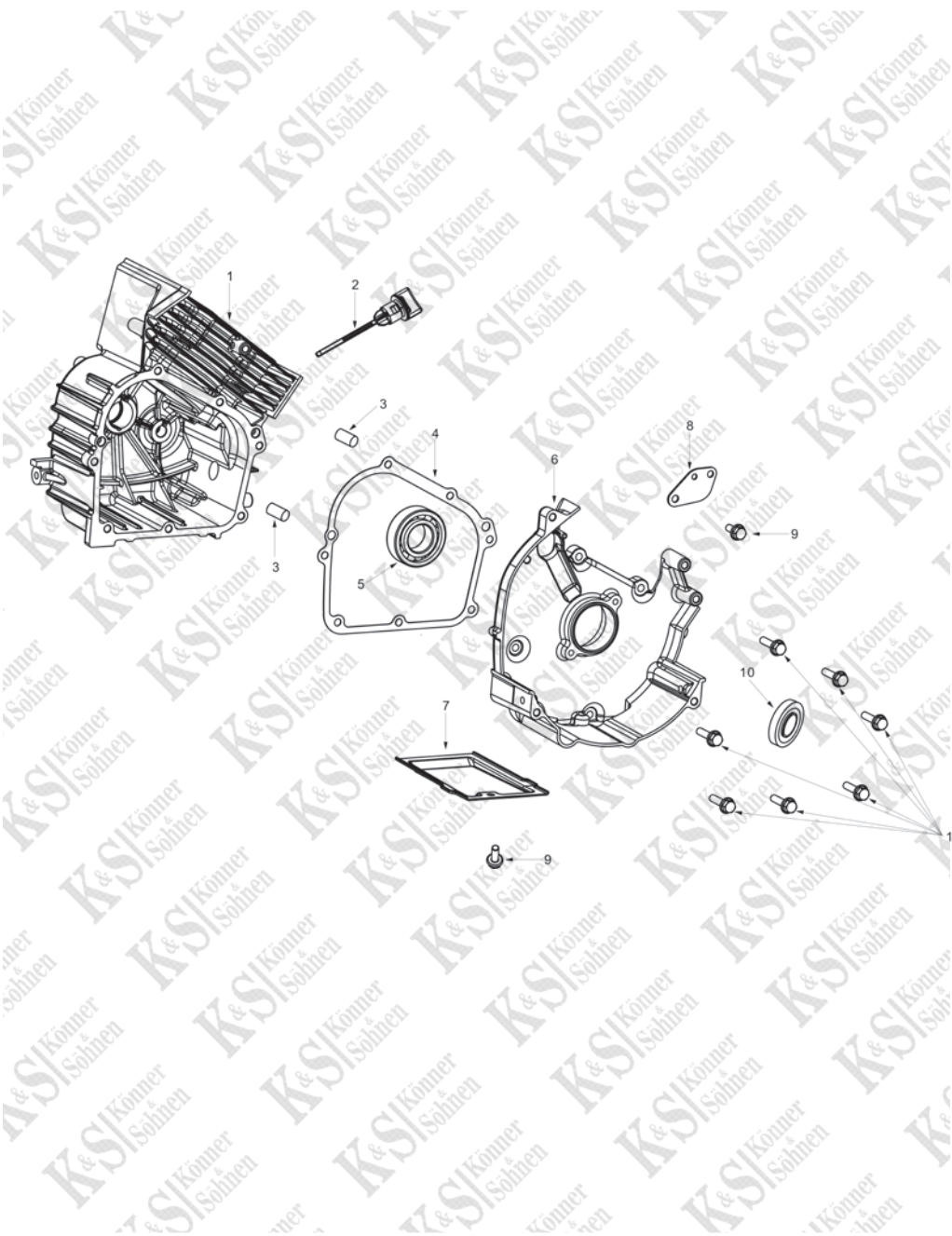
No	REF. No	DESCRIPTION	QTY
E013-1	KS 3100iG S-13-13-1	Bolt	1
E013-2	KS 3100iG S-13-13-2	Ignition coil	1
E013-3	KS 3100iG S-13-13-3	Trigger coil assembly	1
E013-4	KS 3100iG S-13-13-4	Oil alarm	1
E013-5	KS 3100iG S-13-13-5	Bolt	2
E013-6	KS 3100iG S-13-13-6	Bolt	2

# 14. MUFFLER



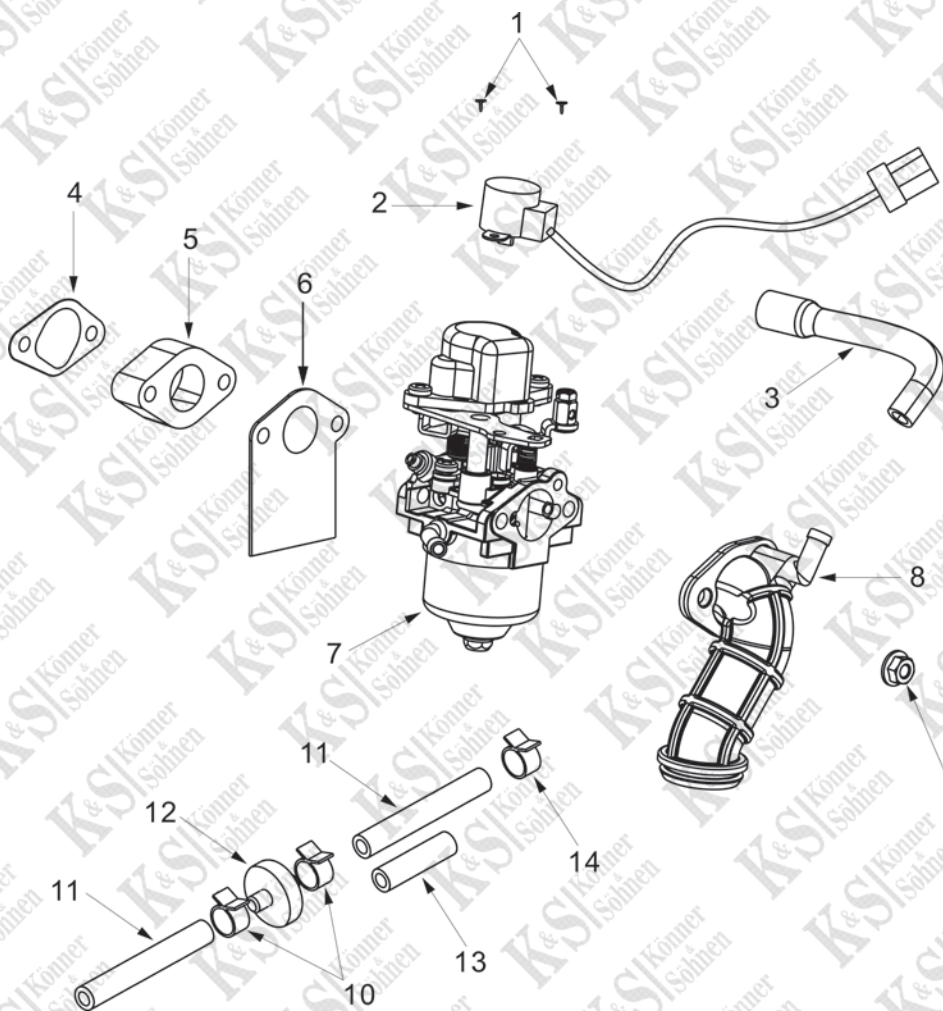
No	REF. No	DESCRIPTION	QTY
E014-1	KS 3100iG S-14-14-1	Muffler cover (front)	1
E014-2	KS 3100iG S-14-14-2	Bolt	3
E014-3	KS 3100iG S-14-14-3	Muffler components	1
E014-4	KS 3100iG S-14-14-4	Bolt	1
E014-5	KS 3100iG S-14-14-5	Locking nut with disc	2
E014-6	KS 3100iG S-14-14-6	Muffler cover (rear)	1
E014-7	KS 3100iG S-14-14-7	Self tapping screw	5

15. ....



No	REF. No	DESCRIPTION	QTY
E015-1	KS 3100iG S-15-15-1	Crank case	1
E015-2	KS 3100iG S-15-15-2	Dipstick assembly	1
E015-3	KS 3100iG S-15-15-3	Locating pin	2
E015-4	KS 3100iG S-15-15-4	Crankcase gasket	1
E015-5	KS 3100iG S-15-15-5	Bearing	1
E015-6	KS 3100iG S-15-15-6	Crankcase cover	1
E015-7	KS 3100iG S-15-15-7	Lower wind deflector	1
E015-8	KS 3100iG S-15-15-8	Crimping board	1
E015-9	KS 3100iG S--15-15-9	Bolt	2
E015-10	KS 3100iG S-15-15-10	Oil seal	1
E015-11	KS 3100iG S-15-15-11	Bolt	7

# 16. CARBURETOR





No	REF. No	DESCRIPTION	QTY
E016-1	KS 3100iG S-16-16-1	Cross head screw	2
E016-2	KS 3100iG S-16-16-2	Stepper motor	1
E016-3	KS 3100iG S-16-16-3	Exhaust pipe	1
E016-4	KS 3100iG S-16-16-4	Air inlet gasket	1
E016-5	KS 3100iG S-16-16-5	Carburetor block	1
E016-6	KS 3100iG S-16-16-6	Carburetor gasket	1
E016-7	KS 3100iG S-16-16-7	Carburetor 3100iG S	1
E016-7	KS 3100iG S-16-16-7	Carburetor 3100iS	1
E016-8	KS 3100iG S-16-16-8	Intake elbow	1
E016-9	KS 3100iG S-16-16-9	Locking nut with disc	2
E016-10	KS 3100iG S-16-16-10	Ribbon tubing clamp	2
E016-11	KS 3100iG S-16-16-11	Fuel Tube	2
E016-12	KS 3100iG S-16-16-12	Fuel filter	1
E016-13	KS 3100iG S-16-16-13	Silicone protective sleeve	1
E016-14	KS 3100iG S-16-16-14	Ribbon tubing clamp	1

## **CONTACTS**

**Germany**

**ks-power.de**

**info@**

**dimaxgroup.de**

**Ukraine**

**ks-power.com.ua**

**sales@ks-power.**

**com.ua**

**Poland**

**ks-power.pl**

**info.pl@**

**dimaxgroup.de**

**Russia**

**ks-power.ru**

**info@ks-power.ru**

**TRADITIONELLE DEUTSCHE QUALITÄT**