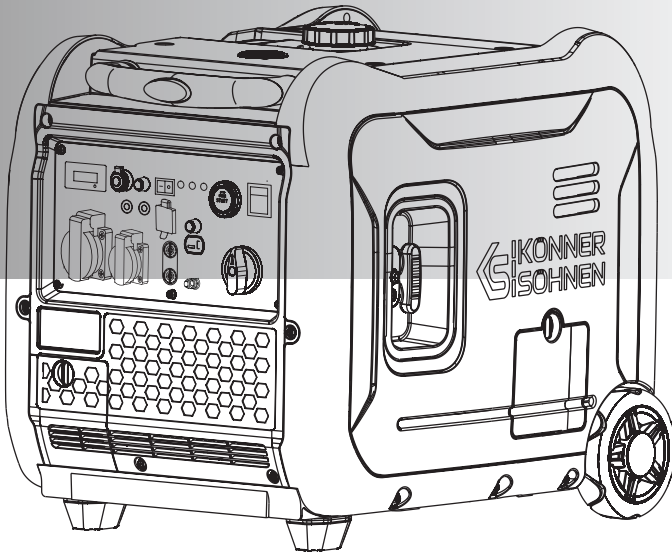


INVERTER GENERATOR

EXPLODED VIEW

KS 5500iE S ATSR

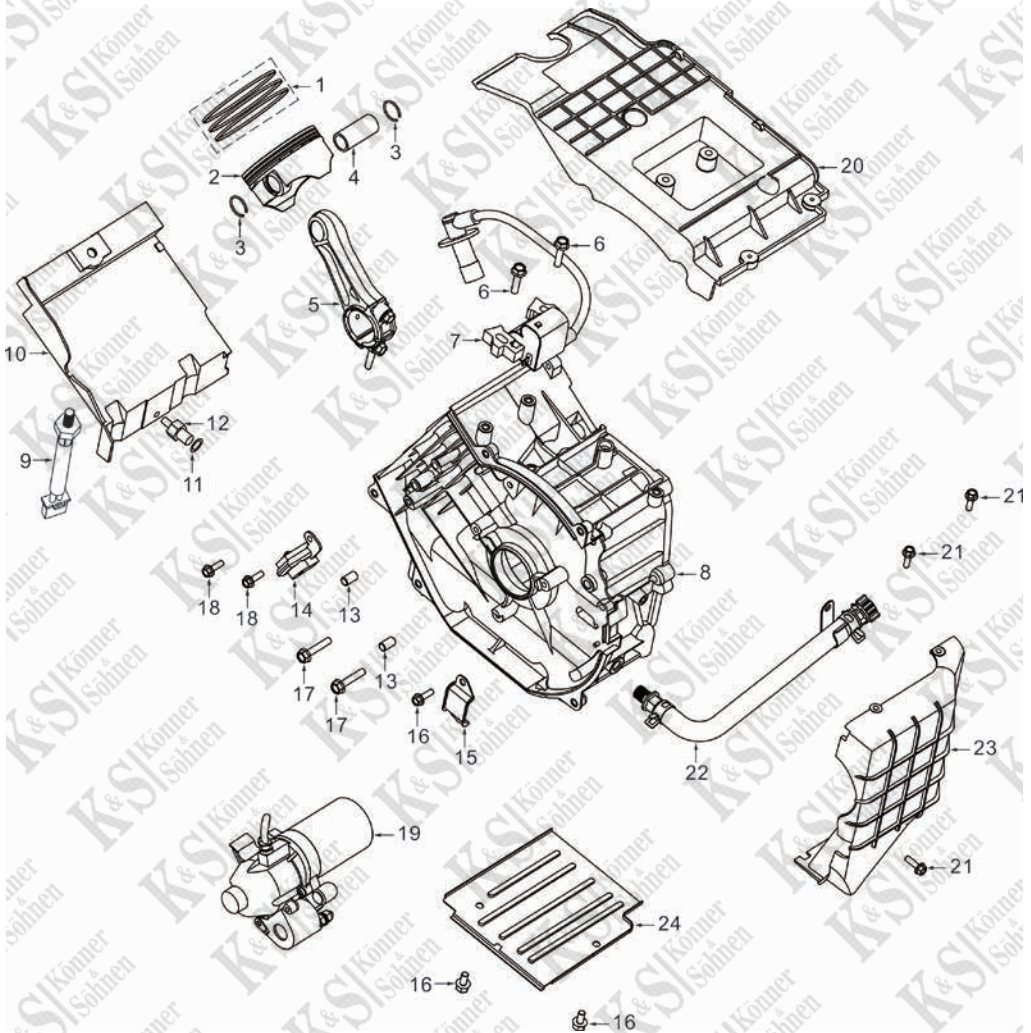


TRADITIONELLE DEUTSCHE QUALITÄT

CONTENTS

1. Crankcase.....	2
2. Crankcase cover.....	5
3. Motor assembly.....	7
4. Cylinder head parts.....	8
5. Engine starter.....	10
6. Air distribution.....	11
7. Carburetor parts.....	13
8. Air cleaner.....	14
9. Righthousing.....	15
10. Lefthousing.....	17
11. Muffler parts.....	18
12. Frame.....	20
13. Pull rod/housing.....	23
14. Tail cover.....	25
15. Panel.....	26
16. Fuel tank components.....	28

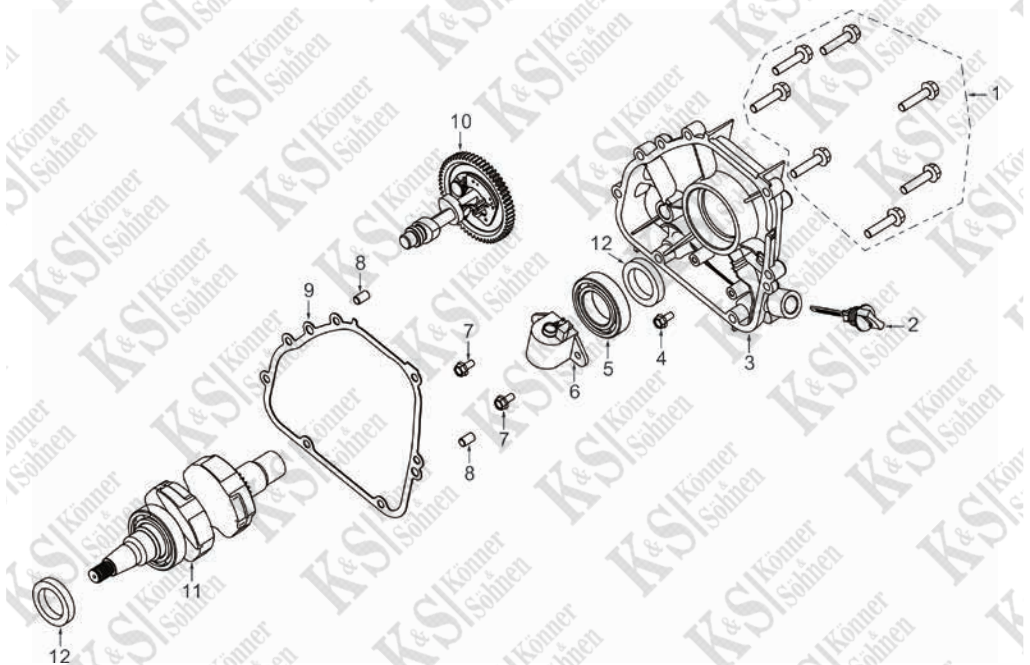
1. CRANKCASE



No	REF. No	DESCRIPTION	QTY
1	KS 5500iE S ATSR -1-1	Piston ring ass.	1
2	KS 5500iE S ATSR-1-2	Piston	1
3	KS 5500iE S ATSR-1-3	Clip, Piston pin	2
4	KS 5500iE S ATSR-1-4	Piston pin	1
5	KS 5500iE S ATSR-1-5	Connecting rod assembly	1
6	KS 5500iE S ATSR -1-6	Blot	2
7	KS 5500iE S ATSR-1-7	High pressure bag	1
8	KS 5500iE S ATSR-1-8	Crankcase body	1
9	KS 5500iE S ATSR-1-9	Temperature sensor	1
10	KS 5500iE S ATSR-1-10	Cylinder guide hood	1
11	KS 5500iE S ATSR-1-11	Gasket for oil drain bolt	2
12	KS 5500iE S ATSR-1-12	Oil drain bolt	2

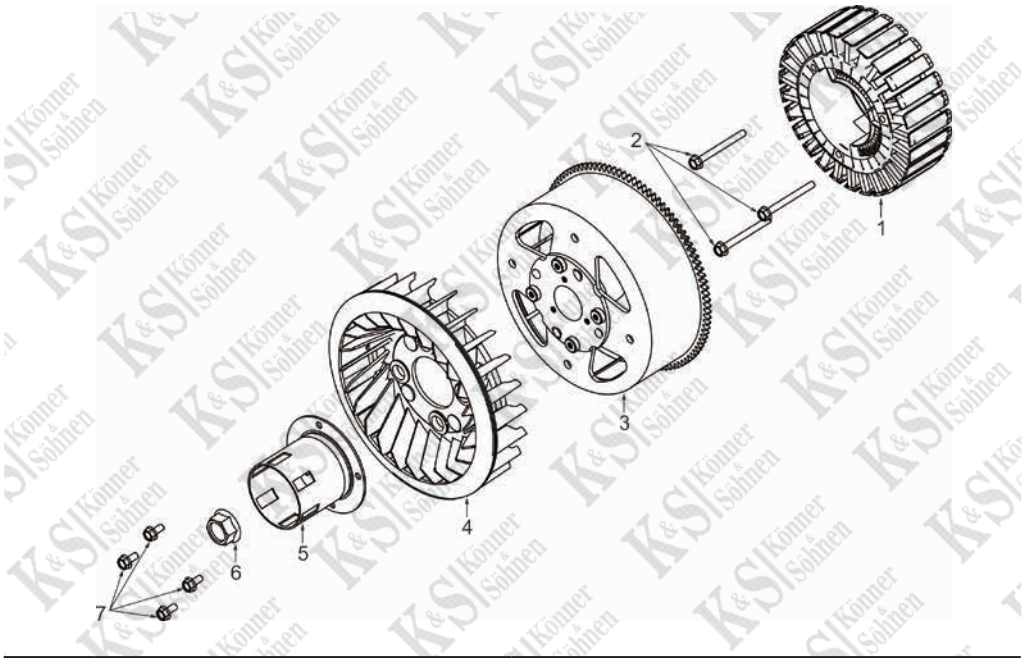
No	REF. No	DESCRIPTION	QTY
13	KS 5500iE S ATSR -1-13	Set pin	2
14	KS 5500iE S ATSR-1-14	Trigger	1
15	KS 5500iE S ATSR-1-15	Crimping board	1
16	KS 5500iE S ATSR-1-16	Blot	3
17	KS 5500iE S ATSR-1-17	Blot	2
18	KS 5500iE S ATSR -1-18	Blot	2
19	KS 5500iE S ATSR-1-19	Starting motor	1
20	KS 5500iE S ATSR-1-20	Case cover	1
21	KS 5500iE S ATSR-1-21	Blot	3
22	KS 5500iE S ATSR-1-22	Oil drain pipe combination	1
23	KS 5500iE S ATSR-1-23	Starting motor cover	1
24	KS 5500iE S ATSR-1-24	Engine floor	1

2. CRANKCASE COVER



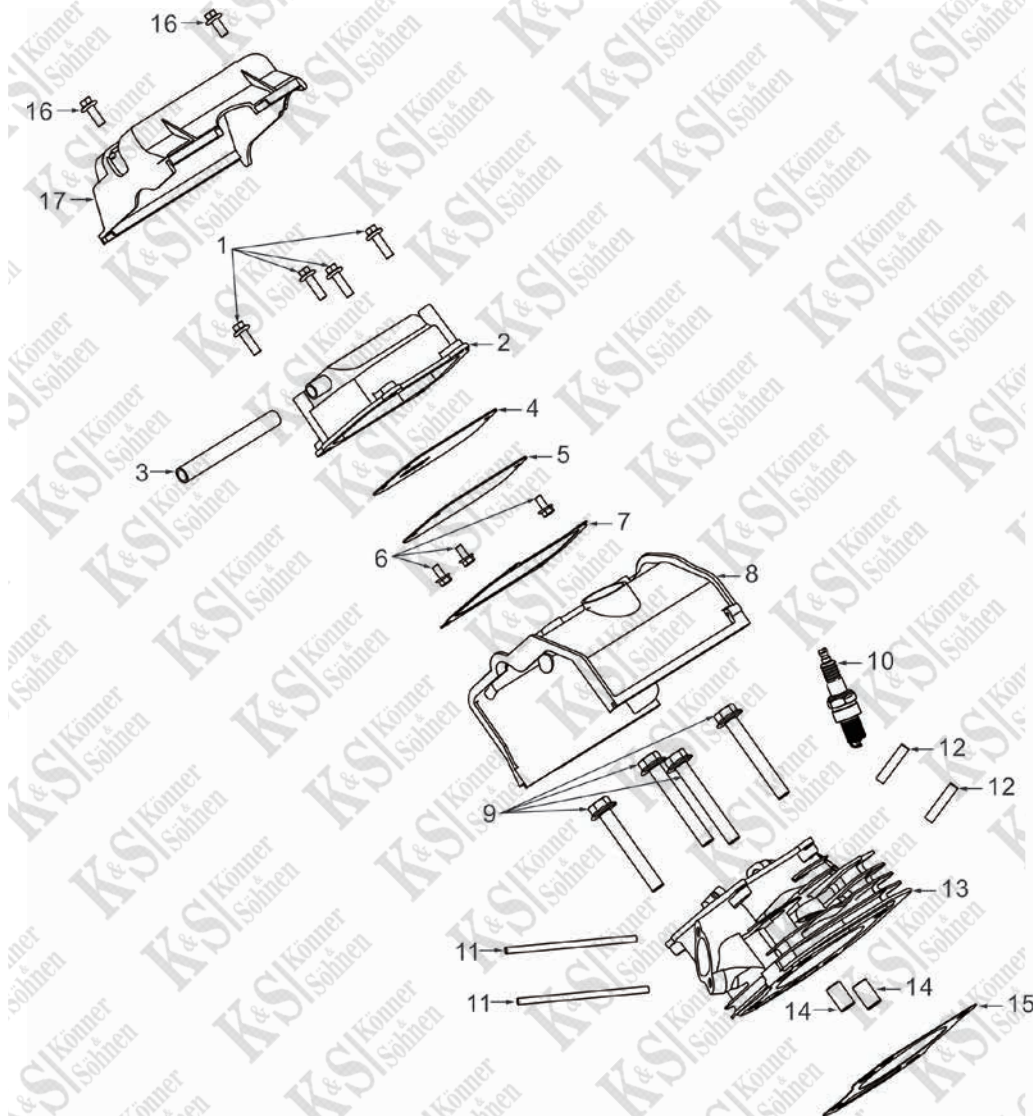
No	REF. No	DESCRIPTION	QTY
1	KS 5500iE S ATSR -2-1	Blot	7
2	KS 5500iE S ATSR-2-2	Oil gauge ass.	1
3	KS 5500iE S ATSR-2-3	Crankcase cover	1
4	KS 5500iE S ATSR-2-4	Blot	1
5	KS 5500iE S ATSR-2-5	Ball bearing	1
6	KS 5500iE S ATSR -2-6	Warning device	1
7	KS 5500iE S ATSR-2-7	Blot	2
8	KS 5500iE S ATSR-2-8	Set pin	2
9	KS 5500iE S ATSR-2-9	Gasket,Crankcase	1
10	KS 5500iE S ATSR-2-10	Camshaft ass.	1
11	KS 5500iE S ATSR-2-11	Grankshaft ass.	1
12	KS 5500iE S ATSR-2-12	Oil seal	2

3. MOTOR ASSEMBLY



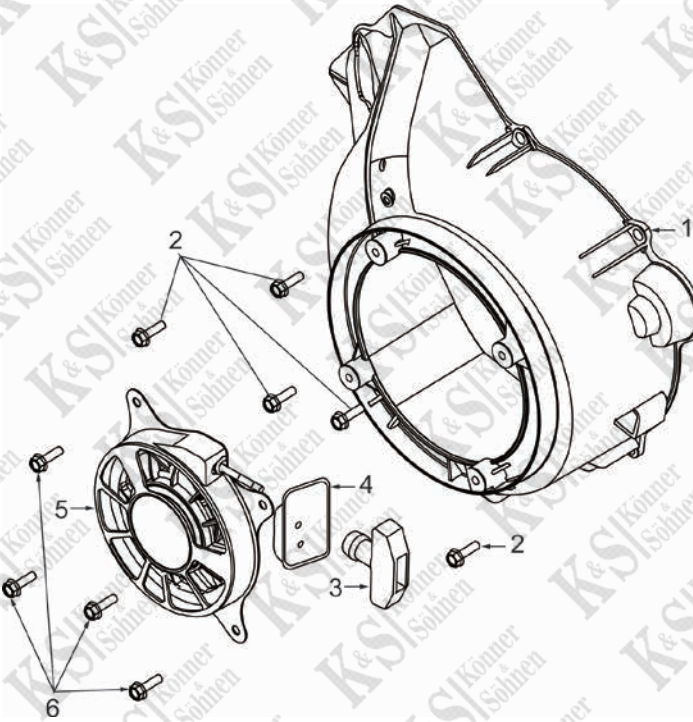
No	REF. No	DESCRIPTION	QTY
1	KS 5500iE S ATSR -3-1	Motor stator	1
2	KS 5500iE S ATSR-3-2	Blot	3
3	KS 5500iE S ATSR-3-3	Motor rotor	1
4	KS 5500iE S ATSR-3-4	Flywheel fan	1
5	KS 5500iE S ATSR-3-5	Starting sleeve	1
6	KS 5500iE S ATSR -3-6	Nut	1
7	KS 5500iE S ATSR-3-7	Blot	4

4. CYLINDER HEAD PARTS



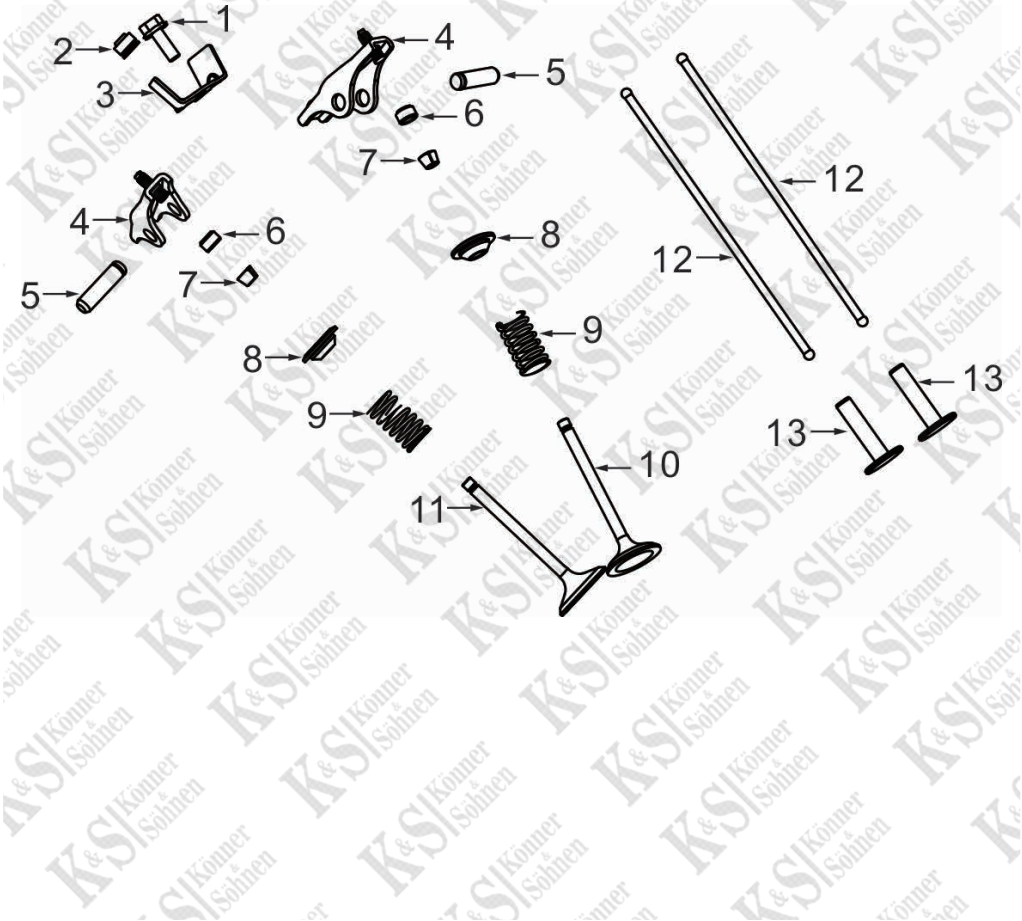
No	REF. No	DESCRIPTION	QTY
1	KS 5500iE S ATSR -4-1	Blot	4
2	KS 5500iE S ATSR-4-2	Cylinder head cover	1
3	KS 5500iE S ATSR-4-3	Exhaust pipe	1
4	KS 5500iE S ATSR-4-4	Breathing valve plate assembly	1
5	KS 5500iE S ATSR-4-5	Breathing valve pad	1
6	KS 5500iE S ATSR -4-6	Blot	1
7	KS 5500iE S ATSR-4-7	Cylinder head cover pad	1
8	KS 5500iE S ATSR-4-8	Cylinder head cover	1
9	KS 5500iE S ATSR-4-9	Blot	4
10	KS 5500iE S ATSR-4-10	Spark plug	1
11	KS 5500iE S ATSR-4-11	Blot	2
12	KS 5500iE S ATSR-4-12	Blot	2
13	KS 5500iE S ATSR-4-13	Cylinder head	1
14	KS 5500iE S ATSR-4-14	Set pin	2
15	KS 5500iE S ATSR-4-15	Gasket, Cylinder head	1
16	KS 5500iE S ATSR-4-16	Blot	2
17	KS 5500iE S ATSR-4-17	Cylinder head cover	1

5. ENGINE STARTER



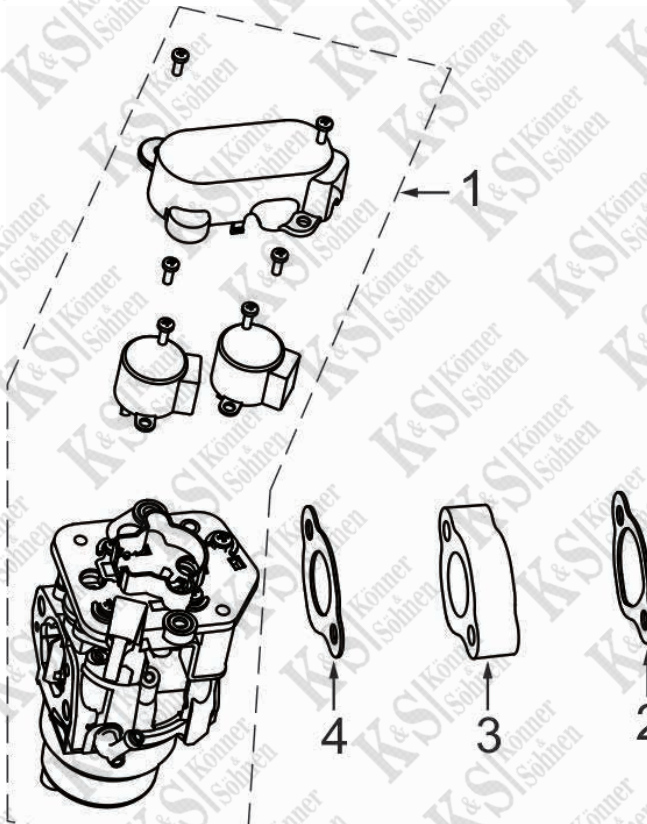
No	REF. No	DESCRIPTION	QTY
1	KS 5500iE S ATSR -5-1	Starting hood	1
2	KS 5500iE S ATSR-5-2	Blot	5
3	KS 5500iE S ATSR-5-3	Starting handle	1
4	KS 5500iE S ATSR-5-4	Handle cover	1
5	KS 5500iE S ATSR-5-5	Pull the plate	1
6	KS 5500iE S ATSR -5-6	Blot	4

6. AIR DISTRIBUTION



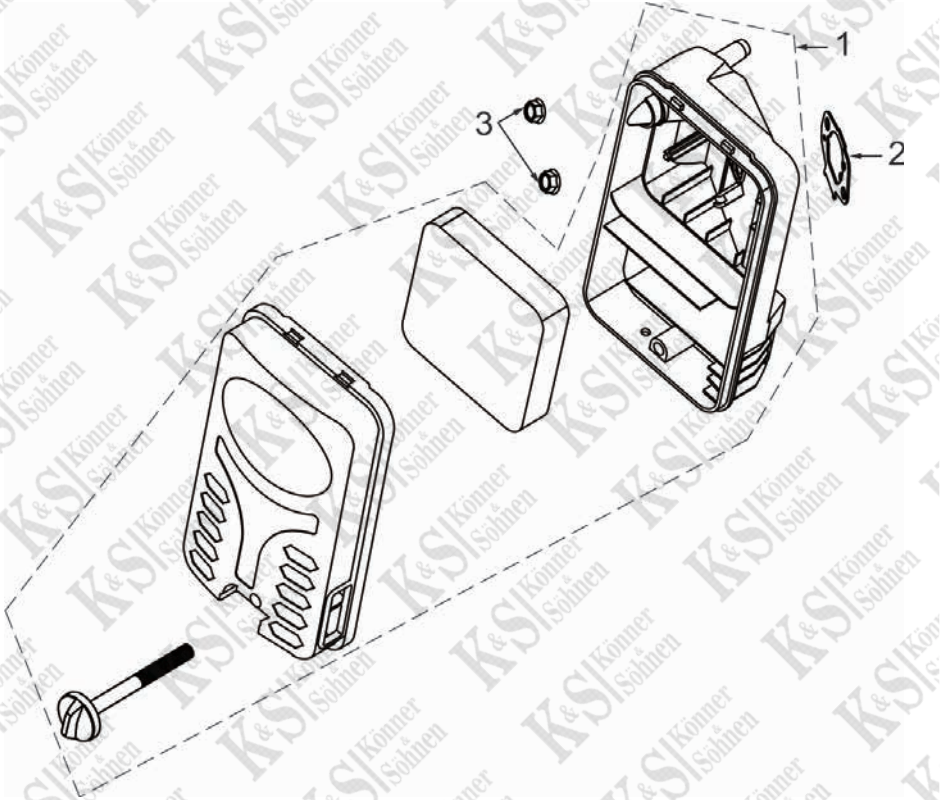
No	REF. No	DESCRIPTION	QTY
1	KS 5500iE S ATSR -6-1	Blot	1
2	KS 5500iE S ATSR-6-2	Oil seal,Intake valve	1
3	KS 5500iE S ATSR-6-3	Rocker shaft stop	1
4	KS 5500iE S ATSR-6-4	Rocker ass.	2
5	KS 5500iE S ATSR-6-5	Rocker shaft	2
6	KS 5500iE S ATSR -6-6	Valve top cap	2
7	KS 5500iE S ATSR-6-7	Valve collet	2
8	KS 5500iE S ATSR-6-8	Valve spring seat	2
9	KS 5500iE S ATSR-6-9	Valve spring	2
10	KS 5500iE S ATSR-6-10	Exhaust valve	1
11	KS 5500iE S ATSR-6-11	Intake valve	1
12	KS 5500iE S ATSR-6-12	Pusher	2
13	KS 5500iE S ATSR-6-13	Tappet	2

7. CARBURETOR PARTS



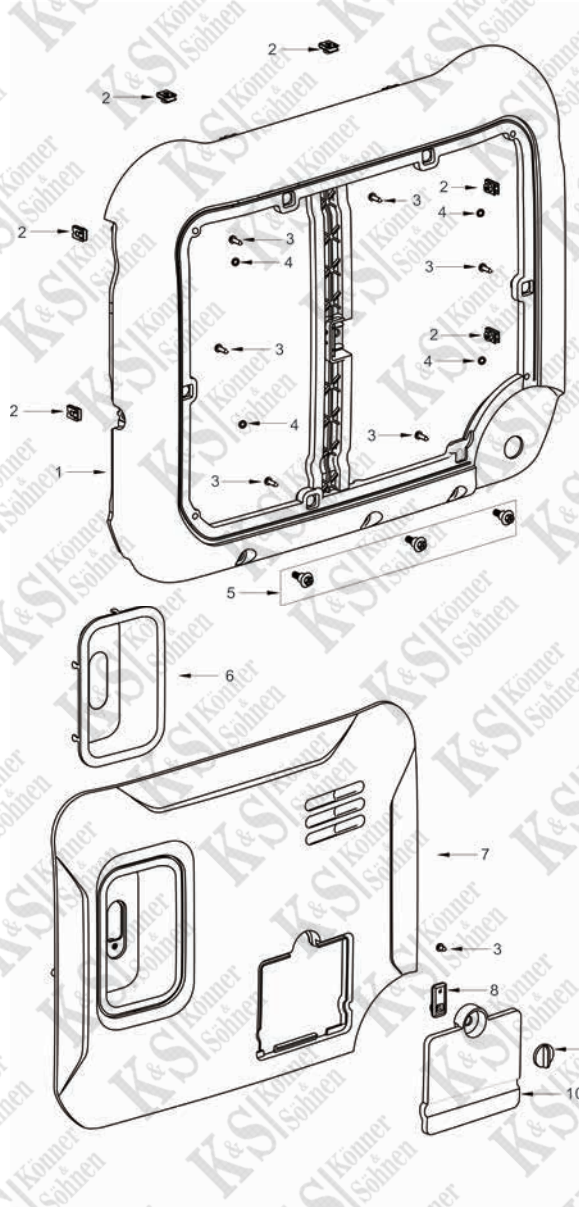
No	REF. No	DESCRIPTION	QTY
1	KS 5500iE S ATSR -7-1	Carburetor ass. KS 5500iE S ATSR	1
1	KS 5500iE S ATSR-7-1	Carburetor ass. KS 5500iEG S	1
2	KS 5500iE S ATSR-7-2	Gasket,inlet port	1
3	KS 5500iE S ATSR-7-3	Carburetor block	1
4	KS 5500iE S ATSR-7-4	Gasket, carburetor	1

8. AIR CLEANER



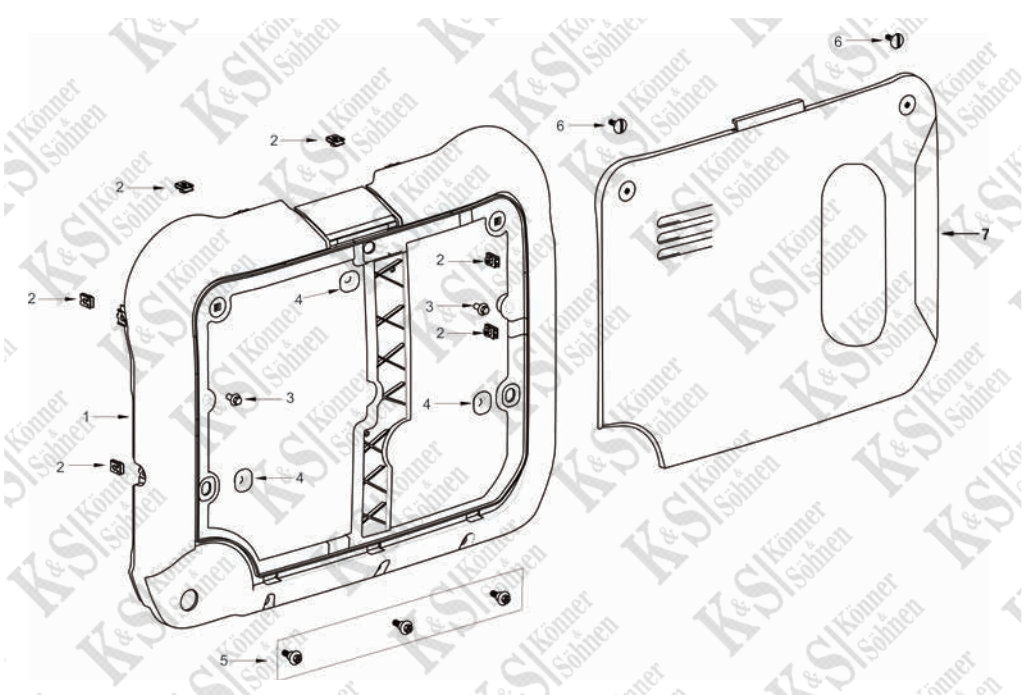
No	REF. No	DESCRIPTION	QTY
1	KS 5500iE S ATSR -8-1	Air cleaner ass.	1
2	KS 5500iE S ATSR-8-2	Air filter paper pad	1
3	KS 5500iE S ATSR-8-3	Nut	2

9. RIGHT HOUSING



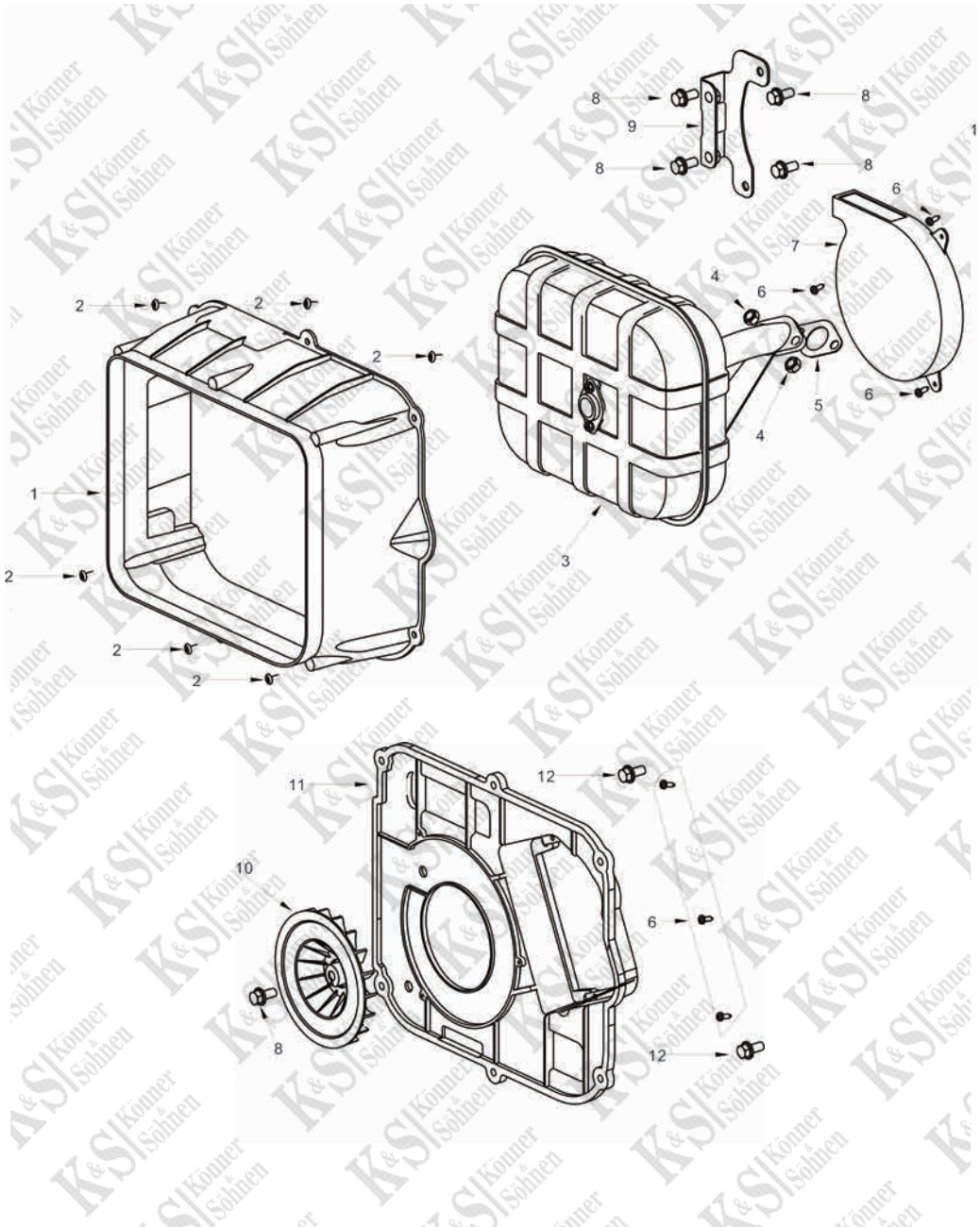
No	REF. No	DESCRIPTION	QTY
1	KS 5500iE S ATSR -9-1	Right shell	1
2	KS 5500iE S ATSR-9-2	Nut	6
3	KS 5500iE S ATSR-9-3	Self tapping screw	7
4	KS 5500iE S ATSR-9-4	Plum blossom hole retaining ring	4
5	KS 5500iE S ATSR-9-5	Bolt	3
6	KS 5500iE S ATSR -9-6	Decorative cover of starting handle	1
7	KS 5500iE S ATSR-9-7	Right appearance cover	1
8	KS 5500iE S ATSR-9-8	Limit stop	1
9	KS 5500iE S ATSR-9-9	Door knob	1
10	KS 5500iE S ATSR-9-10	Oil filling and draining maintenance door	1

10. LEFT HOUSING



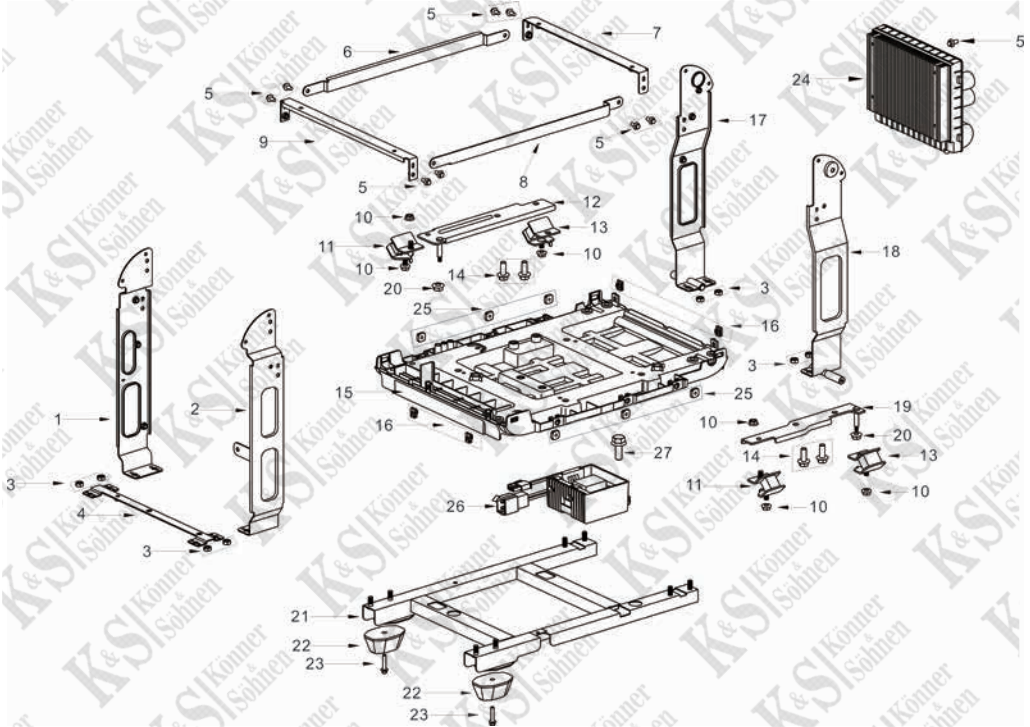
No	REF. No	DESCRIPTION	QTY
1	KS 5500iE S ATSR -10-1	Left housing	1
2	KS 5500iE S ATSR-10-2	Nut	6
3	KS 5500iE S ATSR-10-3	Bolt	2
4	KS 5500iE S ATSR-10-4	Oil tank support rubber sleeve B	3
5	KS 5500iE S ATSR-10-5	Bolt	3
6	KS 5500iE S ATSR -10-6	Slotted half round head screw	2
7	KS 5500iE S ATSR -10-7	Left appearance cover	1

11. MUFFLER PARTS



No	REF. No	DESCRIPTION	QTY
1	KS 5500iE S ATSR -11-1	Muffler cover	1
2	KS 5500iE S ATSR-11-2	Bolt	6
3	KS 5500iE S ATSR-11-3	Muffler assembly	1
4	KS 5500iE S ATSR-11-4	Hexagon nut	2
5	KS 5500iE S ATSR-11-5	Muffler gasket	1
6	KS 5500iE S ATSR -11-6	Self tapping screw	6
7	KS 5500iE S ATSR-11-7	Fan hood	1
8	KS 5500iE S ATSR-11-8	Bolt	5
9	KS 5500iE S ATSR-11-9	Muffler mounting bracket	1
10	KS 5500iE S ATSR-11-10	Fan	1
11	KS 5500iE S ATSR-11-11	The muffler housing clapboard	1
12	KS 5500iE S ATSR-11-12	Bolt	2

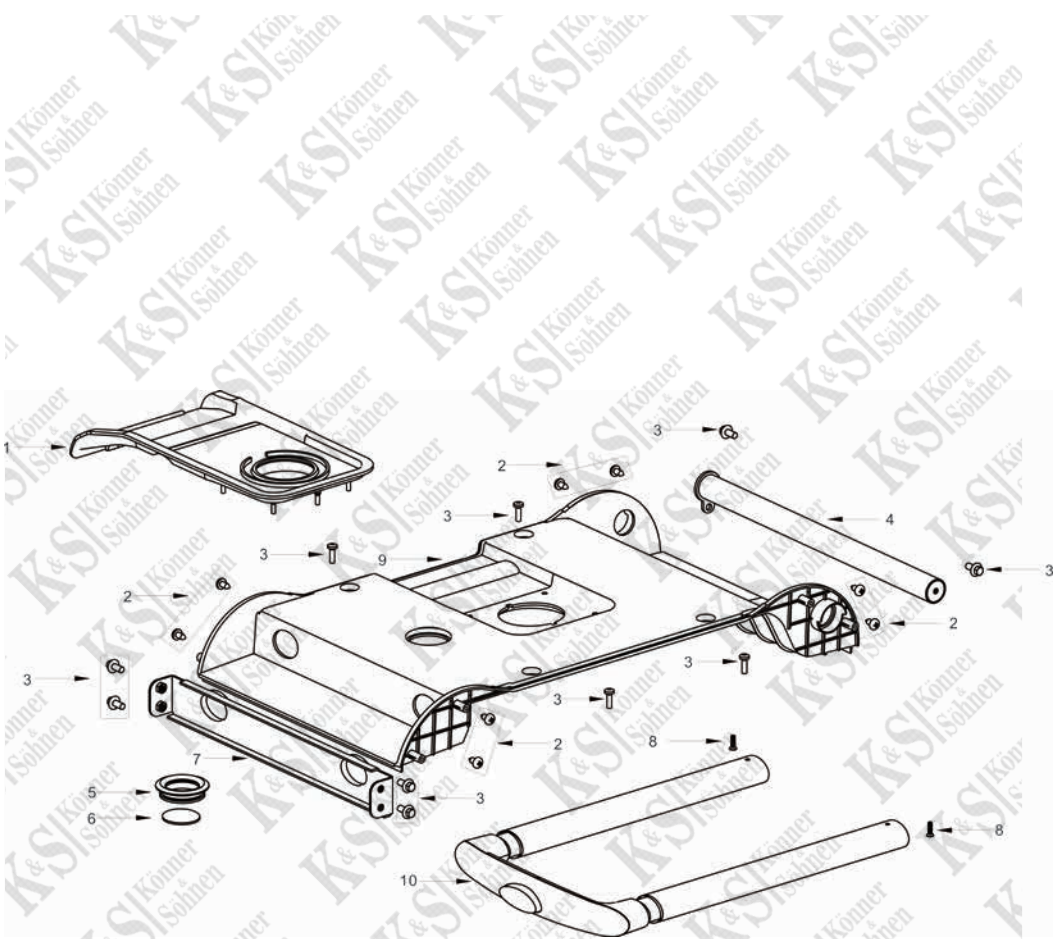
12. FRAME



No	REF. No	DESCRIPTION	QTY
1	KS 5500iE S ATSR -12-1	Left bracket 1	1
2	KS 5500iE S ATSR-12-2	Right bracket 1	1
3	KS 5500iE S ATSR-12-3	Nut	8
4	KS 5500iE S ATSR-12-4	Front cross bar	1
5	KS 5500iE S ATSR-12-5	Bolt	9
6	KS 5500iE S ATSR -12-6	Left rail	1
7	KS 5500iE S ATSR-12-7	Fuel tank rear bracket	1
8	KS 5500iE S ATSR-12-8	Right rail	1
9	KS 5500iE S ATSR-12-9	Fuel tank front bracket	1
10	KS 5500iE S ATSR-12-10	Nut	6
11	KS 5500iE S ATSR-12-11	Damping pad 1	2
12	KS 5500iE S ATSR-12-12	Power fixed base plate 1	1
13	KS 5500iE S ATSR-12-13	Damping pad 1	2
14	KS 5500iE S ATSR-12-14	Bolt	4

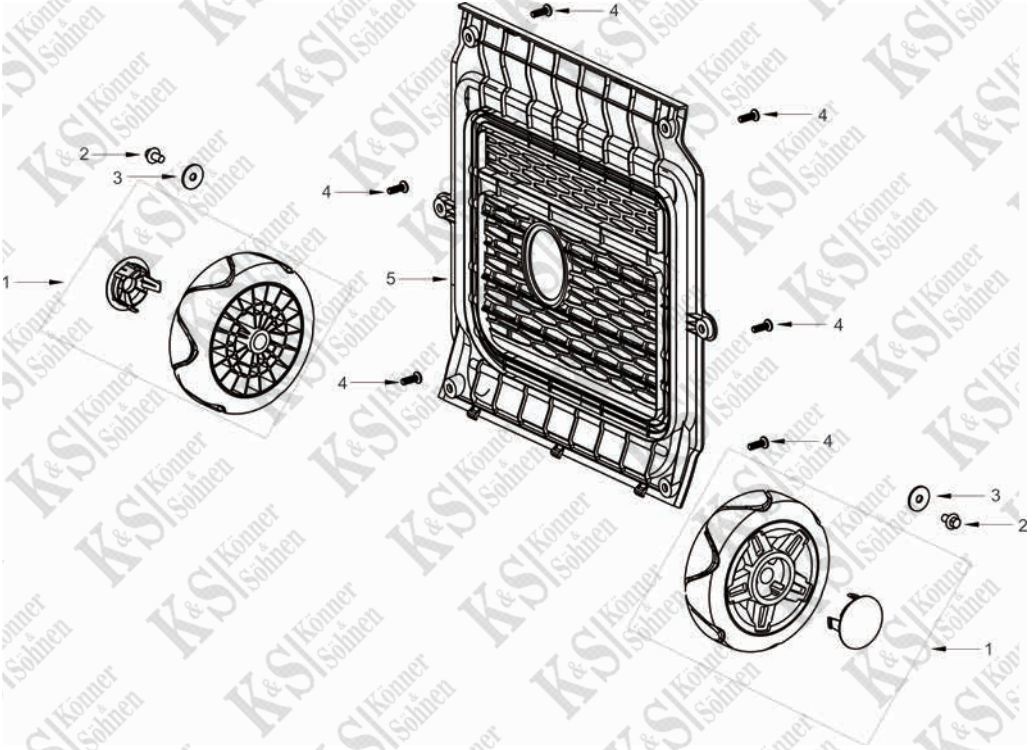
No	REF. No	DESCRIPTION	QTY
15	KS 5500iE S ATSR -12-15	Floor	1
16	KS 5500iE S ATSR-12-16	Clip nut	4
17	KS 5500iE S ATSR-12-17	Left bracket 2	1
18	KS 5500iE S ATSR-12-18	Right bracket 2	1
19	KS 5500iE S ATSR-12-19	Power fixed base plate 2	1
20	KS 5500iE S ATSR -12-20	Nut	2
21	KS 5500iE S ATSR-12-21	Frame bottom bracket	1
22	KS 5500iE S ATSR-12-22	Shock absorber seat	2
23	KS 5500iE S ATSR-12-23	Bolt	2
24	KS 5500iE S ATSR-12-24	Inverter	1
25	KS 5500iE S ATSR-12-25	Square nut	6
26	KS 5500iE S ATSR-12-26	Voltage regulating rectifier	1
27	KS 5500iE S ATSR-12-27	Bolt	1

13. PULL ROD/HOUSING



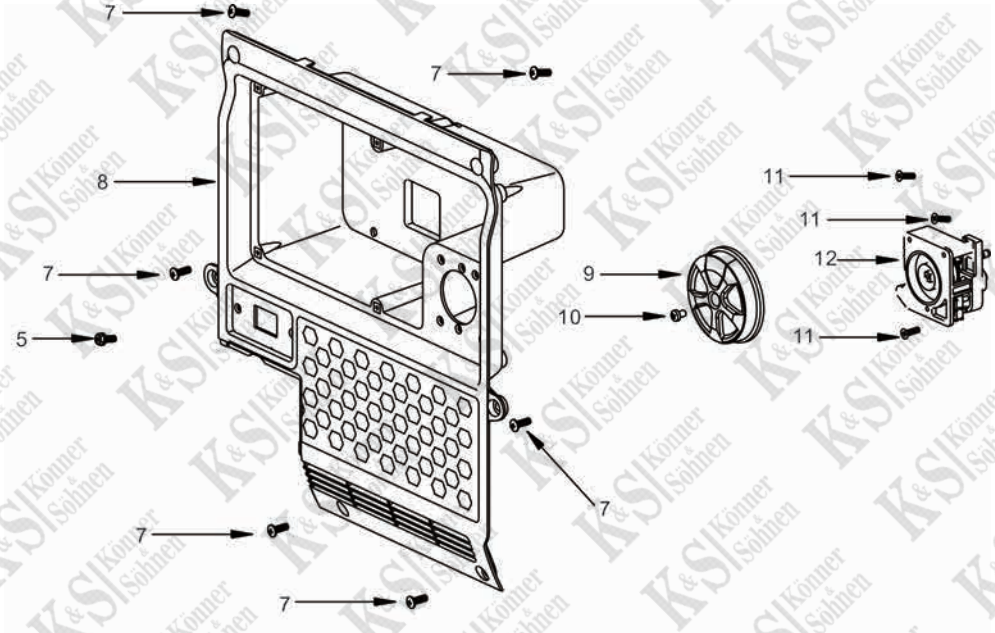
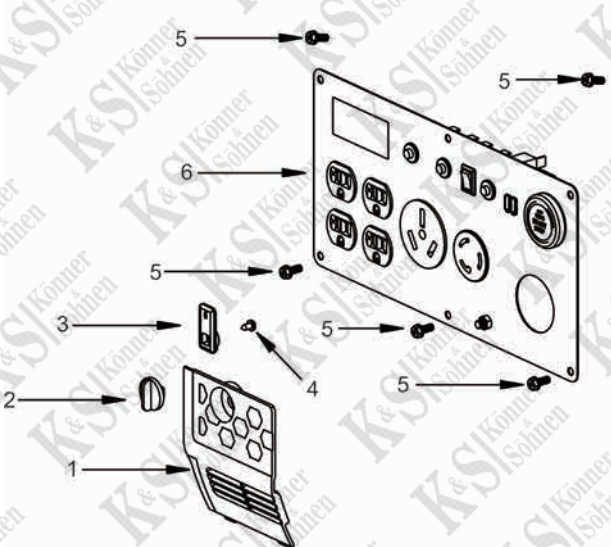
No	REF. No	DESCRIPTION	QTY
1	KS 5500iE S ATSR -13-1	Rubber sleeve of oil filling port	1
2	KS 5500iE S ATSR-13-2	Self tapping screw	8
3	KS 5500iE S ATSR-13-3	Bolt	10
4	KS 5500iE S ATSR-13-4	Handrail	1
5	KS 5500iE S ATSR-13-5	Oil level window rubber sleeve	1
6	KS 5500iE S ATSR -13-6	Oil level window glass	1
7	KS 5500iE S ATSR-13-7	Pull handle support frame	1
8	KS 5500iE S ATSR-13-8	Self tapping screw	2
9	KS 5500iE S ATSR-13-9	Upper shell	1
10	KS 5500iE S ATSR-13-10	Pull handle assembly	1

14. TAIL COVER



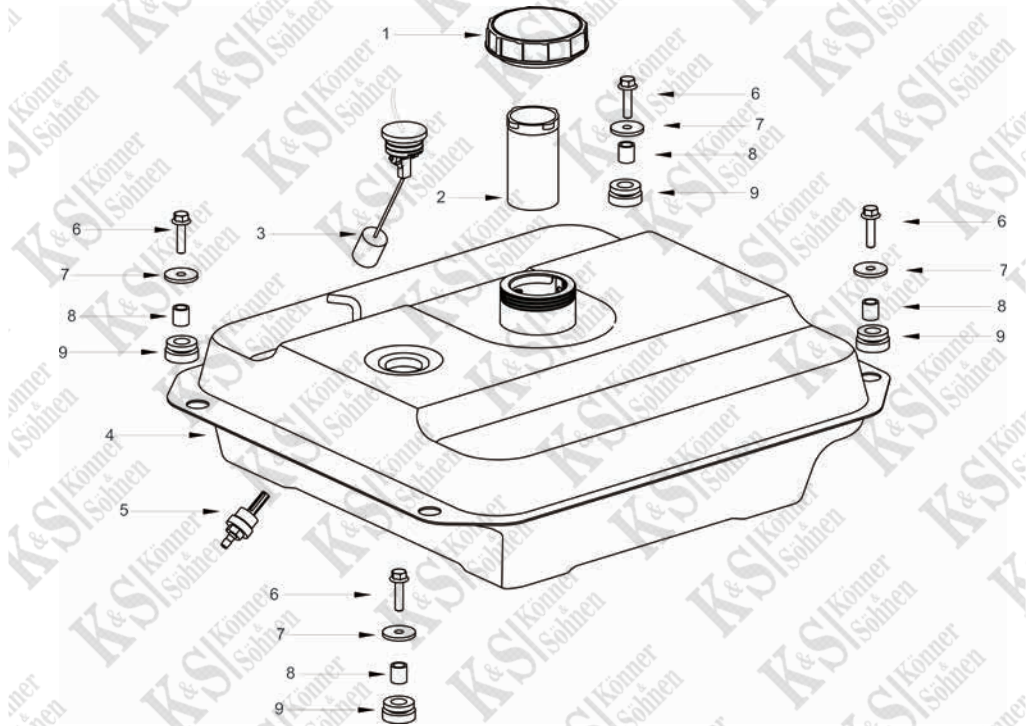
No	REF. No	DESCRIPTION	QTY
1	KS 5500iE S ATSR -14-1	Front wheel	2
2	KS 5500iE S ATSR-14-2	Bolt	2
3	KS 5500iE S ATSR-14-3	Non standard flat pad	2
4	KS 5500iE S ATSR-14-4	Cross large pan head screw	6
5	KS 5500iE S ATSR-14-5	Muffler side cover	1

15. PANEL



No	REF. No	DESCRIPTION	QTY
1	KS 5500iE S ATSR -15-1	Battery door	1
2	KS 5500iE S ATSR-15-2	Knob	1
3	KS 5500iE S ATSR-15-3	Stop block	1
4	KS 5500iE S ATSR-15-4	Self tapping screw	1
5	KS 5500iE S ATSR-15-5	Cross pan head screw	6
6	KS 5500iE S ATSR -15-6	Control panel combination KS5500iE S ATSR	1
6	KS 5500iE S ATSR-15-6	Control panel combination KS5500iEG S	1
7	KS 5500iE S ATSR-15-7	Cross large pan head screw	6
8	KS 5500iE S ATSR-15-8	Panel seat	1
9	KS 5500iE S ATSR-15-9	Three in one switch handle	1
10	KS 5500iE S ATSR-15-10	Cross pan head screw	1
11	KS 5500iE S ATSR-15-11	Self tapping screw	3
12	KS 5500iE S ATSR-15-12	Three in one switch	1

16. FUEL TANK COMPONENTS



No	REF. No	DESCRIPTION	QTY
1	KS 5500iE S ATSR -16-1	Fuel tank cap	1
2	KS 5500iE S ATSR-16-2	Fuel filter screen	1
3	KS 5500iE S ATSR-16-3	Circular electronic oil mark	1
4	KS 5500iE S ATSR-16-4	Tank	1
5	KS 5500iE S ATSR-16-5	Fuel tank outlet nozzle	1
6	KS 5500iE S ATSR-16-6	Bolt	4
7	KS 5500iE S ATSR-16-7	Non standard flat pad	4
8	KS 5500iE S ATSR-16-8	Tank bushing	4
9	KS 5500iE S ATSR-16-9	Oil tank mounting rubber sleeve	4

CONTACTS

Germany

ks-power.de

info@

dimaxgroup.de

Ukraine

ks-power.com.ua

sales@ks-power.

com.ua

Poland

ks-power.pl

info.pl@

dimaxgroup.de

Russia

ks-power.ru

info@ks-power.ru

TRADITIONELLE DEUTSCHE QUALITÄT