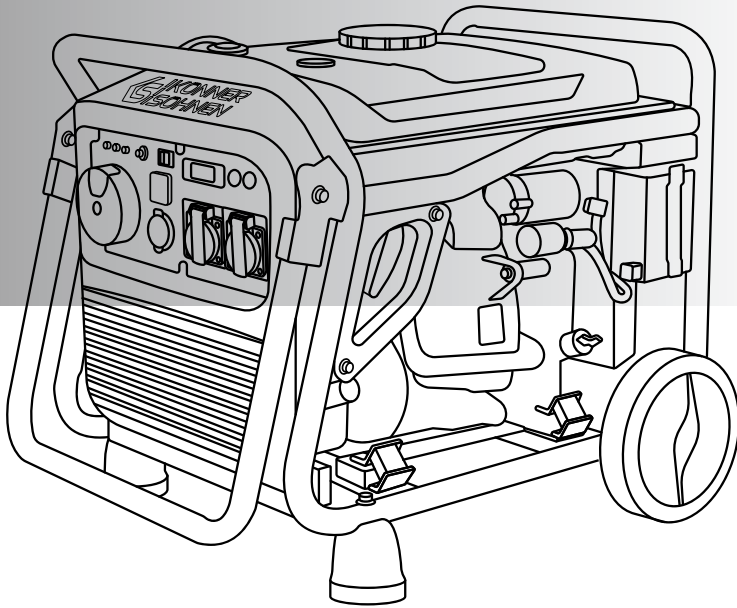


## INVERTER GENERATOR EXPLODED VIEW

KS 8100iE

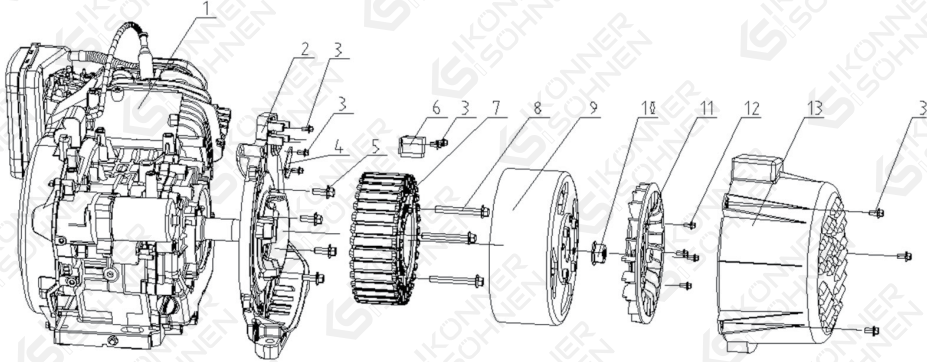


TRADITIONELLE DEUTSCHE QUALITÄT

# CONTENTS

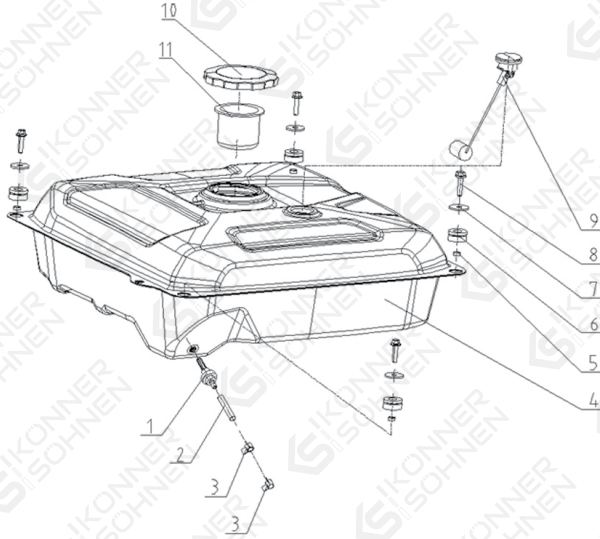
|                                    |    |
|------------------------------------|----|
| 1.Parts of engine.....             | 2  |
| 2.Parts of fuel tank.....          | 3  |
| 3.Parts of muffler.....            | 4  |
| 4.Parts of battery.....            | 5  |
| 5.Parts of transportation kit..... | 6  |
| 6.Parts of cover shell.....        | 7  |
| 7.Parts of inverter.....           | 8  |
| 8.Parts of panel.....              | 9  |
| 9. Electrical diagrams.....        | 11 |

# 1. PARTS OF ENGINE



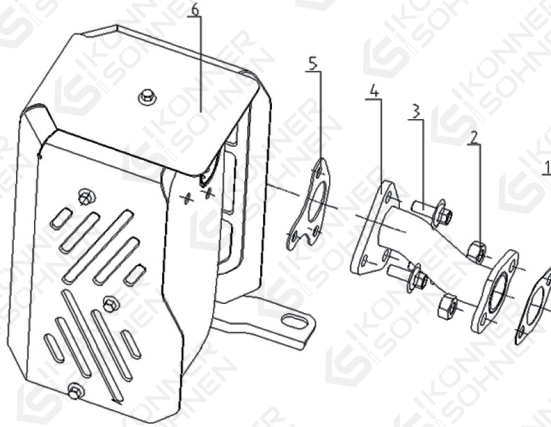
| No | REF. No        | DESCRIPTION                    | QTY |
|----|----------------|--------------------------------|-----|
| 1  | KS 8100iE-1-1  | Engine                         | 1   |
| 2  | KS 8100iE-1-2  | Motor front cover              | 1   |
| 3  | KS 8100iE-1-3  | Hexagon flange bolt-M5 × 10    | 8   |
| 4  | KS 8100iE-1-4  | Crimping block                 | 1   |
| 5  | KS 8100iE-1-5  | Hexagon flange bolt-M8×1.25×20 | 4   |
| 6  | KS 8100iE-1-6  | Trigger assy                   | 1   |
| 7  | KS 8100iE-1-7  | Magneto stator assy            | 1   |
| 8  | KS 8100iE-1-8  | Hexagon flange bolt-M8×1.25×65 | 3   |
| 9  | KS 8100iE-1-9  | Magneto rotor assy             | 1   |
| 10 | KS 8100iE-1-10 | Flywheel nut                   | 1   |
| 11 | KS 8100iE-1-11 | Impeller                       | 1   |
| 12 | KS 8100iE-1-12 | Hexagon flange bolt-M6×1×20    | 4   |
| 13 | KS 8100iE-1-13 | Motor tail cover               | 1   |

## 2. PARTS OF FUEL TANK



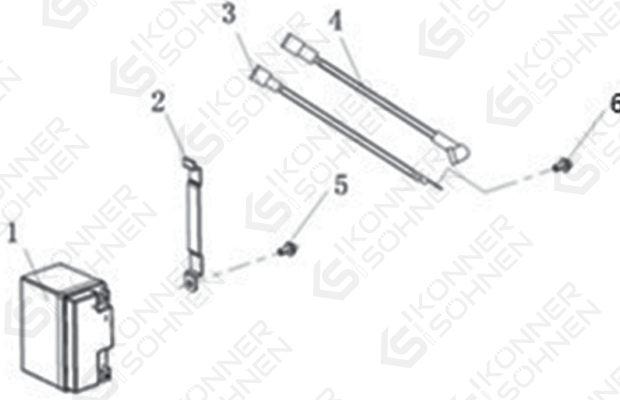
| No | REF. No        | DESCRIPTION                                      | QTY |
|----|----------------|--|-----|
| 1  | KS 8100iE-2-1  | Oil outlet nozzle                                | 1   |
| 2  | KS 8100iE-2-2  | Oil tube   | 1   |
| 3  | KS 8100iE-2-3  | Collar   | 2   |
| 4  | KS 8100iE-2-4  | Tank assy  | 1   |
| 5  | KS 8100iE-2-5  | Busher $\Phi 9 \times \Phi 12 \times 12.5$       | 4   |
| 6  | KS 8100iE-2-6  | Oil tank damping rubber pad                      | 4   |
| 7  | KS 8100iE-2-7  | Oil tank gasket $\Phi 6 \times \Phi 25 \times 2$ | 4   |
| 8  | KS 8100iE-2-8  | Hexagon flange bolt M6 $\times$ 1 $\times$ 25    | 4   |
| 9  | KS 8100iE-2-9  | Oil gauge  | 1   |
| 10 | KS 8100iE-2-10 | Tank cap   | 1   |
| 11 | KS 8100iE-2-11 | Fuel filter                                      | 1   |

### 3. PARTS OF MUFFLER



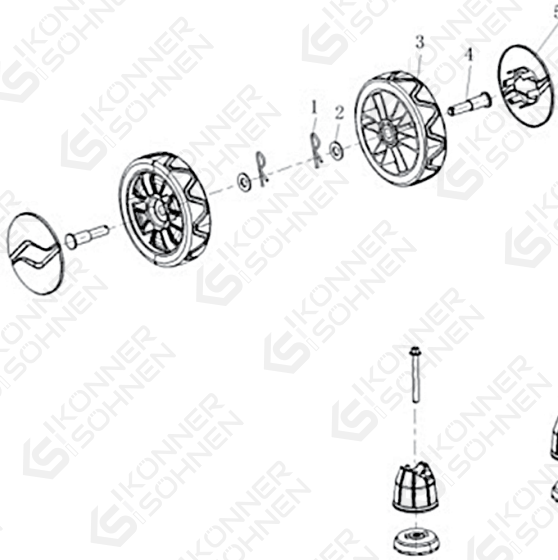
| No | REF. No       | DESCRIPTION                       | QTY |
|----|---------------|-----------------------------------|-----|
| 1  | KS 8100iE-3-1 | Exhaust gasket                    | 1   |
| 2  | KS 8100iE-3-2 | Type 1 hex nut M8×1.25            | 2   |
| 3  | KS 8100iE-3-3 | Hexagon flange bolt<br>M8×1.25×20 | 3   |
| 4  | KS 8100iE-3-4 | Exhaust pipe assy                 | 1   |
| 5  | KS 8100iE-3-5 | Muffler gasket                    | 1   |
| 6  | KS 8100iE-3-6 | Muffler assy                      | 1   |

## 4. PARTS OF BATTERY



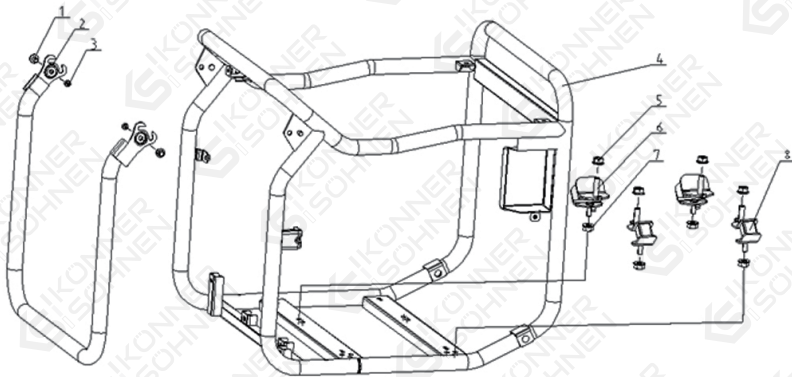
| No | REF. No       | DESCRIPTION                       | QTY |
|----|---------------|-----------------------------------|-----|
| 1  | KS 8100iE-4-1 | Battery                           | 1   |
| 2  | KS 8100iE-4-2 | Battery pressing plate            | 1   |
| 3  | KS 8100iE-4-3 | Positive wire assy                | 1   |
| 4  | KS 8100iE-4-4 | Negative wire assy                | 1   |
| 5  | KS 8100iE-4-5 | Hexagon flange bolt M6×1×12       | 1   |
| 6  | KS 8100iE-4-6 | Hexagon flange bolt-M5 × 0.8 × 12 | 1   |

## 5. PARTS OF TRANSPORTATION KIT



| No | REF. No       | DESCRIPTION  | QTY |
|----|---------------|--|-----|
| 1  | KS 8100iE-5-1 | Cotter pin   | 2   |
| 2  | KS 8100iE-5-2 | Flat gasket - grade<br>C $\Phi$ 14 x $\Phi$ 28 x 2.5 | 2   |
| 3  | KS 8100iE-5-3 | Wheel assy   | 2   |
| 4  | KS 8100iE-5-4 | Wheel shaft assy                                     | 2   |
| 5  | KS 8100iE-5-5 | Decorative board                                     | 2   |
| 6  | KS 8100iE-5-6 | Hexagon flange<br>bolt-M8X1.25X80                    | 2   |
| 7  | KS 8100iE-5-7 | Bracket of frame damping seat                        | 2   |
| 8  | KS 8100iE-5-8 | Frame damping seat assy                              | 2   |

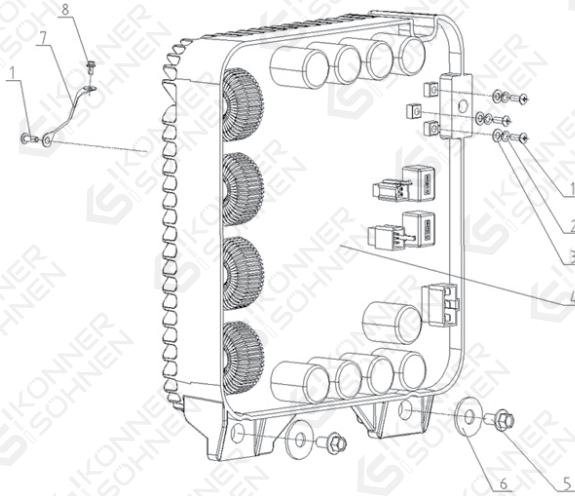
## 6. PARTS OF COVER SHELL



| No | REF. No       | DESCRIPTION                       | QTY |
|----|---------------|-----------------------------------|-----|
| 1  | KS 8100iE-6-1 | Hexagon flange bolt<br>M8×1.25×16 | 2   |
| 2  | KS 8100iE-6-2 | Handlebar assy                    | 1   |
| 3  | KS 8100iE-6-3 | Nylon hex lock nut M8             | 2   |
| 4  | KS 8100iE-6-4 | Frame assy                        | 1   |
| 5  | KS 8100iE-6-5 | Hexagon flange nut-M10 × 1.25     | 4   |
| 6  | KS 8100iE-6-6 | Left damping pad assy             | 2   |
| 7  | KS 8100iE-6-7 | Hexagon flange nut M8             | 4   |
| 8  | KS 8100iE-6-8 | Right damping pad assy            | 2   |

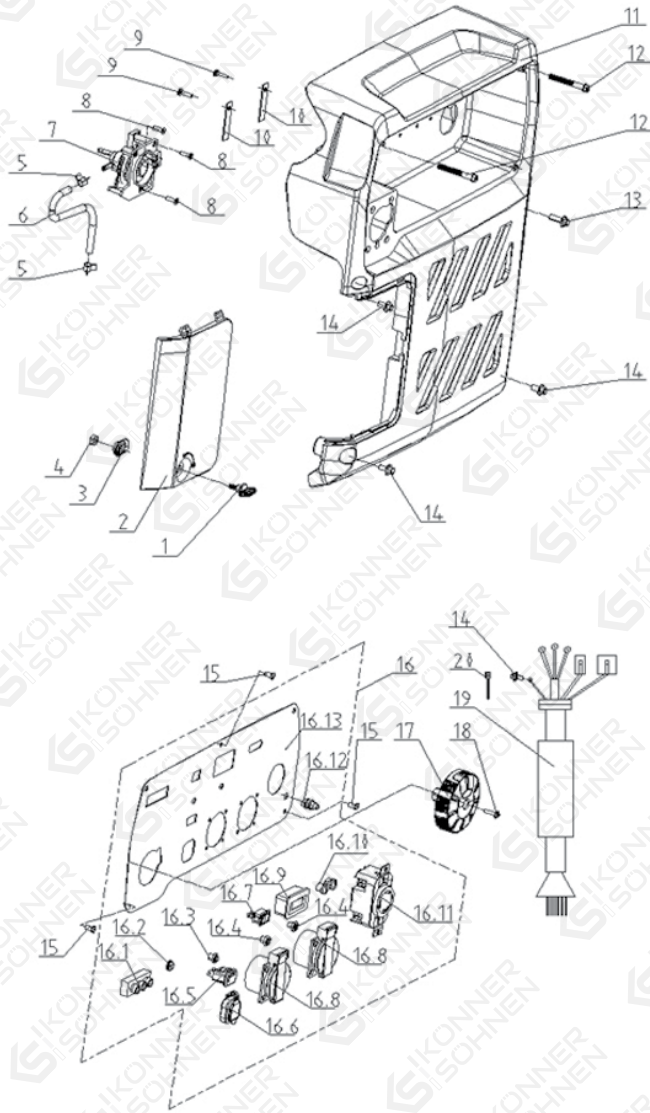


# 7. PARTS OF INVERTER



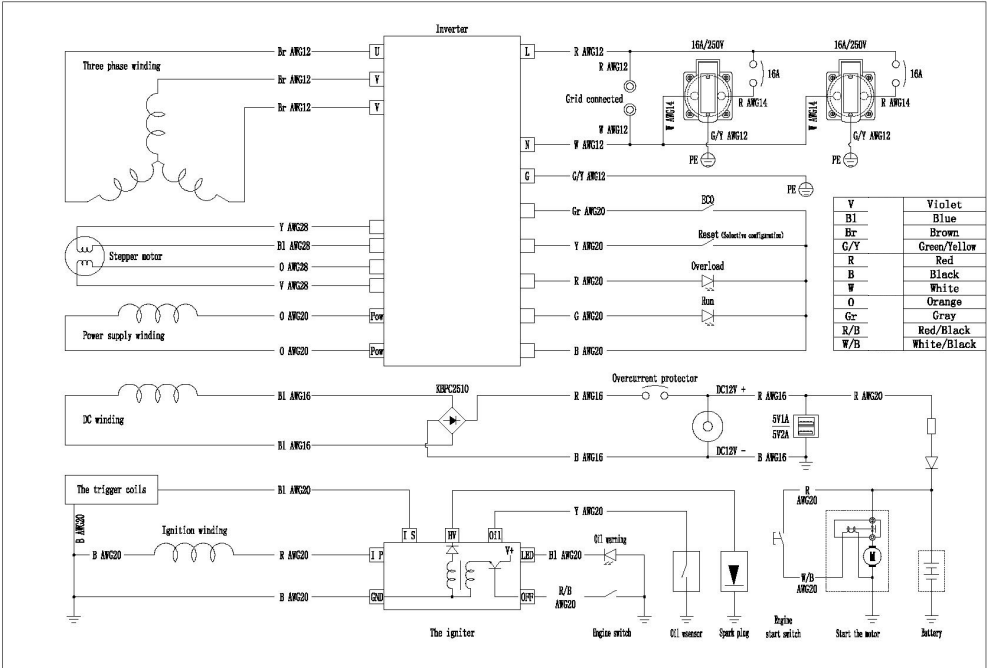
| No | REF. No       | DESCRIPTION  | QTY |
|----|---------------|--|-----|
| 1  | KS 8100iE-7-1 | Cross recessed pan head screw<br>M4 × 0.7 × 12       | 4   |
| 2  | KS 8100iE-7-2 | Spring washer $\Phi$ 4                               | 3   |
| 3  | KS 8100iE-7-3 | Flat gasket - grade C 4 × 0.8                        | 3   |
| 4  | KS 8100iE-7-4 | Inverter assy  | 1   |
| 5  | KS 8100iE-7-5 | Hexagon flange bolt - small<br>series M8 × 1.25 × 25 | 2   |
| 6  | KS 8100iE-7-6 | Flat gasket - grade<br>C $\Phi$ 8.5 × $\Phi$ 23 × 3  | 2   |
| 7  | KS 8100iE-7-7 | Connecting line                                      | 1   |
| 8  | KS 8100iE-7-8 | Hexagon flange bolt M6×1×12                          | 1   |

# 8. PARTS OF PANEL



| No | REF. No        | DESCRIPTION  | QTY |
|----|----------------|--|-----|
| 1  | KS 8100iE-8-1  | Knob assy  | 1   |
| 2  | KS 8100iE-8-2  | Maintenance door                                       | 1   |
| 3  | KS 8100iE-8-3  | Block assy   | 1   |
| 4  | KS 8100iE-8-4  | Nylon hex lock nut M5                                  | 1   |
| 5  | KS 8100iE-8-5  | Collar   | 2   |
| 6  | KS 8100iE-8-6  | Oil tube   | 1   |
| 7  | KS 8100iE-8-7  | Starting switch assy                                   | 1   |
| 8  | KS 8100iE-8-8  | Cross recessed countersunk head tapping screw 4.2 × 16 | 3   |
| 9  | KS 8100iE-8-9  | Cross recessed pan head tapping screw ST4.8 × 16       | 2   |
| 10 | KS 8100iE-8-10 | Line card  | 2   |
| 11 | KS 8100iE-8-11 | Panel base assy  | 1   |
| 12 | KS 8100iE-8-12 | Cross recessed hexagon head bolt M6×50                 | 2   |
| 13 | KS 8100iE-8-13 | Hexagon flange bolt M6×1×30                            | 1   |
| 14 | KS 8100iE-8-14 | Hexagon flange bolt M6×1×12                            | 4   |
| 15 | KS 8100iE-8-15 | Cross recessed pan head screw M5 × 0.8 × 10            | 3   |
| 16 | KS 8100iE-8-16 | Control panel assy                                     | 1   |
| 17 | KS 8100iE-8-17 | Knob assy  | 1   |
| 18 | KS 8100iE-8-18 | Cross recessed pan head screw M4×0.7×16                | 1   |
| 19 | KS 8100iE-8-19 | Corrugated pipe  | 1   |
| 20 | KS 8100iE-8-20 | Ties   | 8   |

# 9. ELECTRICAL DIAGRAMS



## **CONTACTS**

**Germany**

**ks-power.de**

**info@dimaxgroup.de**

**Poland**

**ks-power.pl**

**info.pl@dimaxgroup.de**

**Ukraine**

**ks-power.com.ua**

**sales@ks-power.com.ua**