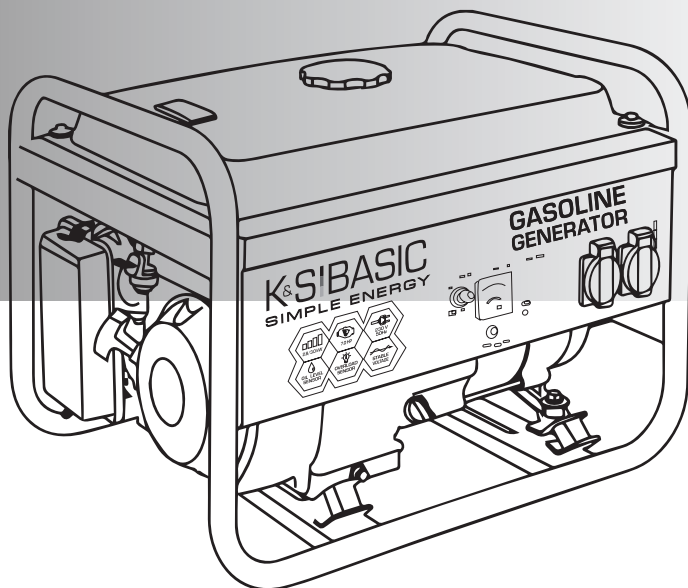


GASOLINE GENERATOR EXPLODED VIEW

KSB 6500C, KSB 6500CE

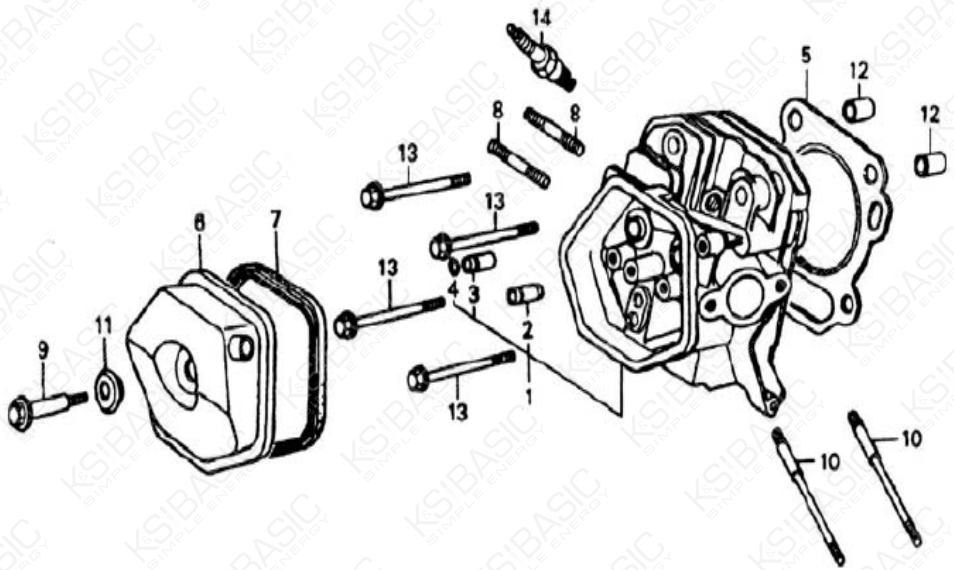


SIMPLE ENERGY

CONTENTS

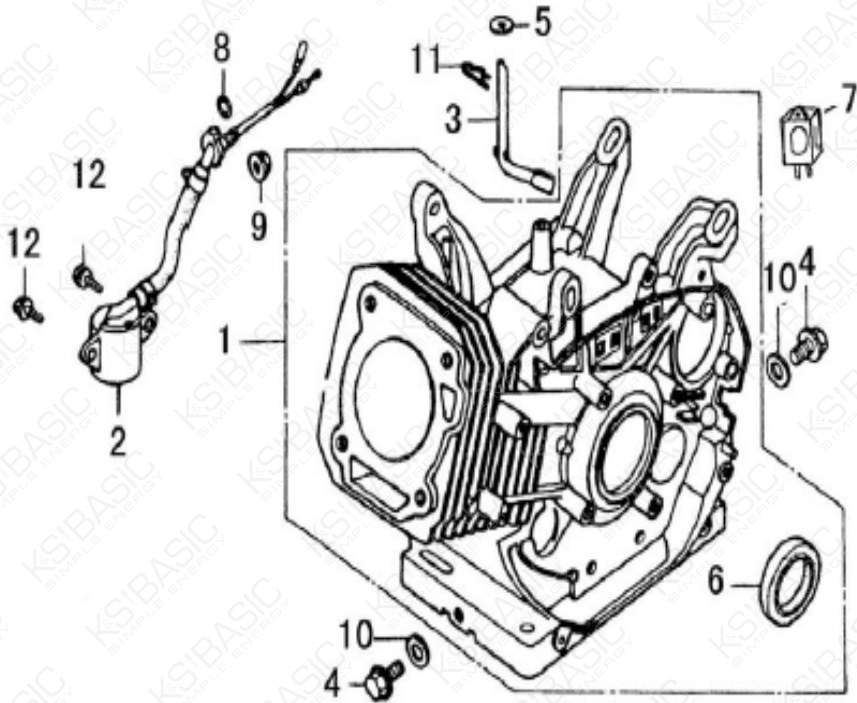
1. Cylinder head.....	2
2. Crankcase assy.....	4
3. Crankcase cover.....	6
4. Crankshaft piston.....	8
5. Camshaft.....	10
6. Recoil starter.....	12
7. Flywheelcover.....	14
8. Carburetor.....	15
9. Air cleaner.....	17
10. Flywheel.....	19
11. Governor.....	21
12. Muffler.....	23
13. Fuel tank frame.....	25
14. Starting motor.....	28
15. Generator.....	31
16. Control panel.....	34

1. CYLINDER HEAD



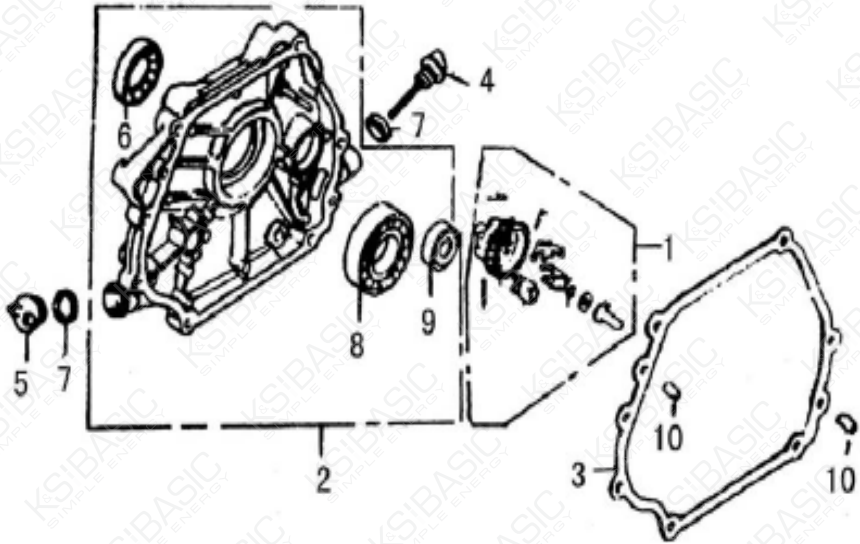
No	REF. No	DESCRIPTION	QTY
1	KSB 6500C-1-1	Cylinder Head	1
2	KSB 6500C-1-2	In valve guide	1
3	KSB 6500C-1-3	Ex valve guide	1
4	KSB 6500C-1-4	Valve guide clip	1
5	KSB 6500C-1-5	Cylinder head gasket	1
6	KSB 6500C-1-6	Head Cover,	1
7	KSB 6500C-1-7	Head Cover gasket	1
8	KSB 6500C-1-8	Bolt M8×48	2
9	KSB 6500C-1-9	Head Cover bolt	1
10	KSB 6500C-1-10	Bolt M8×130	2
11	KSB 6500C-1-11	Head Cover washer	1
12	KSB 6500C-1-12	Dowel pin	2
13	KSB 6500C-1-13	Bolt M10×80	4
14	KSB 6500C-1-14	Spark Plug	1

2. CRANKCASE ASSY



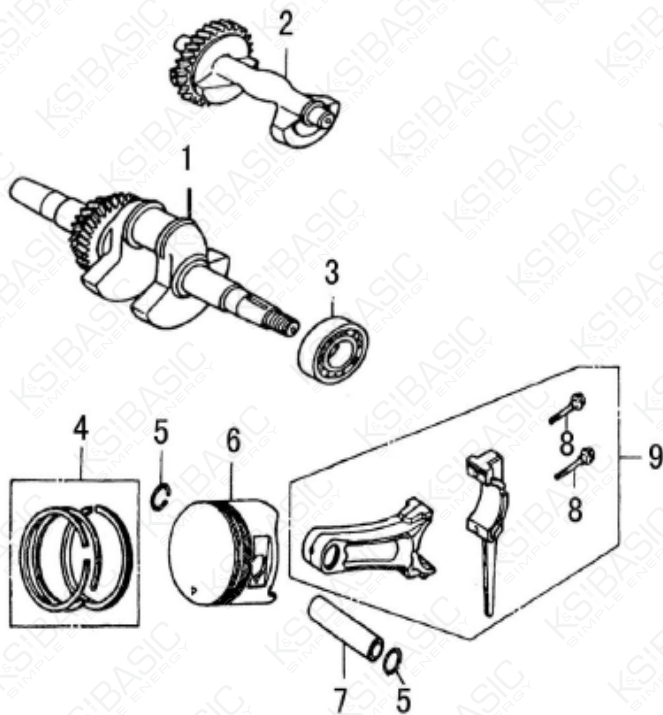
No	REF. No	DESCRIPTION	QTY
1	KSB 6500C-2-1	Crankcase assy	1
	KSB 6500C-2	Crankcase assy	1
2	KSB 6500C-2-2	Oil sensor	1
3	KSB 6500C-2-3	Governor shaft	1
4	KSB 6500C-2-4	Drain bolt	2
5	KSB 6500C-2-5	Washer	1
6	KSB 6500C-2-6	Oil seal	1
7	KSB 6500C-2-7	Oil warning unit	1
8	KSB 6500C-2-8	O ring	1
9	KSB 6500C-2-9	Nut M10	1
10	KSB 6500C-2-10	Washer	2
11	KSB 6500C-2-11	Lock pin	1
12	KSB 6500C-2-12	Bolt M6×12	2

3. CRANKCASE COVER



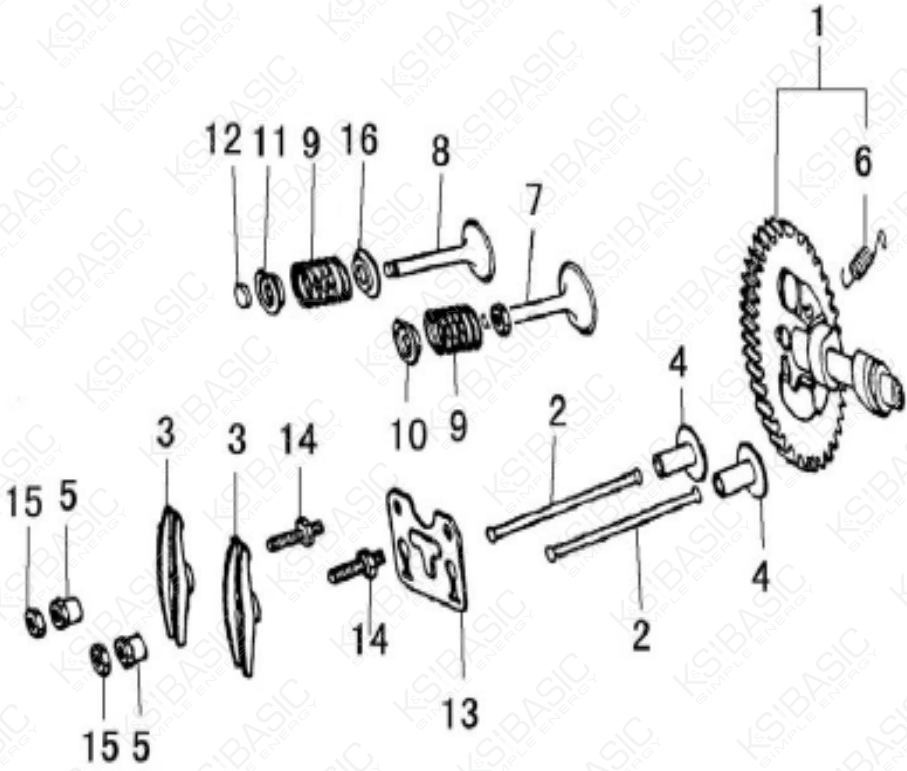
No	REF. No	DESCRIPTION	QTY
1	KSB 6500C-3-1	Governor kit	1
2	KSB 6500C-3-2	Crankcase cover assy	1
3	KSB 6500C-3-3	Case cover gasket	1
4	KSB 6500C-3-4	Oil level cap assy.	1
5	KSB 6500C-3-5	Oil cap	1
6	KSB 6500C-3-6	Oil seal	1
7	KSB 6500C-3-7	O ring	2
8	KSB 6500C-3-8	Bear (6207)	1
9	KSB 6500C-3-9	Bear (6202)	1
10	KSB 6500C-3-10	Dowel pin	2

4. CRANKSHAFT PISTON



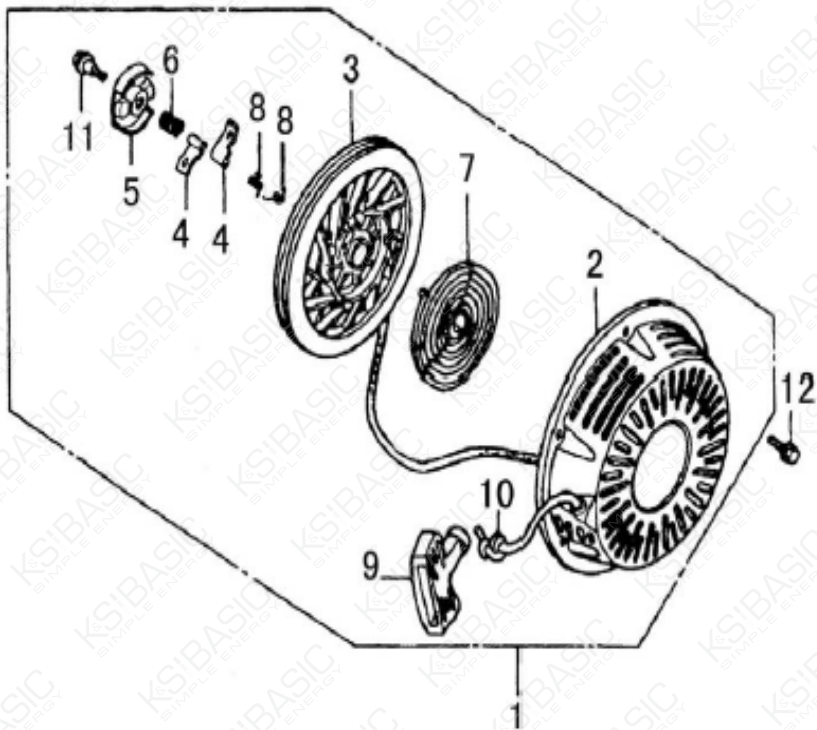
No	REF. No	DESCRIPTION	QTY
1	KSB 6500C-4-1	Crankshaft assy(G-Type-Y)	1
2	KSB 6500C-4-2	Balancer weight	1
3	KSB 6500C-4-3	Bearing (6207)	1
4	KSB 6500C-4-4	Piston ring	1
5	KSB 6500C-4-5	Piston pin clip	2
6	KSB 6500C-4-6	Piston	1
7	KSB 6500C-4-7	Piston pin	1
8	KSB 6500C-4-8	Connecting rod bolt	2
9	KSB 6500C-4-9	Connecting rod	1

5. CAMSHAFT



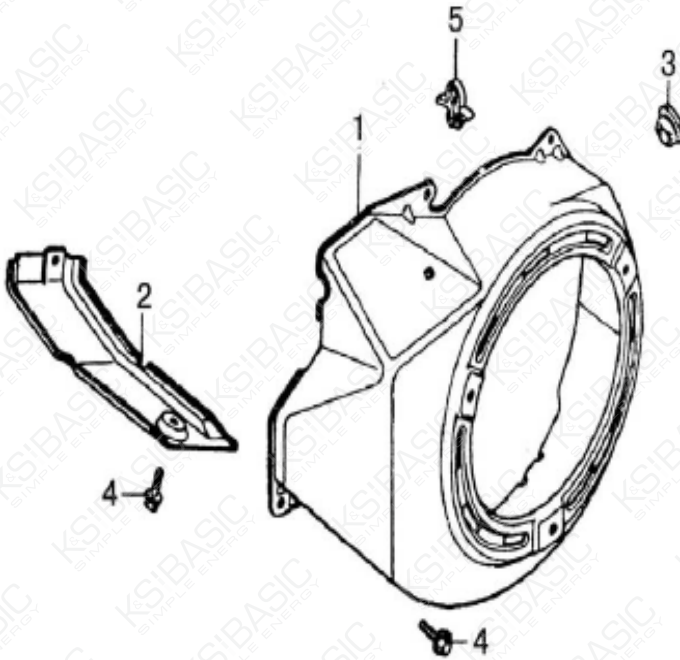
No	REF. No	DESCRIPTION	QTY
1	KSB 6500C-5-1	Camshaft assy	1
2	KSB 6500C-5-2	Push rod	2
3	KSB 6500C-5-3	Valve rocker	2
4	KSB 6500C-5-4	Valve lifter	2
5	KSB 6500C-5-5	Rocker pivot	2
6	KSB 6500C-5-6	Weight return spring	1
7	KSB 6500C-5-7	Intake valve	1
8	KSB 6500C-5-8	Exhaust valve	1
9	KSB 6500C-5-9	Valve spring	2
10	KSB 6500C-5-10	Intake valve spring seat	1
11	KSB 6500C-5-11	Exhaust valve spring retainer	1
12	KSB 6500C-5-12	Valve rotator	1
13	KSB 6500C-5-13	Rocker seat	1
14	KSB 6500C-5-14	Adjusters screw	2
15	KSB 6500C-5-15	Adjusting nut	2
16	KSB 6500C-5-16	Exhaust valve spring seat	1

6. RECOIL STARTER



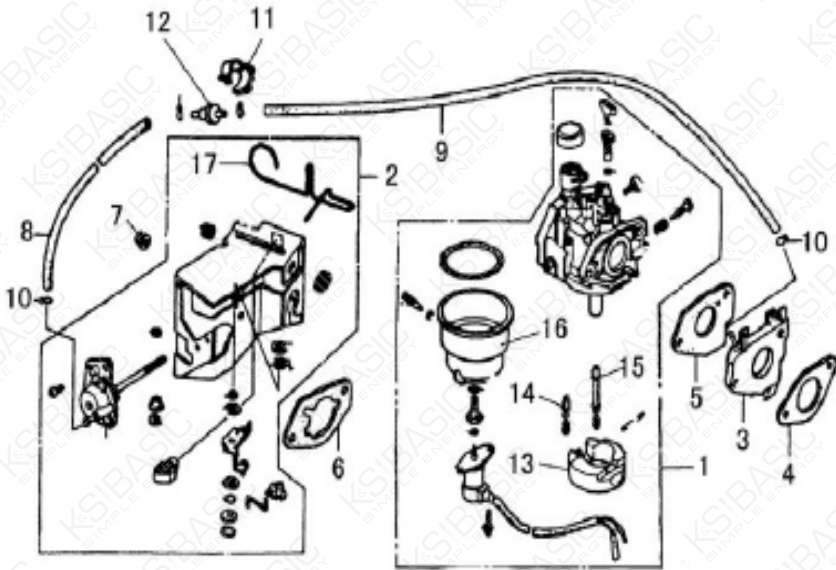
No	REF. No	DESCRIPTION	QTY
1	KSB 6500C-6-1	Recoil starter	1
2	KSB 6500C-6-2	Recoil starter case	1
3	KSB 6500C-6-3	Drum sheave	1
4	KSB 6500C-6-4	Drive pawls	2
5	KSB 6500C-6-5	Drive pawls guide	1
6	KSB 6500C-6-6	Spring	1
7	KSB 6500C-6-7	Starter spring	1
8	KSB 6500C-6-8	Return spring	2
9	KSB 6500C-6-9	Handle	1
10	KSB 6500C-6-10	Recoil starter rope	1
11	KSB 6500C-6-11	Screw	1
12	KSB 6500C-6-12	Flange bolt M6×8	3

7. FLYWHEELCOVER



No	REF. No	DESCRIPTION	QTY
1	KSB 6500C-7-1	Flywheel cover	1
2	KSB 6500C-7-2	Air shroud	1
3	KSB 6500C-7-3	Drain hole grommet	1
4	KSB 6500C-7-4	Bolt M6×12	6
5	KSB 6500C-7-5	Wire clip	1

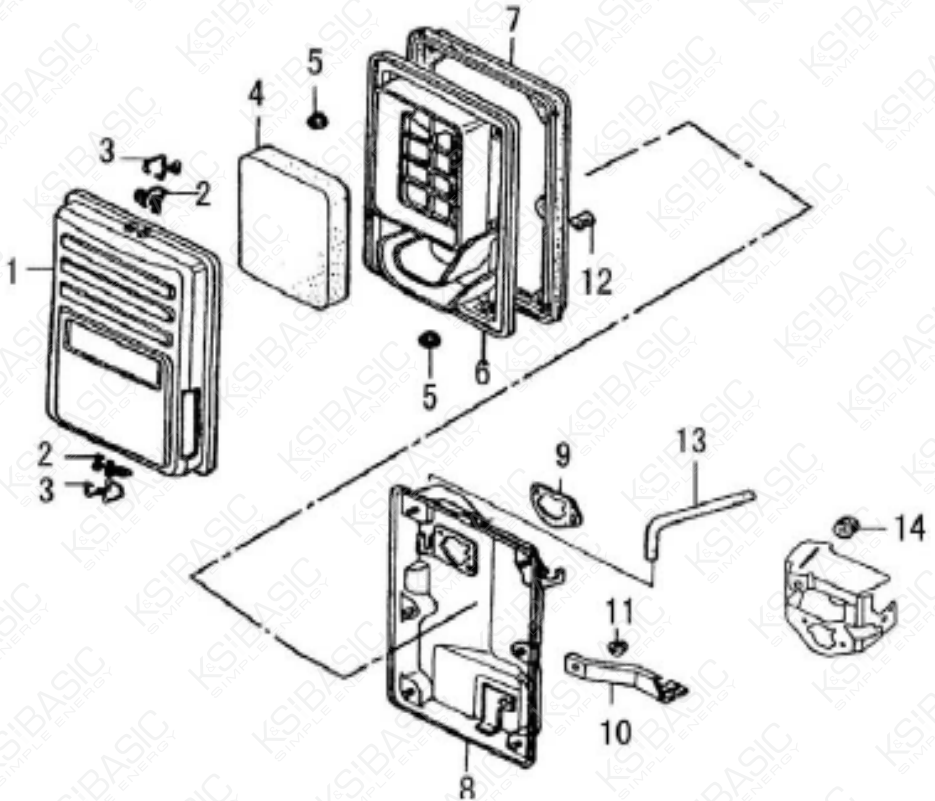
8. CARBURETOR



No	REF. No	DESCRIPTION	QTY
1	KSB 6500C-8-1	Carburetor	1
2	KSB 6500C-8-2	Manual choke assy	1
3	KSB 6500C-8-3	Carburetor insulator	1
4	KSB 6500C-8-4	Carburetor packing A	1
5	KSB 6500C-8-5	Carburetor packing B	1

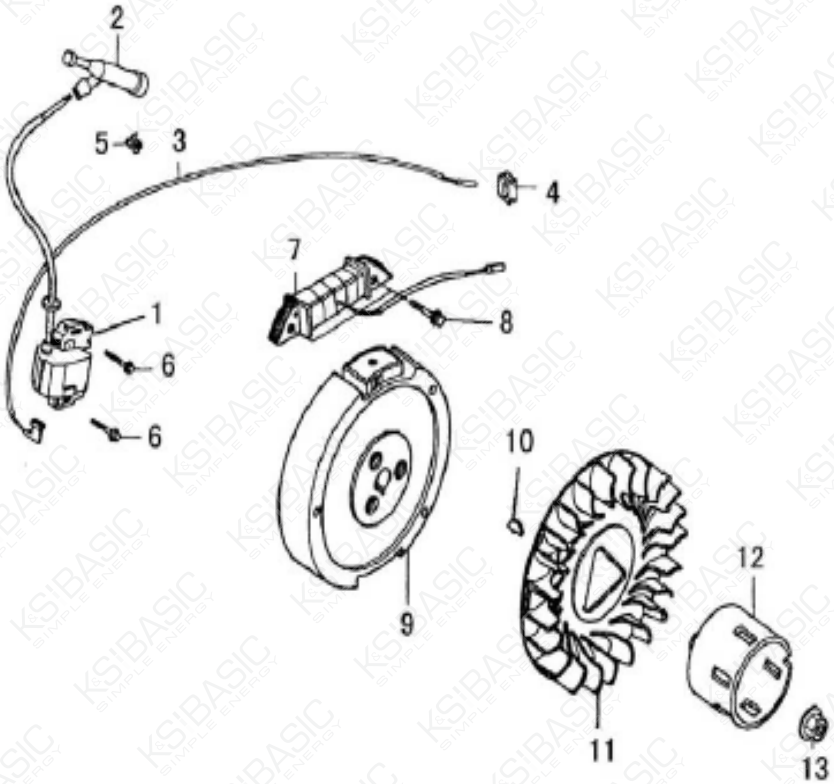
No	REF. No	DESCRIPTION	QTY
6	KSB 6500C-8-6	Air cleaner packing	2
7	KSB 6500C-8-7	Nut M5	2
8	KSB 6500C-8-8	Tube	1
9	KSB 6500C-8-9	Tube	1
10	KSB 6500C-8-10	Clip	4
11	KSB 6500C-8-11	Wire clip	1
12	KSB 6500C-8-12	Dashpot check valve	1
13	KSB 6500C-8-13	Float	1
14	KSB 6500C-8-14	Needle assembly	1
15	KSB 6500C-8-15	Main nozzle	1
16	KSB 6500C-8-16	Float chamber body	1
17	KSB 6500C-8-17	Choke lever	1

9. AIR CLEANER



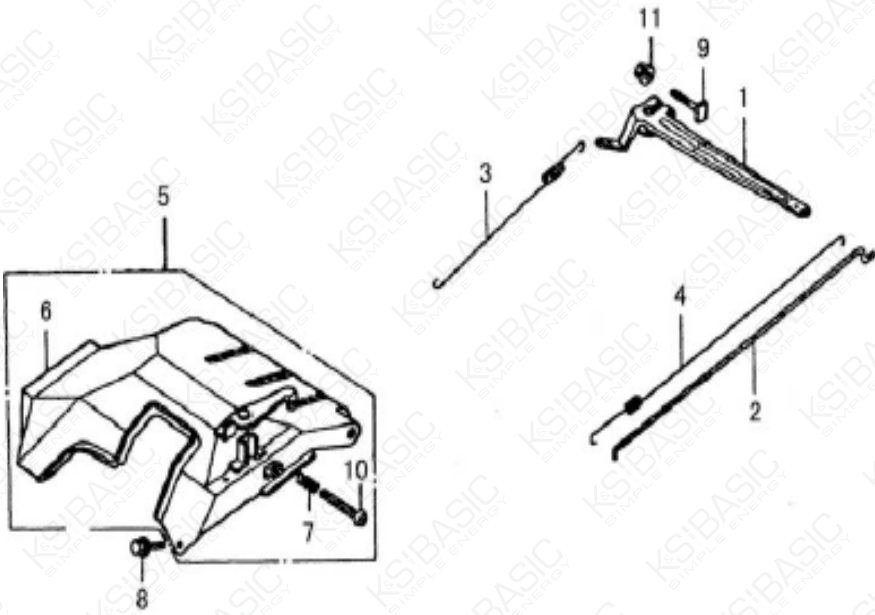
No	REF. No	DESCRIPTION	QTY
1	KSB 6500C-9-1	Air cleaner cover	2
2	KSB 6500C-9-2	Air clean clip A	2
3	KSB 6500C-9-3	Air clean clip B	2
4	KSB 6500C-9-4	Element	1
5	KSB 6500C-9-5	Nut M5	6
6	KSB 6500C-9-6	Air cleaner separator	1
7	KSB 6500C-9-7	Air cleaner seal	1
8	KSB 6500C-9-8	Air cleaner case	1
9	KSB 6500C-9-9	Gasket	1
10	KSB 6500C-9-10	Air cleaner holder	1
11	KSB 6500C-9-11	Bolt M6	1
12	KSB 6500C-9-12	Filter drain tube	1
13	KSB 6500C-9-13	Recoil pipe	1
14	KSB 6500C-9-14	Grommet	1

10. FLYWHEEL



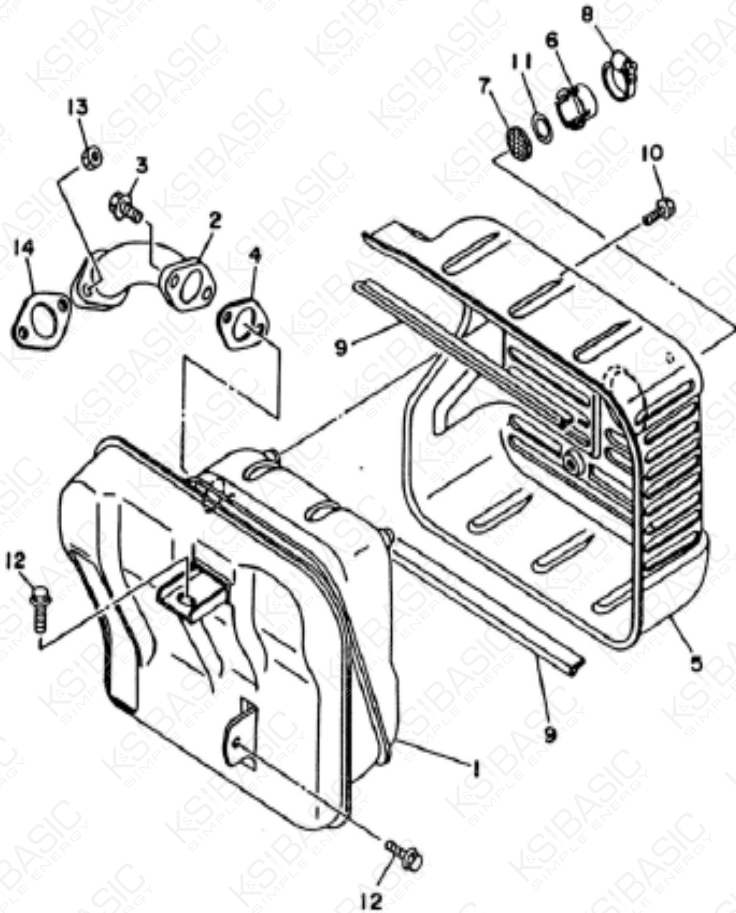
No	REF. No	DESCRIPTION	QTY
1	KSB 6500C-10-1	Ignition coil assy.	1
2	KSB 6500C-10-2	Spark plug cap	1
3	KSB 6500C-10-3	Stop switch cord	1
4	KSB 6500C-10-4	Cord grommet	1
5	KSB 6500C-10-5	Stop switch holder	1
6	KSB 6500C-10-6	Bolt M6×28	2
7	KSB 6500C-10-7	Charge coil	1
8	KSB 6500C-10-8	Bolt M6×28	1
9	KSB 6500C-10-9	flywheel	1
	KSB 6500C-10	flywheel	1
10	KSB 6500C-10-10	Semicircle key	1
11	KSB 6500C-10-11	Fan	1
12	KSB 6500C-10-12	Starter pulley	1
13	KSB 6500C-10-13	Nut M16	1

11. GOVERNOR



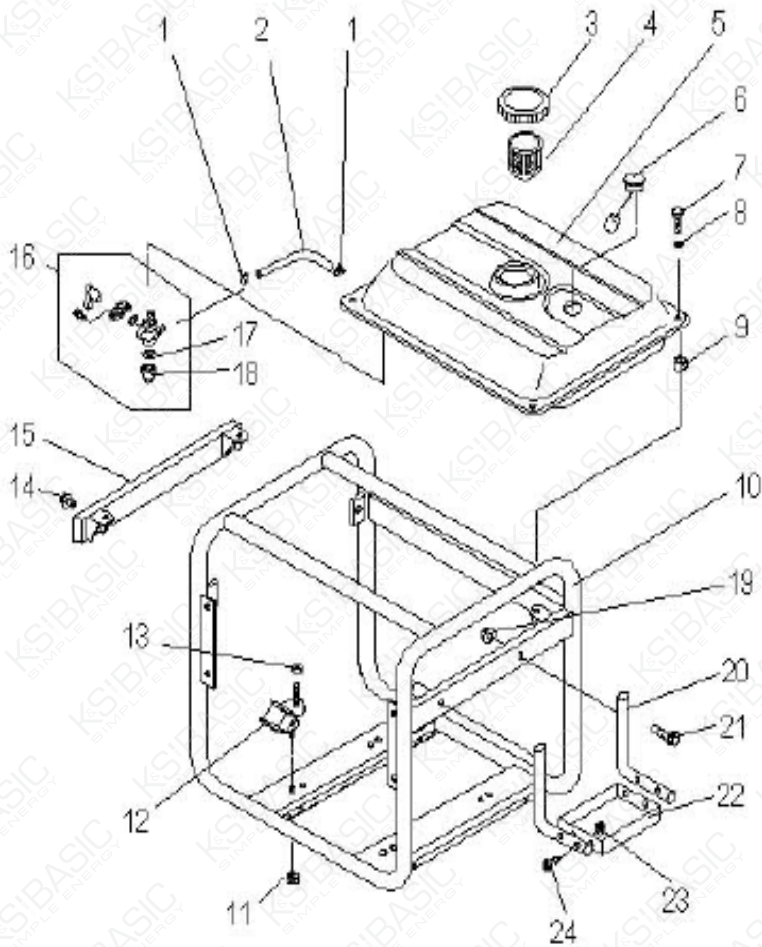
No	REF. No	DESCRIPTION	QTY
1	KSB 6500C-11-1	Governor arm	1
2	KSB 6500C-11-2	Link rod	1
3	KSB 6500C-11-3	Governor spring	1
4	KSB 6500C-11-4	Spring	1
5	KSB 6500C-11-5	Control assy	1
6	KSB 6500C-11-6	Governor	1
7	KSB 6500C-11-7	Governor adjusting spring	1
8	KSB 6500C-11-8	Bolt M6×12	3
9	KSB 6500C-11-9	Bolt M6×12	1
10	KSB 6500C-11-10	Screw M5×35	1
11	KSB 6500C-11-11	Nut M6	1

12. MUFFLER



No	REF. No	DESCRIPTION	QTY
1	KSB 6500C-12-1	Muffler	1
2	KSB 6500C-12-2	Exhaust pipe HM-5	1
3	KSB 6500C-12-3	Bolt	2
4	KSB 6500C-12-4	Exhaust pipe gasket	1
5	KSB 6500C-12-5	Protector assy	1
6	KSB 6500C-12-6	Exhaust cover	1
7	KSB 6500C-12-7	Net	1
8	KSB 6500C-12-8	Clasp	1
9	KSB 6500C-12-9	Muffler protector seal	2
10	KSB 6500C-12-10	Bolt	4
11	KSB 6500C-12-11	Washer	1
12	KSB 6500C-12-12	Bolt	2
13	KSB 6500C-12-13	Nut	2
14	KSB 6500C-12-14	Exhaust pipe gasket	1

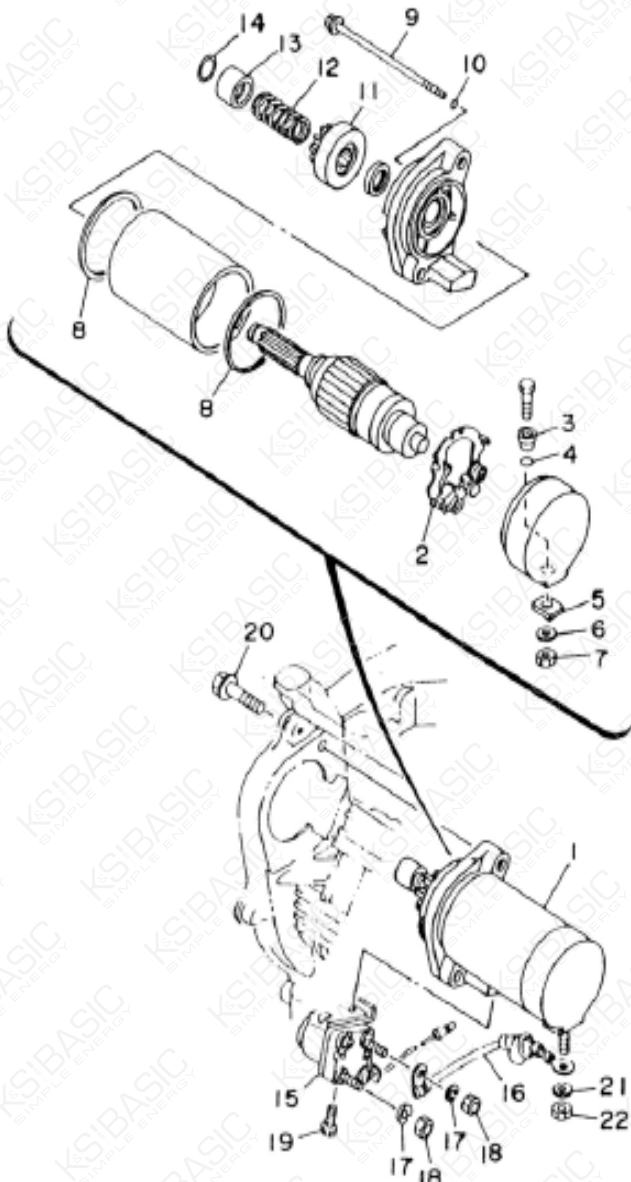
13. FUELTANK FRAME



No	REF. No	DESCRIPTION	QTY
1	KSB 6500C-13-1	Clip	2
2	KSB 6500C-13-2	Fuel hose	1
3	KSB 6500C-13-3	Fuel cap	1
4	KSB 6500C-13-4	Fuel filter	1
5	KSB 6500C-13-5	Fuel tank	1
6	KSB 6500C-13-6	Fuel level gauge	1
7	KSB 6500C-13-7	Bolt	4
8	KSB 6500C-13-8	Washer	4
9	KSB 6500C-13-9	Rubber	4
10	KSB 6500C-13-10	Frame assy	1
11	KSB 6500C-13-11	Nut	4
12	KSB 6500C-13-12	Vibration absorber	4
13	KSB 6500C-13-13	Nut	4
14	KSB 6500C-13-14	Bolt	2
15	KSB 6500C-13-15	Holder	1
16	KSB 6500C-13-16	Fuel cock	1
17	KSB 6500C-13-17	Strainer	1

No	REF. No	DESCRIPTION	QTY
18	KSB 6500C-13-18	Fuel petcock cup	1
19	KSB 6500C-13-19	Nut M6	2
20	KSB 6500C-13-20	Battery kit	2
21	KSB 6500C-13-21	Bolt M6×40	2
22	KSB 6500C-13-22	Battery stay	1
23	KSB 6500C-13-23	Nut M6	4
24	KSB 6500C-13-24	Bolt M6×35	4

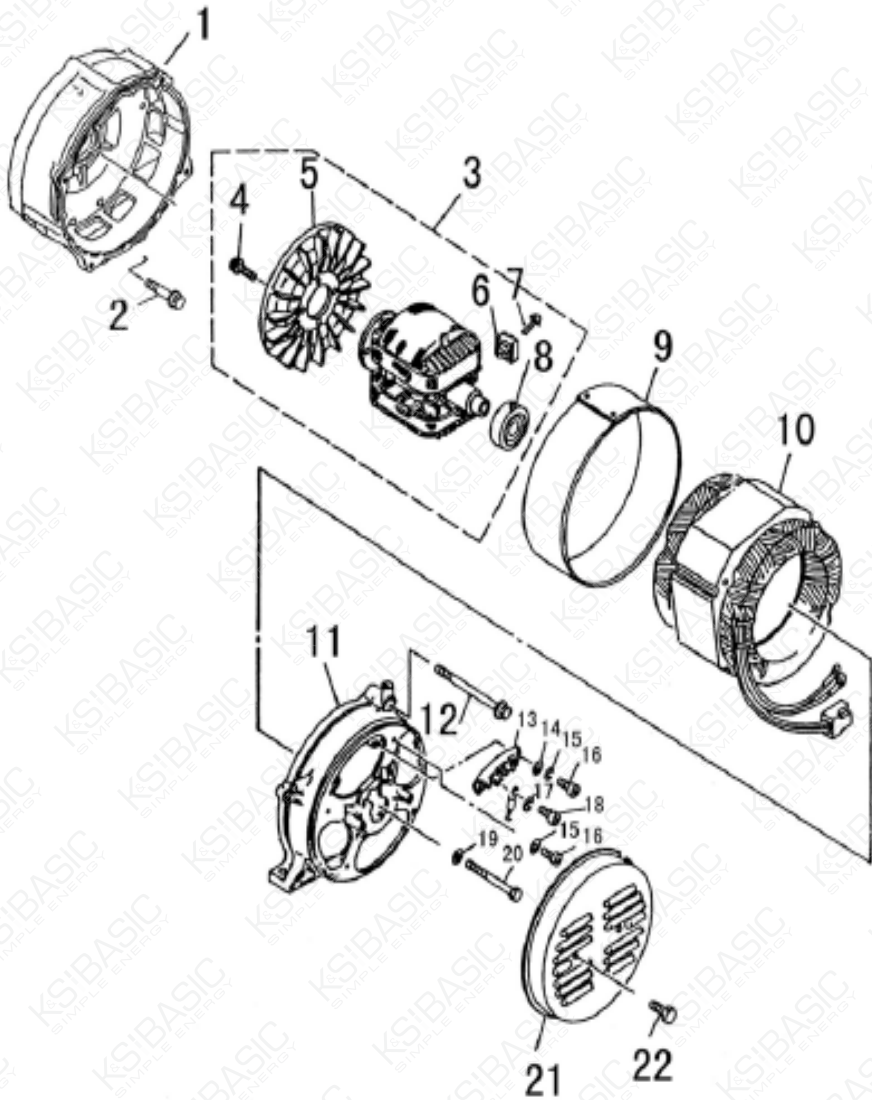
14. STARTING MOTOR



No	REF. No	DESCRIPTION	QTY
1	KSB 6500C-14-1	Starting motor assy	1
2	KSB 6500C-14-2	Brush holder assy	1
3	KSB 6500C-14-3	Terminal brush	1
4	KSB 6500C-14-4	O-ring	1
5	KSB 6500C-14-5	Washer	1
6	KSB 6500C-14-6	Washer	1
7	KSB 6500C-14-7	Nut	1
8	KSB 6500C-14-8	Gasket	2
9	KSB 6500C-14-9	Screw	1
10	KSB 6500C-14-10	O-ring	1
11	KSB 6500C-14-11	Starting motor gear	1

No	REF. No	DESCRIPTION	QTY
12	KSB 6500C-14-12	Return spring	1
13	KSB 6500C-14-13	Stopper pinion	1
14	KSB 6500C-14-14	Ring	1
15	KSB 6500C-14-15	Starter relay	1
16	KSB 6500C-14-16	Starter motor cord	1
17	KSB 6500C-14-17	Washer	2
18	KSB 6500C-14-18	Nut	2
19	KSB 6500C-14-19	Bolt	1
20	KSB 6500C-14-20	Bolt	2
21	KSB 6500C-14-21	Washer	1
22	KSB 6500C-14-22	Nut	1

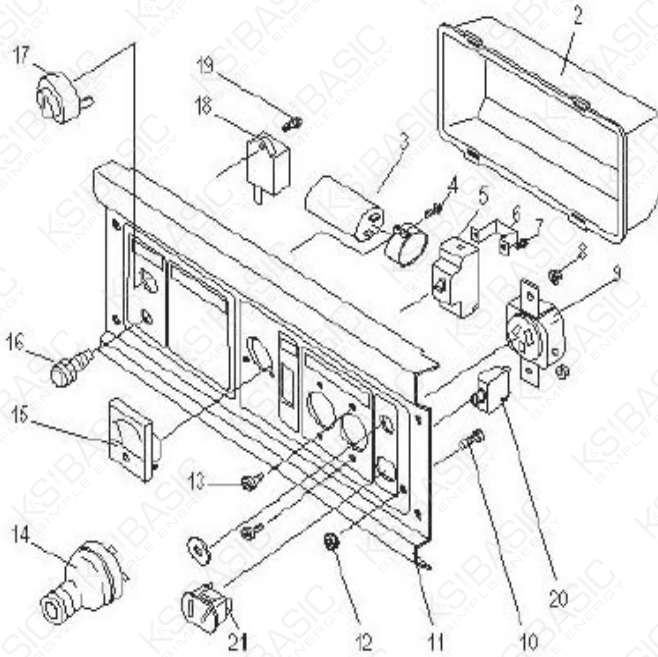
15. GENERATOR



No	REF. No	DESCRIPTION	QTY
1	KSB 6500C-15-1	Front Cover	1
2	KSB 6500C-15-2	Flange Bolt M8×30	4
3	KSB 6500C-15-3	Rotor Assy	1
4	KSB 6500C-15-4	Bolt M6×16	4
5	KSB 6500C-15-5	Fan blade	1
6	KSB 6500C-15-6	Rectifier	1
7	KSB 6500C-15-7	Bolt M5×20	1
8	KSB 6500C-15-8	Bearing 6305	1
9	KSB 6500C-15-9	Stator cover	1
	KSB 6500C-15	Stator Assy	1
10	KSB 6500C-15-10	Stator Assy	1
11	KSB 6500C-15-11	Rear Cover	1
12	KSB 6500C-15-12	Flange Bolt M8×125	4
13	KSB 6500C-15-13	Plate	1
14	KSB 6500C-15-14	Washer	2
15	KSB 6500C-15-15	Washer	2
16	KSB 6500C-15-16	Bolt M6×16	2

No	REF. No	DESCRIPTION	QTY
17	KSB 6500C-15-17	Washer (copper)	8
18	KSB 6500C-15-18	Bolt M6×16(copper)	4
19	KSB 6500C-15-19	Washer	1
20	KSB 6500C-15-20	Bolt M10×250×1.25	1
21	KSB 6500C-15-21	End Cover	1
22	KSB 6500C-15-22	Bolt M6×10	2

16. CONTROL PANEL



No	REF. No	DESCRIPTION	QTY
1	KSB 6500C-16-1		
2	KSB 6500C-16-2	Back cover	1
3	KSB 6500C-16-3		
4	KSB 6500C-16-7	Screw M5x12	1
5	KSB 6500C-16-5	AC circuit breaker	1

No	REF. No	DESCRIPTION	QTY
6	KSB 6500C-16-6	Clasp	1
7	KSB 6500C-16-7	Screw M4×10	2
8	KSB 6500C-16-8	AC socket	2
9	KSB 6500C-16-9	Nut M4	4
10	KSB 6500C-16-10	Bolt M6×20 (copper)	1
11	KSB 6500C-16-11	Control panel	1
12	KSB 6500C-16-12	Nut M6 (copper)	2
13	KSB 6500C-16-13	Screw M4×10	4
14	KSB 6500C-16-14	AC plug	2
15.1	KSB 6500CE-16-15	LED display	1
15.2	KSB 6500C-16-15	Voltmeter	1
16	KSB 6500C-16-15	Oil warning light	1
17	KSB 6500C-16-17	Engine switch	1
18	KSB 6500C-16-18	Oil warning unit	1
19	KSB 6500C-16-19	Screw M5×20	1
20	KSB 6500C-16-20	DC circuit breaker	1
21	KSB 6500C-16-21	DC socket	1

CONTACTS

Germany

ks-power.de

info@dimaxgroup.de

Poland

ks-power.pl

info.pl@dimaxgroup.de

Ukraine

ks-power.com.ua

sales@ks-power.com.ua

Russia

ks-power.ru

info@ks-power.ru