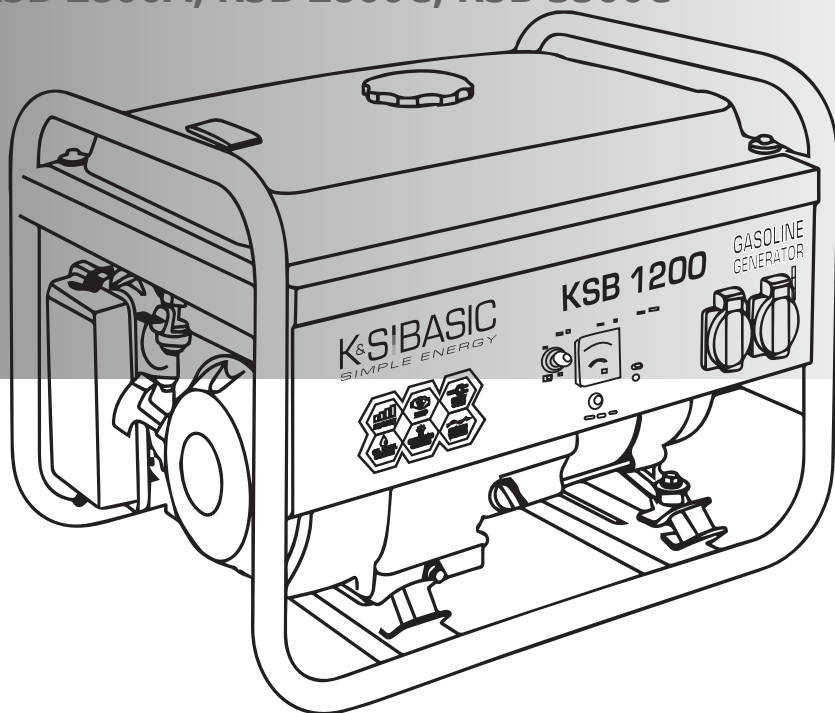


GASOLINE GENERATORS K&S BASIC

EXPLODED VIEW

KSB 1200C, KSB 2200A, KSB 2200C,
KSB 2800A, KSB 2800C, KSB 3500C

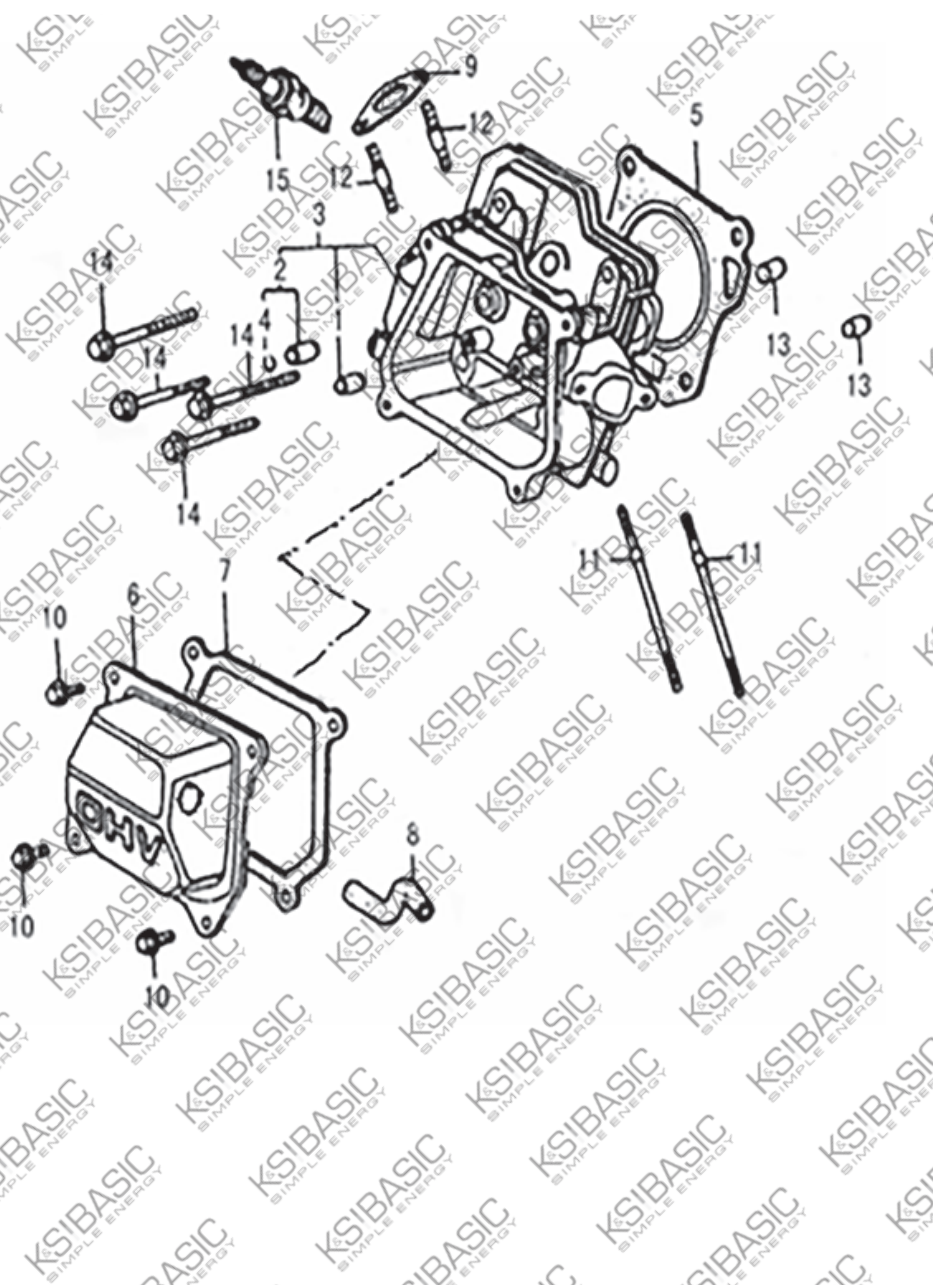


SIMPLE ENERGY

CONTENTS

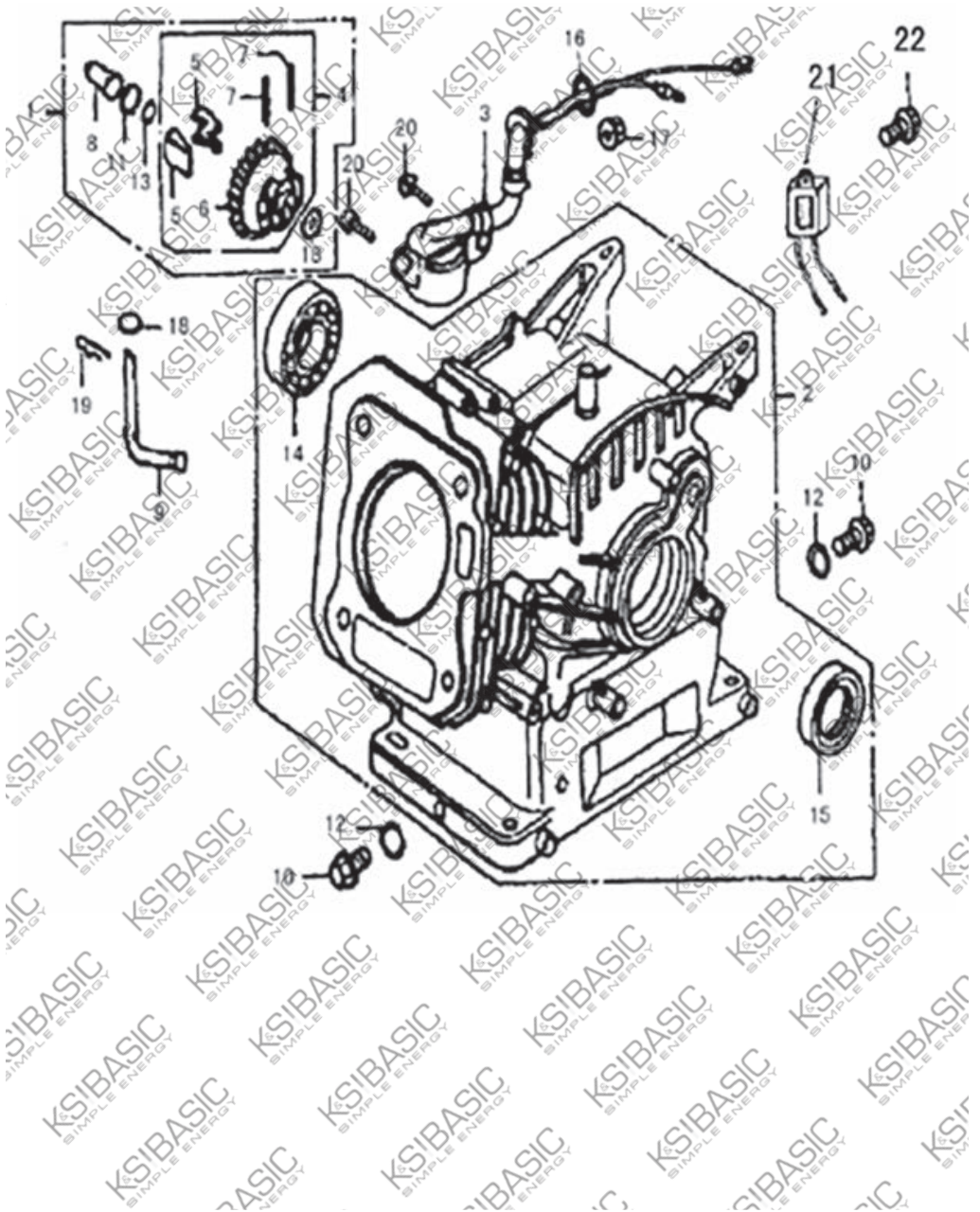
1. CYLINDER HEAD	2
2. CRANKCASE ASSY	4
3. CRANKCASE COVER	6
4. CRANKSHAFT PISTON	8
5. CAMSHAFT	10
6. RECOIL STARTER	12
7. FLYWHEELCOVE	14
8. CARBURETOR	16
9. AIR CLEANER	18
10. FLYWHEEL	20
11. GOVERNOR	22
12. MUFFLER	24
13. FUEL TANK FRAME	26
14. GENERATOR	28
15. CONTROL PANEL	30

1. CYLINDER HEAD



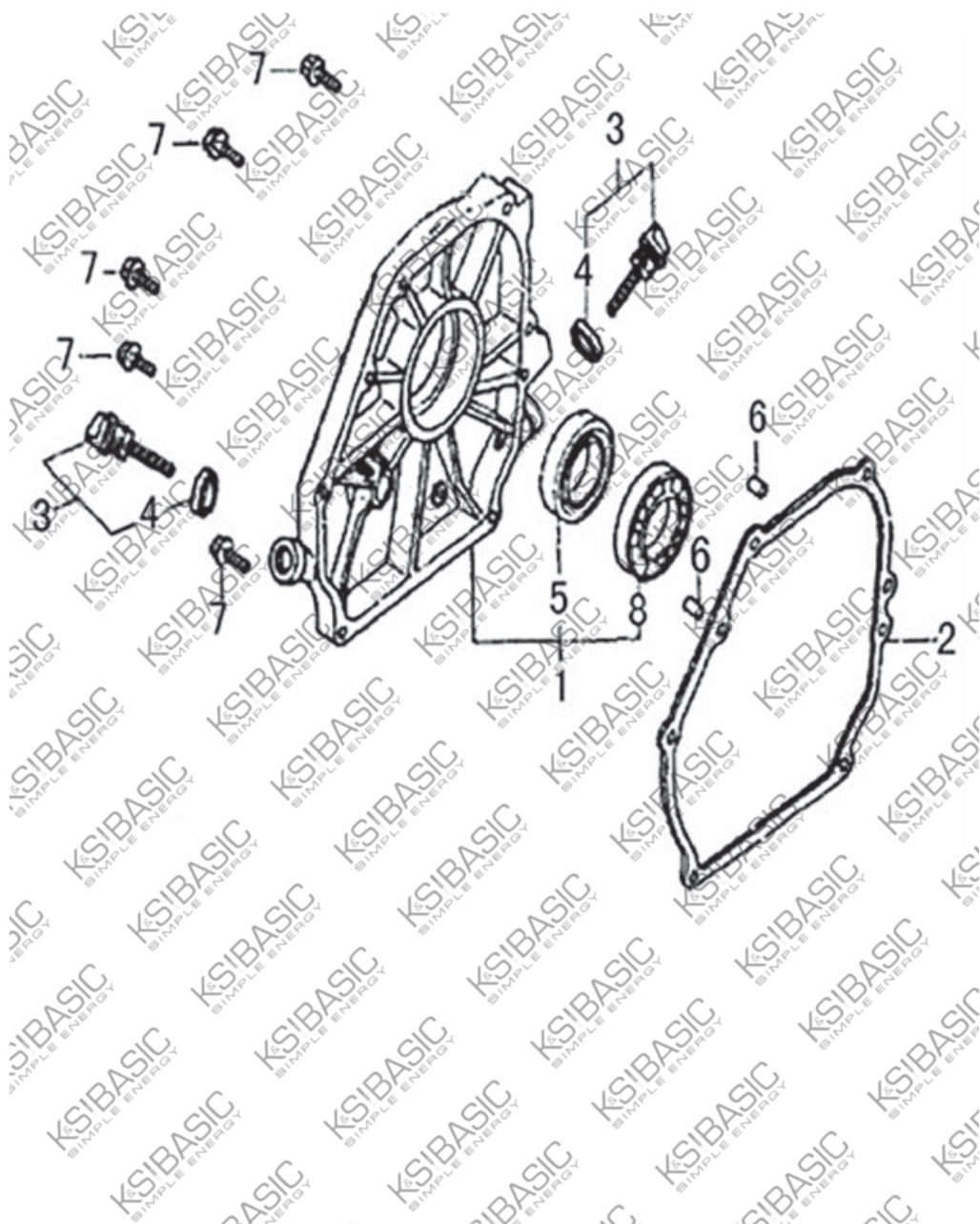
No	REF. No	DESCRIPTION	QTY
1	KSB 2800C-1.1	In valve guide	1
2	KSB 2800C-1.2	Ex valve guide	1
3	KSB 2800C-1.3	Cylinder Head	1
	KSB 2800C-1.3	Cylinder Head	1
4	KSB 2800C-1.4	Valve guide clip	1
5	KSB 2800C-1.5	Cylinder head gasket	1
	KSB 2800C-1.5	Cylinder head gasket	1
6	KSB 2800C-1.6	Head Cover,	1
7	KSB 2800C-1.7	Head Cover gasket	1
8	KSB 2800C-1.8	Recoil pipe	1
9	KSB 2800C-1.9	Gasket	1
10	KSB 2800C-1.10	Flange Bolt	4
11	KSB 2800C-1.11	Bolt	2
12	KSB 2800C-1.12	Bolt	2
13	KSB 2800C-1.13	Dowel pin	2
14	KSB 2800C-1.14	Flange Bolt	2
15	KSB 2800C-1.15	Spark Plug	1

2. CRANKCASE ASSY



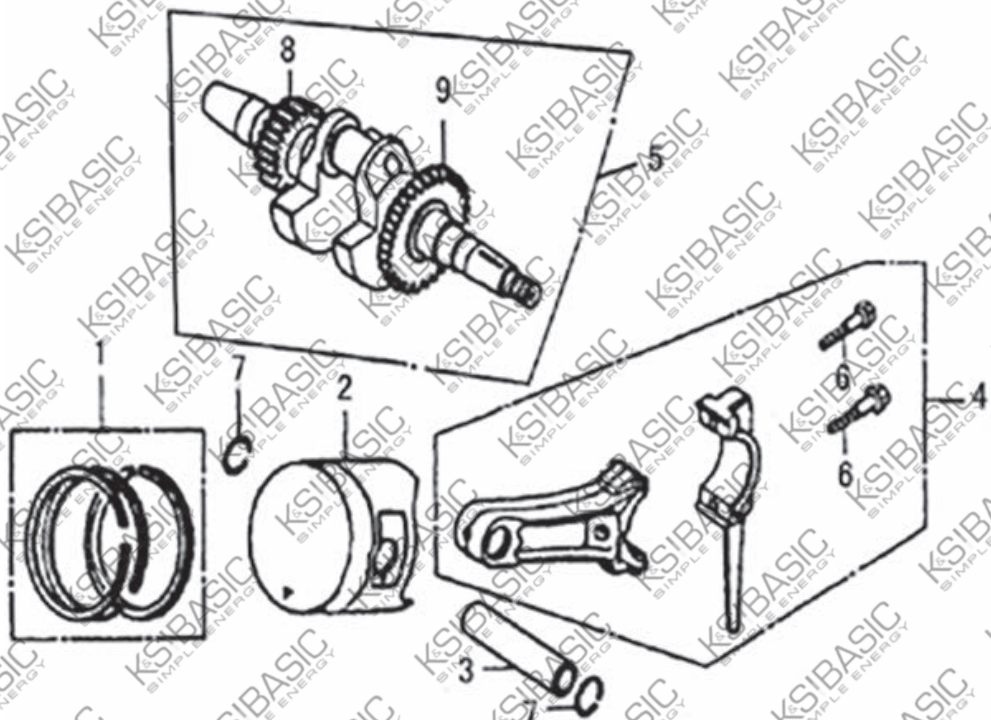
No	REF. No	DESCRIPTION	QTY
1	KSB 2800C-2.1	Governor kit	1
2	KSB 2800C-2.2	Crankcase assy	1
	KSB 2800C-2.2	Crankcase assy	1
3	KSB 2800C-2.3	Oil sensor	1
4	KSB 2800C-2.4	Governor assy	1
5	KSB 2800C-2.5	Flyweight	2
6	KSB 2800C-2.6	Adjust speed gear	1
7	KSB 2800C-2.7	Flyweight shaft	2
8	KSB 2800C-2.8	Adjust speed gear shaft	1
9	KSB 2800C-2.9	Governor shaft	1
10	KSB 2800C-2.10	Drain bolt	2
11	KSB 2800C-2.11	Washer	1
12	KSB 2800C-2.12	Washer	2
13	KSB 2800C-2.13	Governor holder clip	1
14	KSB 2800C-2.14	Bear (6205)	1
15	KSB 2800C-2.15	Oil seal	1
16	KSB 2800C-2.16	O ring	1
17	KSB 2800C-2.17	Nut (M10)	1
18	KSB 2800C-2.18	Washer	2
19	KSB 2800C-2.19	Lock pin	1
20	KSB 2800C-2.20	Bolt M6×12	2
21	KSB 2800C-2.21	Oil warning unit	1
22	KSB 2800C-2.22	Bolt M6×12	1

3. CRANKCASE COVER



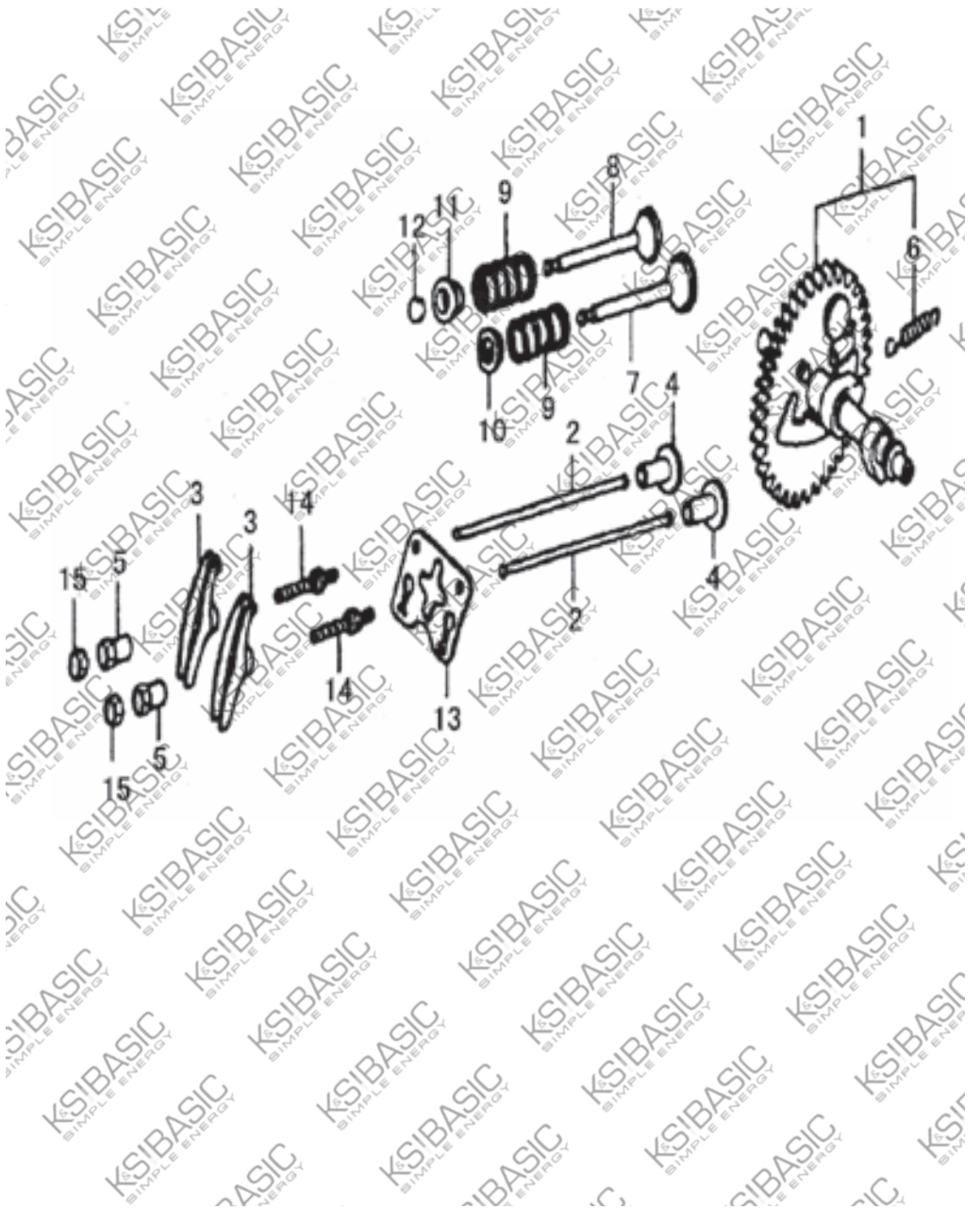
No	REF. No	DESCRIPTION	QTY
1	KSB 2800C-3.1	Crankcase cover assy	1
2	KSB 2800C-3.2	Case cover gasket	1
3	KSB 2800C-3.3	Oil level cap assy.	2
4	KSB 2800C-3.4	O ring	2
5	KSB 2800C-3.5	Oil seal	1
6	KSB 2800C-3.6	Dowel pin	2
7	KSB 2800C-3.7	Bolt	6
8	KSB 2800C-3.8	Bear (6205)	1

4. CRANKSHAFT PISTON



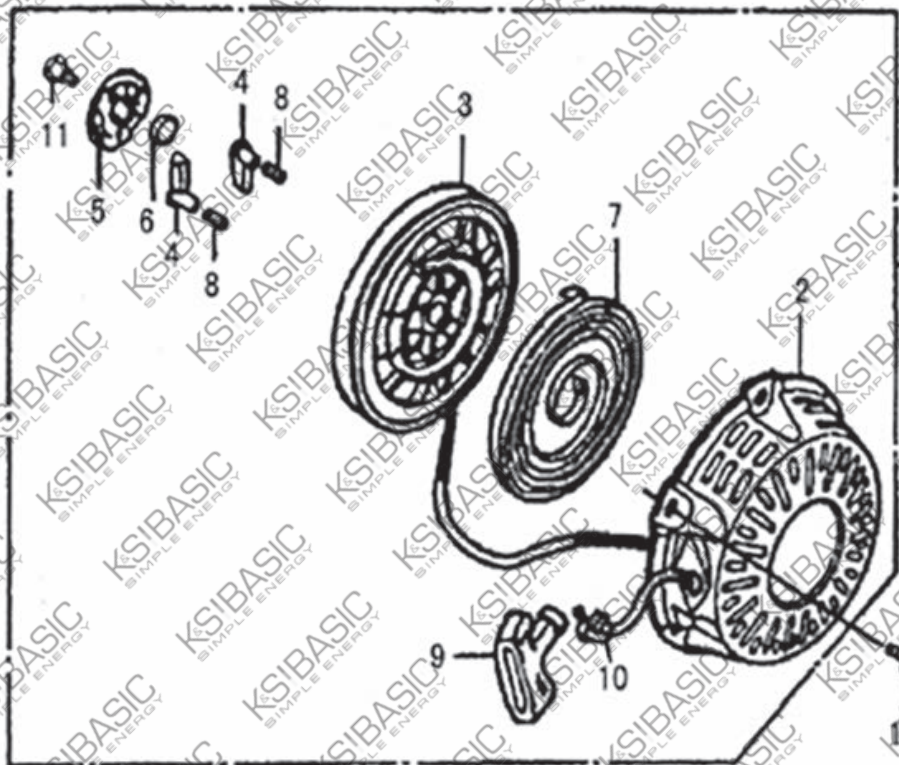
No	REF. No	DESCRIPTION	QTY
1	KSB 2800C-4.1	Piston ring	1
2	KSB 2800C-4.2	Piston	1
	KSB 2800C-4.2	Piston	1
3	KSB 2800C-4.3	Piston pin	1
4	KSB 2800C-4.4	Connecting rod	1
5	KSB 2800C-4.5	Crankshaft assy	1
6	KSB 2800C-4.6	Connecting rod bolt	2
7	KSB 2800C-4.7	Piston pin clip	2
8	KSB 2800C-4.8	Pinion	1
9	KSB 2800C-4.9	Gear	1

5. CAMSHAFT



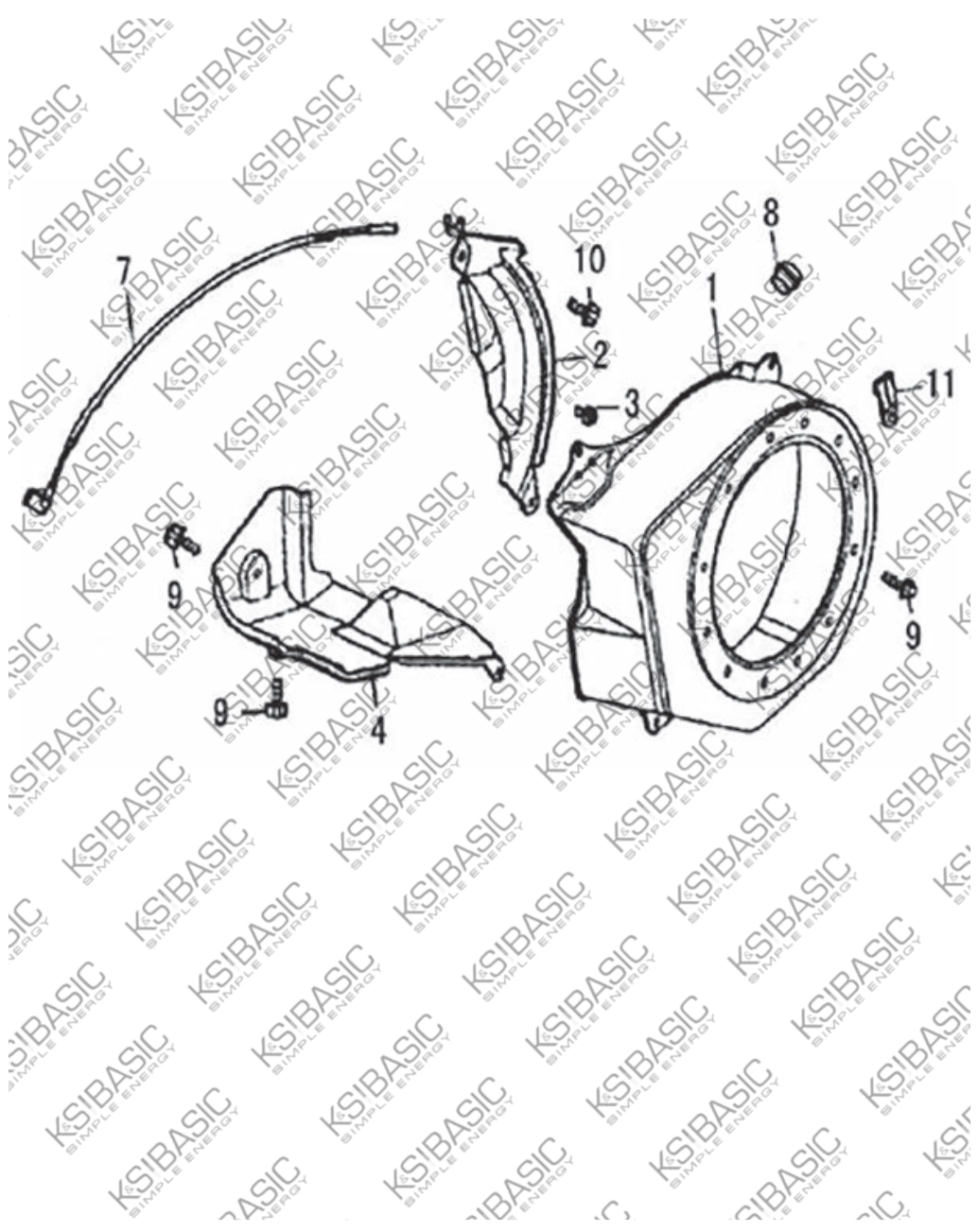
No	REF. No	DESCRIPTION	QTY
1	KSB 2800C-5.1	Camshaft assy	1
	KSB 2800C-5.1	Camshaft assy	1
2	KSB 2800C-5.2	Push rod	2
3	KSB 2800C-5.3	Valve rocker	2
4	KSB 2800C-5.4	Valve lifter	2
	KSB 2800C-5.4	Valve lifter	2
5	KSB 2800C-5.5	Rocker pivot	2
6	KSB 2800C-5.6	Weight return spring	1
7	KSB 2800C-5.7	Intake valve	1
8	KSB 2800C-5.8	Exhaust valve	1
9	KSB 2800C-5.9	Valve spring	2
10	KSB 2800C-5.10	Intake valve spring seat	1
11	KSB 2800C-5.11	Exhaust valve spring seat	1
12	KSB 2800C-5.12	Valve rotator	1
13	KSB 2800C-5.13	Rocker seat	1
14	KSB 2800C-5.14	Adjusters screw	2
15	KSB 2800C-5.15	Adjusting nut	2

6. RECOIL STARTER



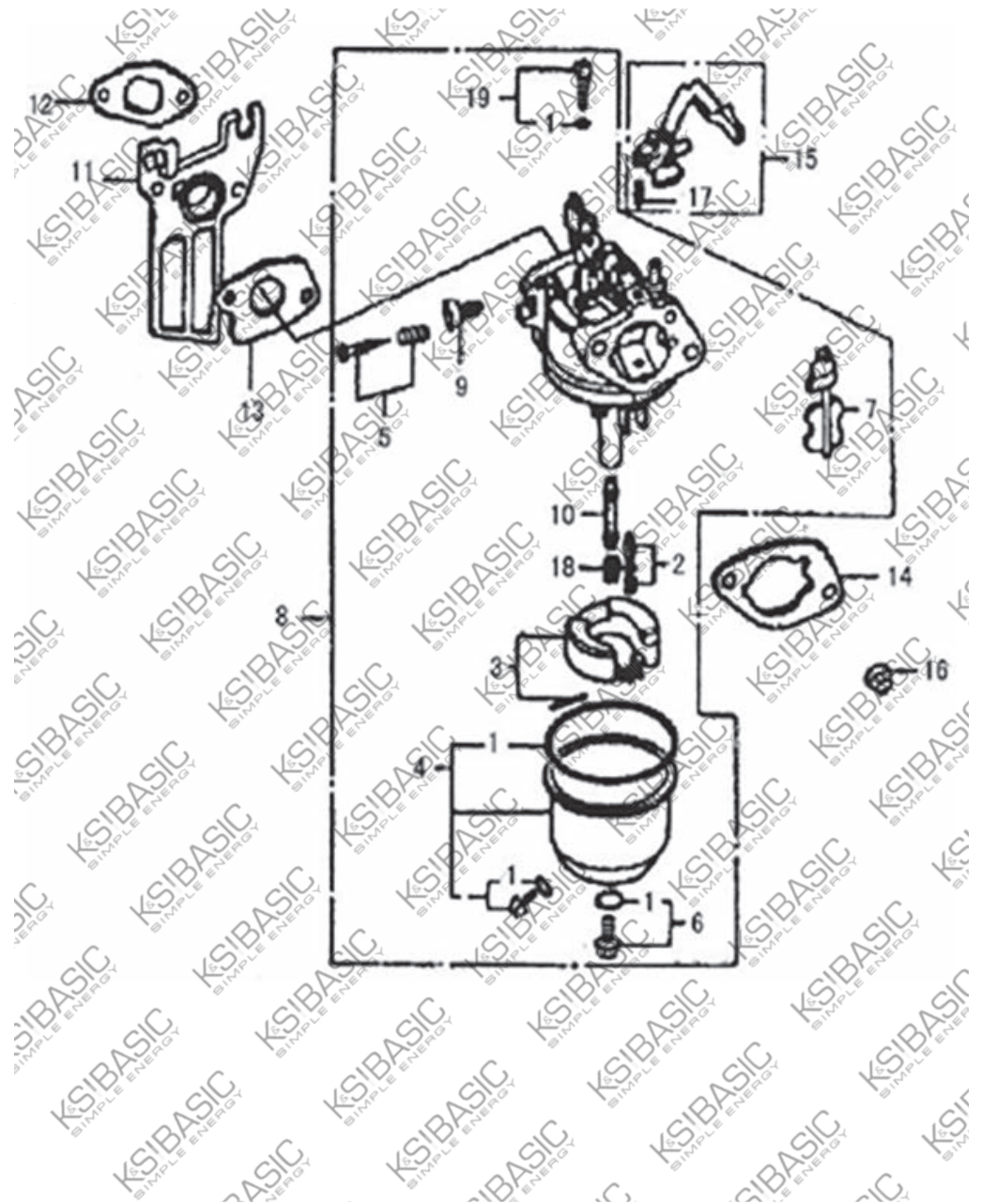
No	REF. No	DESCRIPTION	QTY
1	KSB 2800C-6.1	Recoil starter	1
2	KSB 2800C-6.2	Recoil starter case	1
3	KSB 2800C-6.3	Drum sheave	1
4	KSB 2800C-6.4	Drive pawls	2
5	KSB 2800C-6.5	Drive pawls guide	1
6	KSB 2800C-6.6	Clip	1
7	KSB 2800C-6.7	Starter spring	1
8	KSB 2800C-6.8	Return spring	2
9	KSB 2800C-6.9	Handle	1
10	KSB 2800C-6.10	Recoil starter rope	1
11	KSB 2800C-6.11	Screw	1
12	KSB 2800C-6.12	Flange bolt	3

7. FLYWHEELCOVER



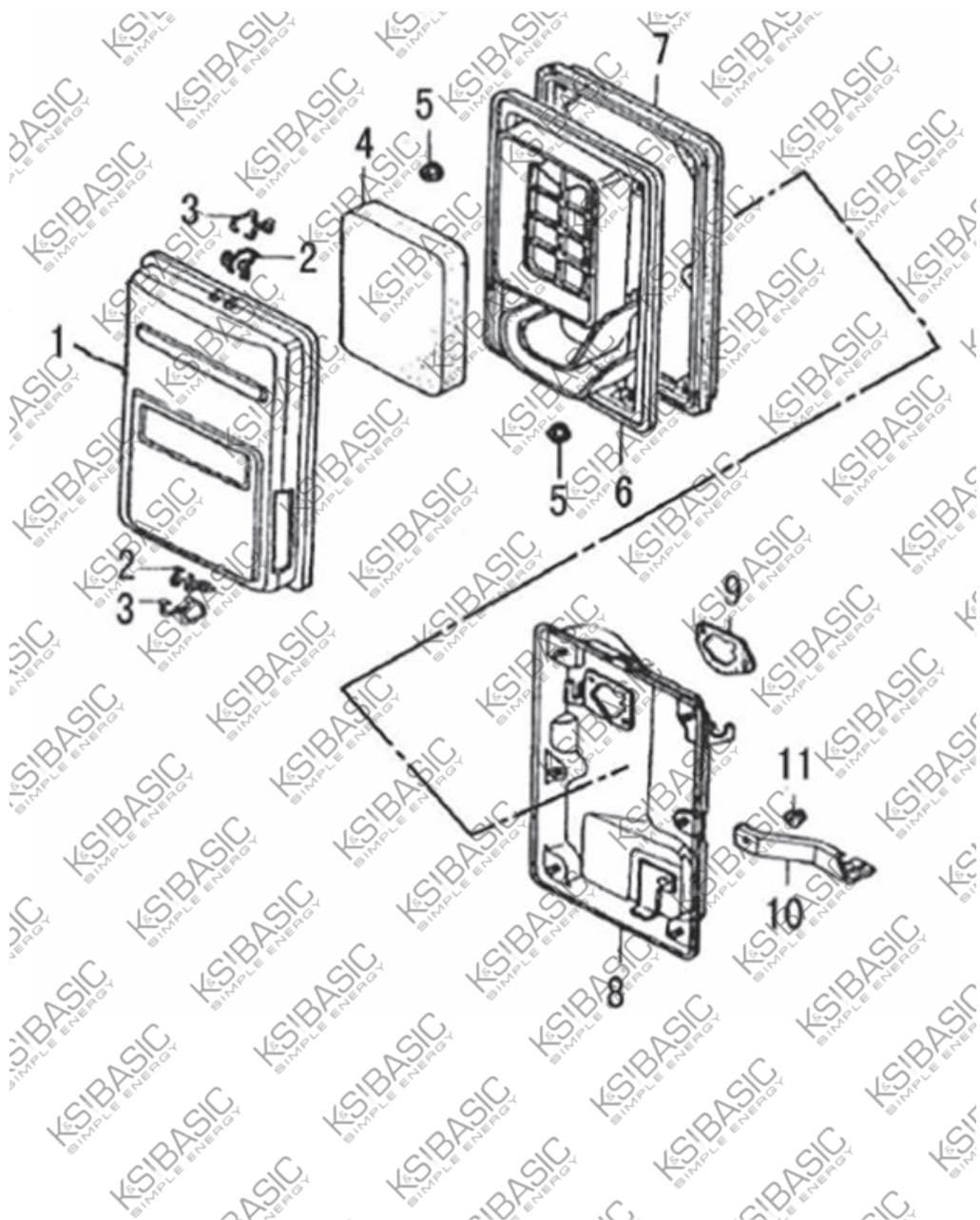
No	REF. No	DESCRIPTION	QTY
1	KSB 2800C-7.1	Flywheel cover	1
2	KSB 2800C-7.2	Side plate	1
3	KSB 2800C-7.3	Cord clamp	1
4	KSB 2800C-7.4	Air shroud	1
7	KSB 2800C-7.7	Cord	1
8	KSB 2800C-7.8	Drain hole grommet	1
9	KSB 2800C-7.9	Bolt M6×12	6
10	KSB 2800C-7.10	Bolt M6×20	1
11	KSB 2800C-7.11	Wire clip	1

8. CARBURETOR



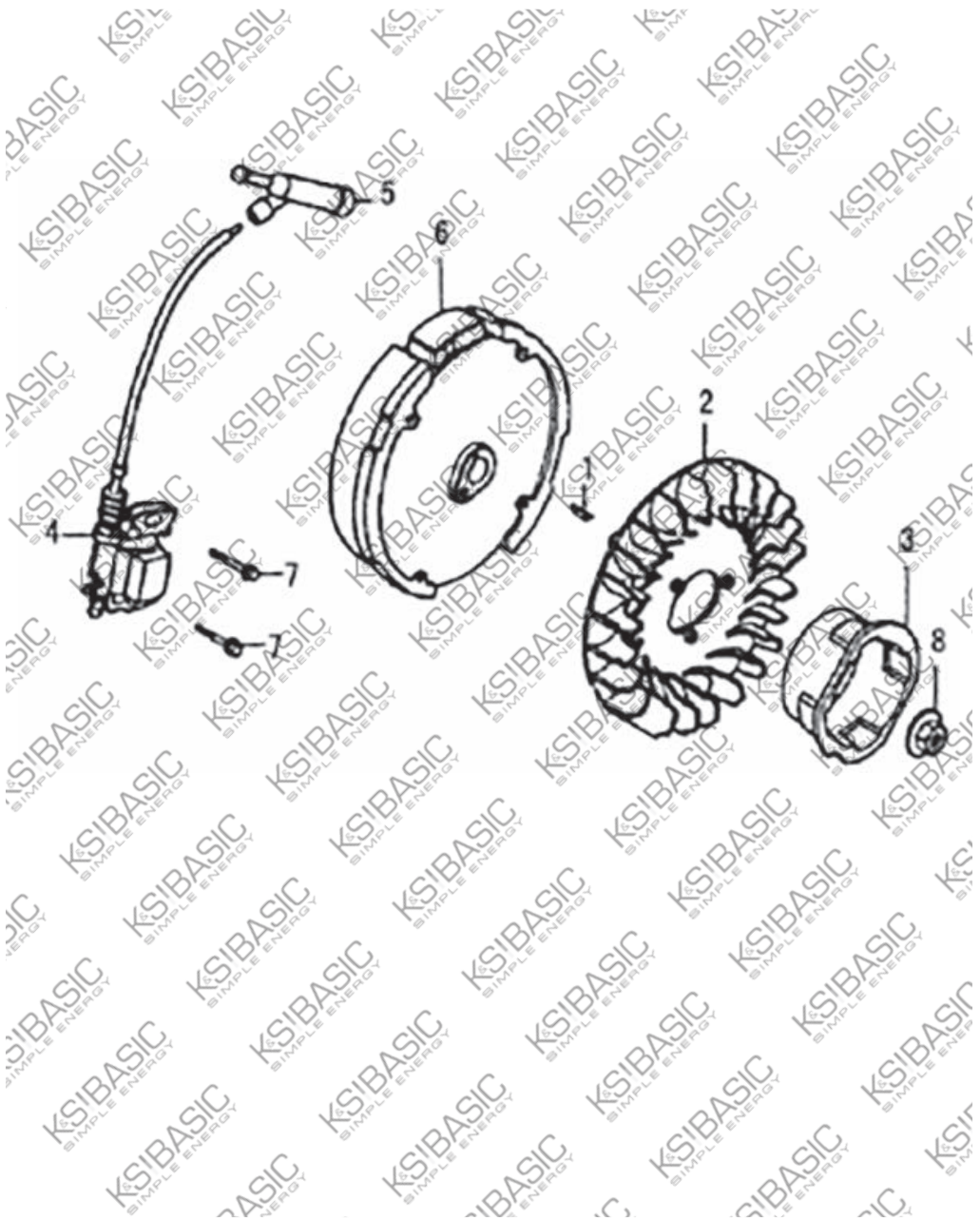
No	REF. No	DESCRIPTION	QTY
1	KSB 2800C-8.1	Gasket	1
2	KSB 2800C-8.2	Needle assembly	1
3	KSB 2800C-8.3	Float	1
4	KSB 2800C-8.4	Float chamber body	1
5	KSB 2800C-8.5	Pilot screw	1
6	KSB 2800C-8.6	Drain screw	1
7	KSB 2800C-8.7	Choke	1
8	KSB 2800C-8.8	Carburetor	1
	KSB 2800C-8.8	Carburetor	1
9	KSB 2800C-8.9	Adjusting screw	1
10	KSB 2800C-8.10	Main nozzle	1
11	KSB 2800C-8.11	Carburetor insulator	1
12	KSB 2800C-8.12	Carburetor packing A	1
13	KSB 2800C-8.13	Carburetor packing B	1
14	KSB 2800C-8.14	Air cleaner packing	1
15	KSB 2800C-8.15	Choke lever	1
16	KSB 2800C-8.16	Nut	2
17	KSB 2800C-8.17	Spring pin	1
18	KSB 2800C-8.18	Pilot jet	1
19	KSB 2800C-8.19	Main jet	1

9. AIR CLEANER



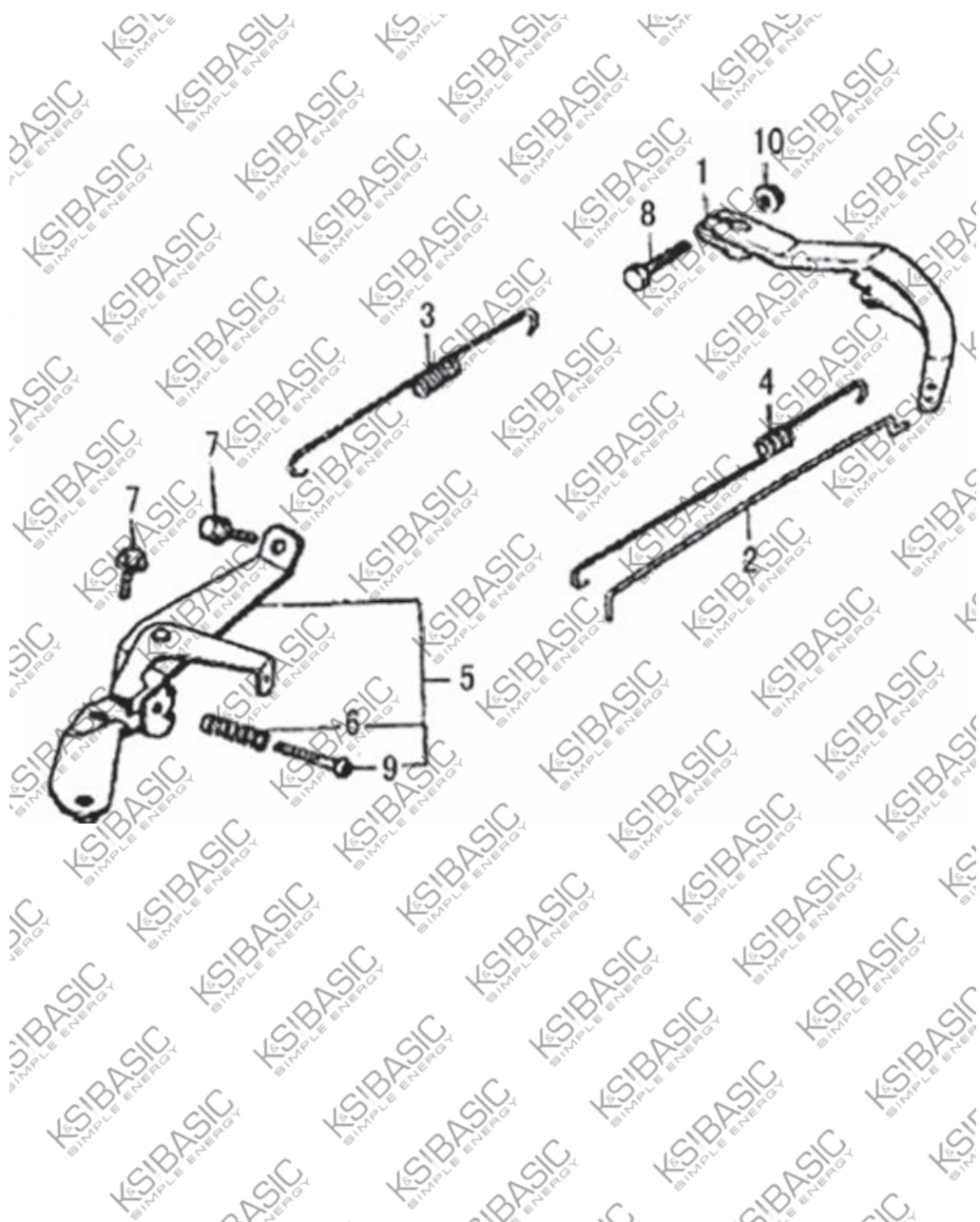
No	REF. No	DESCRIPTION	QTY
1	KSB 2800C-9.1	Air cleaner cover	2
2	KSB 2800C-9.2	Air clean clip A	2
3	KSB 2800C-9.3	Air clean clip B	2
4	KSB 2800C-9.4	Element	1
5	KSB 2800C-9.5	Nut M5	4
6	KSB 2800C-9.6	Air cleaner separator	1
7	KSB 2800C-9.7	Air cleaner seal	1
8	KSB 2800C-9.8	Air cleaner case	1
9	KSB 2800C-9.9	Gasket	1
10	KSB 2800C-9.10	Air cleaner holder	1
11	KSB 2800C-9.11	Bolt M6×10	1

10. FLYWHEEL



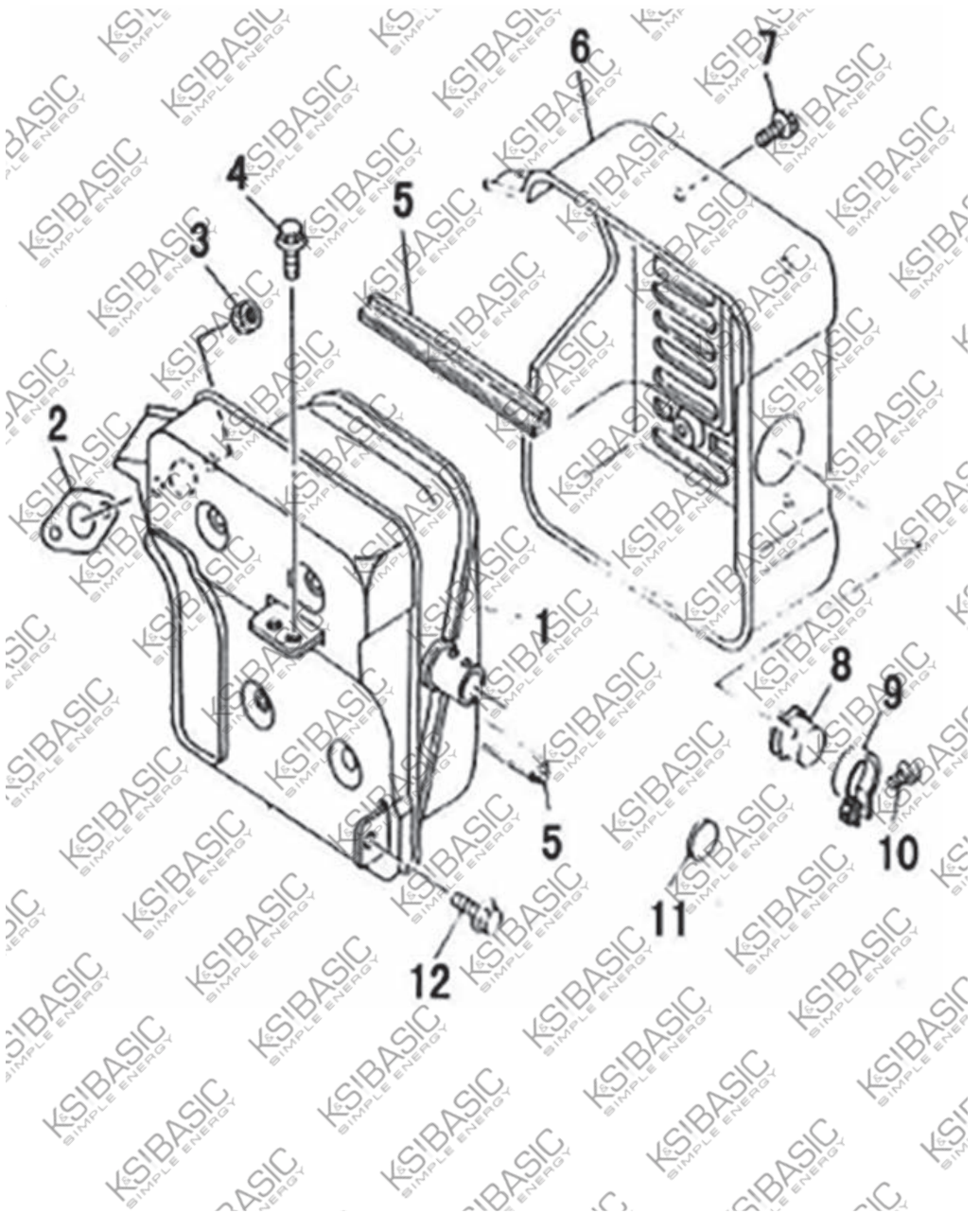
No	REF. No	DESCRIPTION	QTY
1	KSB 2800C-10.1	Semicircle key	1
2	KSB 2800C-10.2	Fan	1
3	KSB 2800C-10.3	Starter pulley	1
4	KSB 2800C-10.4	Ignition coil assy.	1
5	KSB 2800C-10.5	Spark plug cap	1
6	KSB 2800C-10.6	flywheel	1
7	KSB 2800C-10.7	Bolt M6×25	2
8	KSB 2800C-10.8	Nut M14	1

11. GOVERNOR



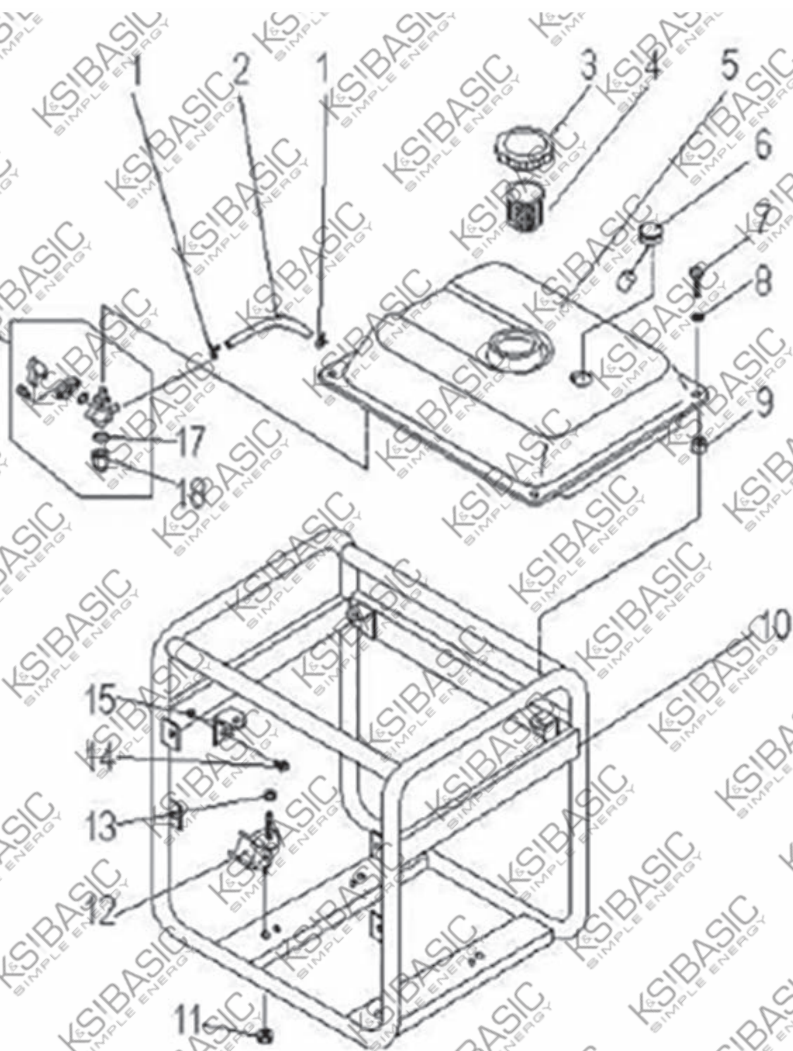
No	REF. No	DESCRIPTION	QTY
1	KSB 2800C-11.1	Governor arm	1
	KSB 2800C-11.1	Governor arm	1
2	KSB 2800C-11.2	Link rod	1
3	KSB 2800C-11.3	Governor spring	1
4	KSB 2800C-11.4	Spring	1
5	KSB 2800C-11.5	Governor	1
6	KSB 2800C-11.6	Governor adjusting spring	1
7	KSB 2800C-11.7	Bolt M6×12	2
8	KSB 2800C-11.8	Governor arm bolt	1
9	KSB 2800C-11.9	Screw M5×35	2
10	KSB 2800C-11.10	Nut M6	1

12. MUFFLER



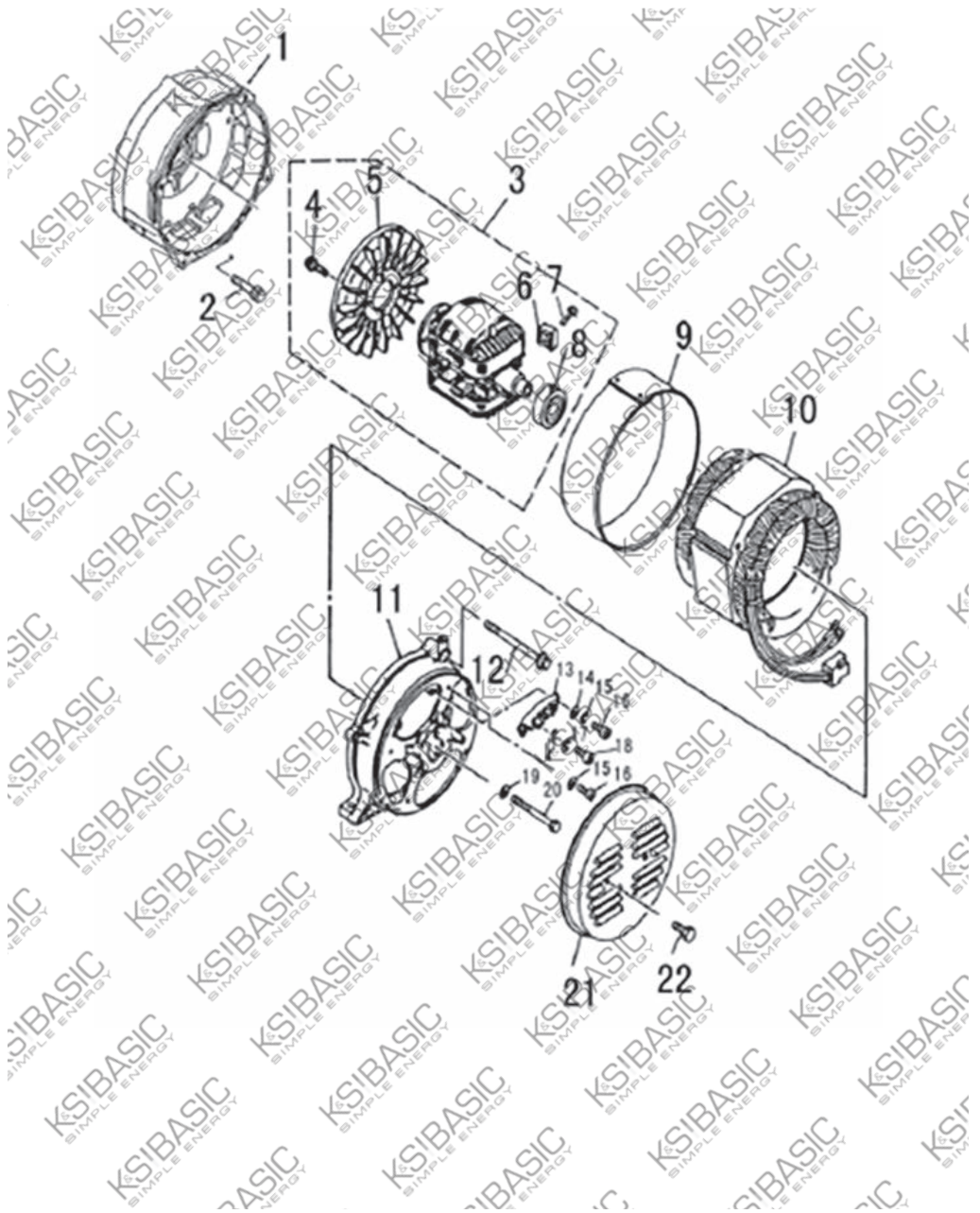
No	REF. No	DESCRIPTION	QTY
1	KSB 2800C-12.1	Muffler	1
2	KSB 2800C-12.2	Exhaust pipe gasket	1
3	KSB 2800C-12.3	Nut M8	2
4	KSB 2800C-12.4	Bolt M6×16	1
5	KSB 2800C-12.5	Muffler protector seal	2
6	KSB 2800C-12.6	Protector assy	1
7	KSB 2800C-12.7	Bolt M6×10	4
8	KSB 2800C-12.8	Exhaust cover	1
9	KSB 2800C-12.9	Clasp	1
10	KSB 2800C-12.10	Bolt	1
11	KSB 2800C-12.11	Net	1
12	KSB 2800C-12.12	Bolt M6×16	1

13. FUELTANK FRAME



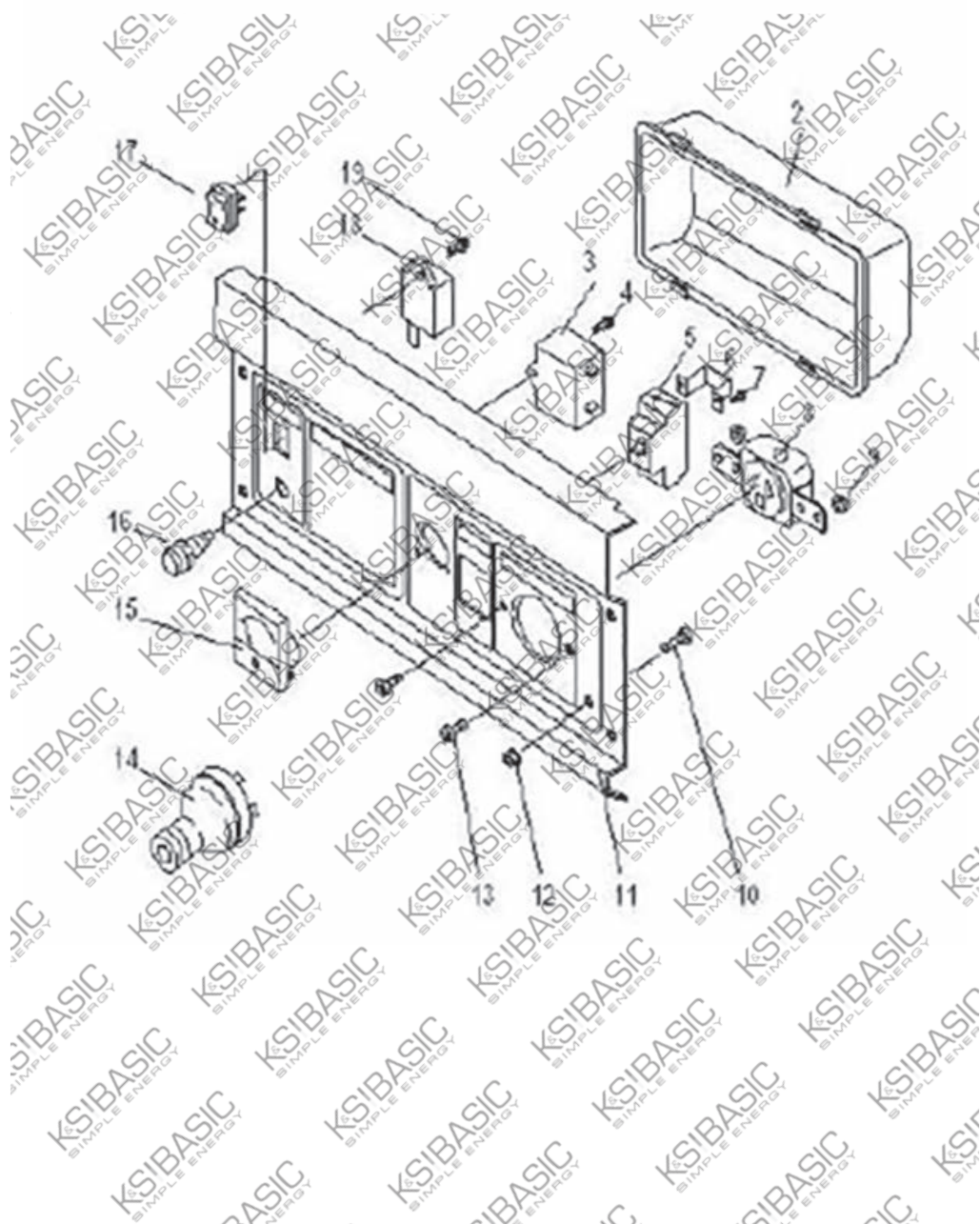
No	REF. No	DESCRIPTION	QTY
1	KSB 2800C-13.1	Clip	2
2	KSB 2800C-13.2	Fuel hose	1
3	KSB 2800C-13.3	Fuel cap	1
4	KSB 2800C-13.4	Fuel filter	1
5	KSB 2800C-13.5	Fuel tank	1
6	KSB 2800C-13.6	Fuel level gauge	1
7	KSB 2800C-13.7	Bolt	4
8	KSB 2800C-13.8	Washer	4
9	KSB 2800C-13.9	Rubber	4
10	KSB 2800C-13.10	Frame assy	1
	KSB 2800C-13.10	Frame assy	1
11	KSB 2800C-13.11	Nut M8	4
12	KSB 2800C-13.12	Vibration absorber	4
13	KSB 2800C-13.13	Nut M8	4
14	KSB 2800C-13.14	Bolt M6×16	2
15	KSB 2800C-13.15	Holder	1
16	KSB 2800C-13.16	Fuel cock	1
17	KSB 2800C-13.17	Strainer	1
18	KSB 2800C-13.18	Fuel petcock cup	1

14. GENERATOR



No	REF. No	DESCRIPTION	QTY
1	KSB 2800C-14.1	Front Cover	1
2	KSB 2800C-14.2	Flange Bolt M8×25	4
3	KSB 2800C-14.3	Rotor Assy	1
	KSB 2800C-14.3	Rotor Assy	1
4	KSB 2800C-14.4	Bolt M6×16	4
5	KSB 2800C-14.5	Fan blade	1
6	KSB 2800C-14.6	Rectifier	1
7	KSB 2800C-14.7	Bolt M3×14	1
8	KSB 2800C-14.8	Bearing 6203	1
9	KSB 2800C-14.9	Stator cover	1
	KSB 2800C-14.9	Stator cover	1
10	KSB 2800C-14.10	Stator Assy	1
	KSB 2800C-14.10	Stator Assy	1
11	KSB 2800C-14.11	Rear Cover	1
12	KSB 2800C-14.12	Flange Bolt M6×95	4
	KSB 2800C-14.12	Flange Bolt M6×110	4
13	KSB 2800C-14.13	Plate	1
14	KSB 2800C-14.14	Washer	2
15	KSB 2800C-14.15	Washer	2
16	KSB 2800C-14.16	Bolt M6×16	2
17	KSB 2800C-14.17	Washer (copper)	8
18	KSB 2800C-14.18	Bolt M6×16(copper)	4
19	KSB 2800C-14.19	Washer	1
20	KSB 2800C-14.20	Bolt M8×190	1
	KSB 2800C-14.20	Bolt M8×205	1
21	KSB 2800C-14.21	End Cover	1
22	KSB 2800C-14.22	Bolt M6×10	2

15. CONTROL PANEL



No	REF. No	DESCRIPTION	QTY
2	KSB 2800C-15.2	Back cover	1
3	KSB 2800C-15.3	Capacitor 20uf/450V	1
4	KSB 2800C-15.4	Screw M5×12	1
5	KSB 2800C-15.5	AC circuit breaker	1
6	KSB 2800C-15.6	Clasp	1
7	KSB 2800C-15.7	Screw M4×10	2
8	KSB 2800C-15.8	AC socket	1
9	KSB 2800C-15.9	Nut M4	2
10	KSB 2800C-15.10	Bolt M6×20 (copper)	1
11	KSB 2800C-15.11	Control panel	1
	KSB 2800C-15.11	Control panel	1
12	KSB 2800C-15.12	Nut M6 (copper)	2
13	KSB 2800C-15.13	Screw M4×10	2
14	KSB 2800C-15.14	AC plug	1
15	KSB 2800C-15.15	Voltmeter	1
16	KSB 2800C-15.16	Oil warning light	1
17	KSB 2800C-15.17	Engine switch	1
18	KSB 2800C-15.18	Oil warning unit	1
19	KSB 2800C-15.19	Screw M5×20	1

CONTACTS

Germany

ks-power.de

info@dimaxgroup.de

Poland

ks-power.pl

info.pl@dimaxgroup.de

Ukraine

ks-power.com.ua

sales@ks-power.com.ua

Russia

ks-power.ru

info@ks-power.ru